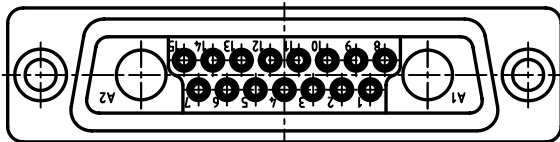
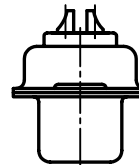
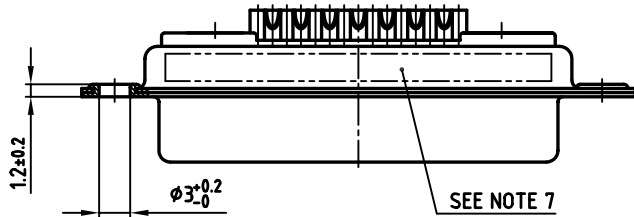
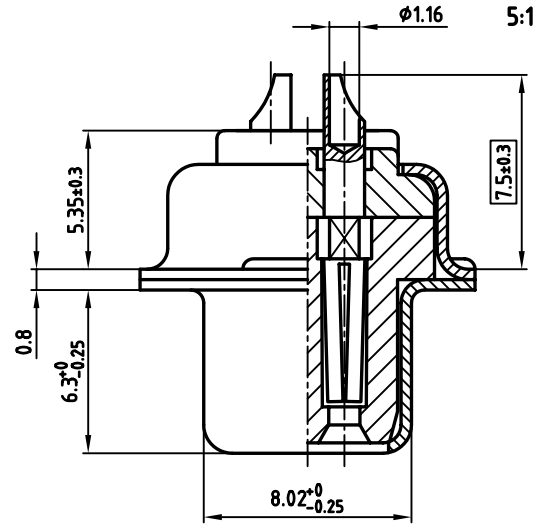
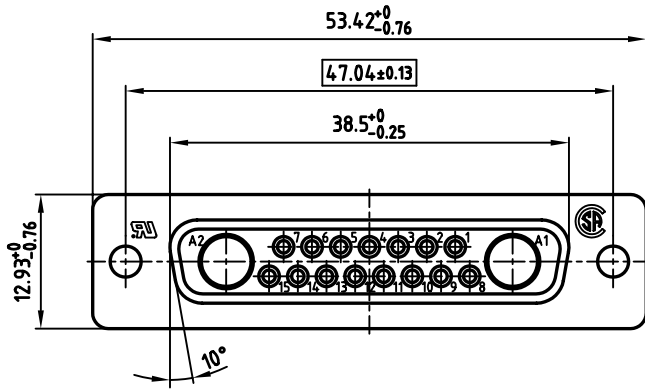


used for: D-SUB COMBINATION



NOTES:

1. METALSHELLS: STEEL; min. 320µ" TIN
2. INSULATORS: PBT GF UL 94 V-0, GREEN
3. SIGNAL CONTACTS: COPPER ALLOY
4. PLATING: min. 30µ" HARD GOLD OVER min. 50µ" NICKEL
5. SOLDER CUP ACCEPTS CABLE AWG 20
6. NO CONTACTS ON POS A1 + A2
7. CONNECTOR IS PART MARKED: PART NO: CONEC Y/W/W
8. = CRITICAL DIMENSION: SPC

PART-NO.	CFM PART-NO.
3017W2SCM99A10X	CFMP17W2S-K121

THIS DRAWING MAY NOT BE COPIED OR REPRODUCED IN ANY WAY, AND MAY NOT BE PASSED ON TO A THIRD PARTY, WITHOUT WRITTEN PERMISSION. OWNERSHIP AND COPYRIGHT OF CONEC GmbH DO NOT ALTER CAD DRAWING BY HAND

rev.	description	date	name

tolerance		scale:	2:1 (5:1)
drawn	02.08. Schmidt	material:	SEE NOTES
appd.	02.08. E. Mickenbecker	title:	D-SUB COMBINATION FEMALE 17W2S SOLDER CUP
norm		dwg no:	AutoCAD 2000
d-old		part no:	13K1A664
			DIN-A
			3
			sh: 1/1
			SEE TABLE

Directive 2002/95/EC
 „RoHS“
 Compliant