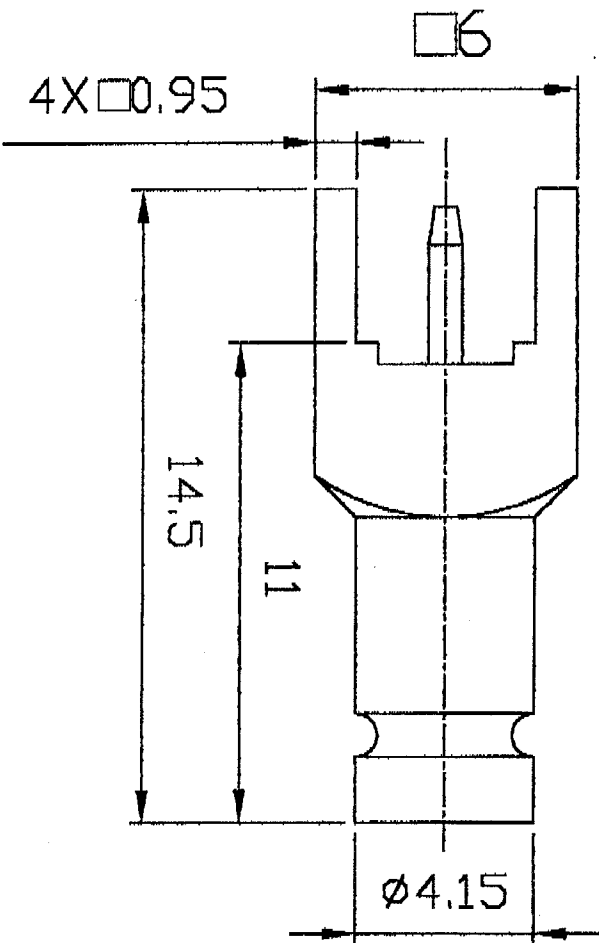
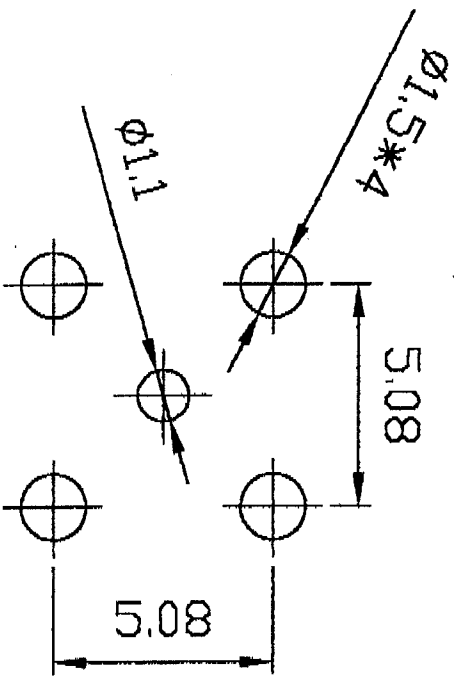


APPROVED: _____
 DATE: _____ TITLE: _____

Rev	AWO #	Description	Date	Appr
-	5793	RELEASED	11/16/05	

HOLE PATTERN



SPECIFICATIONS:

Material:
 Insulator: Teflon, color white
 Body: Brass, Gold plated over Nickel
 Pin: Brass, Gold plated
 Electrical:
 Nominal Impedance: 50 ohms
 Environmental:
 Lead free, RoHS compliant.



UNLESS OTHERWISE SPECIFIED
 ALL DIMENSIONS ARE INCHES [MM]
 TOLERANCES: EXCEPT AS NOTED
 INCHES: .10 .020 .015
 .XX ± .10 ØXX ± .10
 .XXX ± .015 ØXXX ± .010

ADAM TECH
 909 Railway Avenue, Union, NJ 07083
 Phone: 908-687-5000 Fax: 908-687-5710

TITLE: FEMALE 1.0/2.3 VERTICAL, PCB

APPROVALS	DATE
DRAWN SS	11/16/05
CHECKED	
APPROVED	

SIZE	PART NO.	SCALE	SHEET	OF	REV.
X	RF25-02-T-00-50-G	NTS	1	1	-