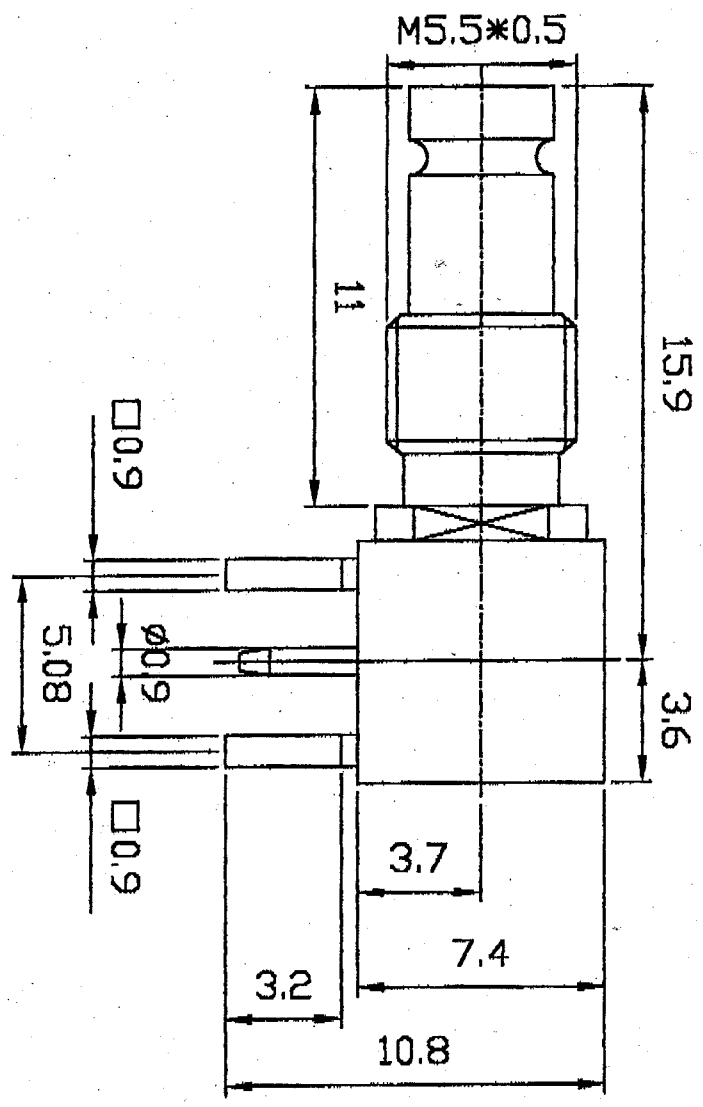
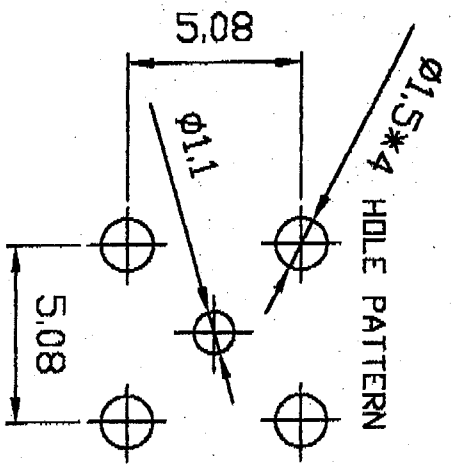


APPROVED: _____
 DATE: _____ TITLE: _____

Rev	AWO #	Description	Date	Appr
-	5366	RELEASED	11/4/05	



SPECIFICATIONS:

Material:

1. Body: Brass Gold plated
2. Body: Brass Gold plated
3. Insulator: Teflon, color white
4. Insulator: Teflon, color white
5. Pin: Brass Gold plated

Electrical:

Nominal Impedance: 50 ohms

Environmental:

Lead free, RoHS compliant.



UNLESS OTHERWISE SPECIFIED
 ALL DIMENSIONS ARE INCHES [MM]
 TOLERANCES: EXCEPT AS NOTED
 INCHES: Holes $\pm .10$
 X $\pm .10$ ϕ XX $\pm .10$
 XX $\pm .020$ ϕ XXX $\pm .015$
 XXX $\pm .015$ ϕ XXX $\pm .010$

ADAM TECH
 909 Railway Avenue, Union, NJ 07083
 Phone: 908-687-5000 Fax: 908-687-5710

TITLE: RF SOCKET, RIGHT ANGLE

APPROVALS	DATE
DRAWN SS	11/4/05
CHECKED	
APPROVED	

SIZE	PART NO.	REV.
X	RF25-01-T-00-50-G	-
REF:	SCALE: NTS	SHEET 1 OF 1