



POWER SUPPLY

- AC 200-240V Regional Input
- Cost Optimized without Compromising Quality or Reliability.
- Width only 39mm
- Efficiency up to 90.5%
- Low No-load Power Losses
- Full Power Between -10°C and +55°C
- DC-OK Relay Contact Included
- 3 Year Warranty

GENERAL DESCRIPTION

These PIANO series units are extraordinarily compact, industrial grade power supplies that focus on the essential features needed in today's industrial applications. The excellent cost/performance ratio presents many new and exciting opportunities without compromising quality or reliability.

The mechanically robust housing is made of a high-grade, reinforced molded material, which permits the units to be used in surrounding temperatures up to 70°C.

Since typical industrial applications do not require multiple mains inputs, the reduction to a regional input voltage range (AC 200-240V) simplifies the circuitry and has significant advantages for reliability, efficiency and cost.

The addition of a DC-OK signal makes the unit suitable for many industry applications such as: process, automation and many other critical applications where preventive function monitoring can help to avoid long downtimes.

SHORT-FORM DATA

| | | |
|-------------------|----------------|-------------------|
| Output voltage | DC 24V | |
| Adjustment range | 24 - 28V | |
| Output current | 5A | at 24V, amb <55°C |
| | 3.1A | at 24V, amb <70°C |
| | 4.3A | at 28V, amb <55°C |
| | 2.7A | at 28V, amb <70°C |
| Output power | 120W | ambient <55°C |
| | 75W | ambient <70°C |
| Output ripple | < 100mVpp | 20Hz to 20MHz |
| AC Input voltage | AC 200-240V | ±10% |
| Mains frequency | 50-60Hz | ±6% |
| AC Input current | 1.06A | at 230Vac |
| Power factor | 0.54 | at 230Vac |
| AC Inrush current | 28A peak | at 230Vac |
| Efficiency | 90.5% | at 230Vac |
| Losses | 12.6W | at 230Vac |
| Temperature range | -10°C to +70°C | operational |
| Derating | 3W/°C | +55 to +70°C |
| Hold-up time | 33ms | at 230Vac |
| Dimensions | 39x124x124mm | WxHxD |
| Weight | 350g / 0.77lb | |

ORDER NUMBERS

| | | |
|--------------|-----------------------|--|
| Power Supply | PIC120.241C | 24-28V Standard unit with DC-OK contact |
| | PIC120.242C | 24-28V Standard unit without DC-OK contact |
| Accessory | YR2.DIODE UF20.241 | Redundancy module Buffer Module |

MARKINGS





INDEX

| | Page | | Page |
|---------------------------------------|------|--|------|
| 1. Intended Use | 3 | 19. Approvals | 16 |
| 2. Installation Requirements..... | 3 | 20. RoHS, REACH and Other Fulfilled Standards .. | 16 |
| 3. AC-Input..... | 4 | 21. Physical Dimensions and Weight | 17 |
| 4. DC-Input..... | 5 | 22. Accessory..... | 18 |
| 5. Input Inrush Current | 5 | 22.1. UF20.241 Buffer module | 18 |
| 6. Output | 6 | 22.2. YR2.DIODE Redundancy Module..... | 18 |
| 7. Hold-up Time..... | 7 | 23. Application Notes..... | 19 |
| 8. DC-OK Relay Contact | 7 | 23.1. Peak Current Capability | 19 |
| 9. Efficiency and Power Losses..... | 8 | 23.2. Back-feeding Loads | 19 |
| 10. Lifetime Expectancy and MTBF..... | 8 | 23.3. External Input Protection..... | 20 |
| 11. Functional Diagram..... | 9 | 23.4. Parallel Use to Increase Output Power.... | 20 |
| 12. Terminals and Wiring..... | 10 | 23.5. Parallel Use for Redundancy | 20 |
| 13. Front Side and User Elements..... | 11 | 23.6. Series Operation | 21 |
| 14. EMC..... | 12 | 23.7. Inductive and Capacitive Loads..... | 21 |
| 15. Environment | 13 | 23.8. Charging of Batteries | 21 |
| 16. Protection Features | 14 | 23.9. Operation on Two Phases | 22 |
| 17. Safety Features | 14 | 23.10. Use in a Tightly Sealed Enclosure | 22 |
| 18. Dielectric Strength | 15 | | |

The information presented in this document is believed to be accurate and reliable and may change without notice. No part of this document may be reproduced or utilized in any form without permission in writing from the publisher.

TERMINOLOGY AND ABBREVIATIONS

| | |
|--|---|
| PE and  symbol | PE is the abbreviation for Protective Earth and has the same meaning as the symbol  . |
| Earth, Ground | This document uses the term "earth" which is the same as the U.S. term "ground". |
| T.b.d. | To be defined, value or description will follow later. |
| AC 230V | A figure displayed with the AC or DC before the value represents a nominal voltage with standard tolerances (usually $\pm 15\%$) included. E.g.: DC 12V describes a 12V battery disregarding whether it is full (13.7V) or flat (10V) |
| 230Vac | A figure with the unit (Vac) at the end is a momentary figure without any additional tolerances included. |
| 50Hz vs. 60Hz | As long as not otherwise stated, AC 230V parameters are valid at 50Hz mains frequency. |
| may | A key word indicating flexibility of choice with no implied preference. |
| shall | A key word indicating a mandatory requirement. |
| should | A key word indicating flexibility of choice with a strongly preferred implementation. |

1. INTENDED USE

This device is designed for installation in an enclosure and is intended for the general professional use such as in industrial control, office, communication, and instrumentation equipment.

Do not use this power supply in equipment, where malfunction may cause severe personal injury or threaten human life.

2. INSTALLATION REQUIREMENTS

This device may only be installed and put into operation by qualified personnel.

This device does not contain serviceable parts. The tripping of an internal fuse is caused by an internal defect.

If damage or malfunction should occur during installation or operation, immediately turn power off and send unit to the factory for inspection.

Mount the unit on a DIN-rail so that the input terminals are located on the bottom of the unit.

This device is designed for convection cooling and does not require an external fan. Do not obstruct airflow and do not cover ventilation grid (e.g. cable conduits) by more than 15%!

Keep the following installation clearances: 40mm on top, 20mm on the bottom, 5mm on the left and right sides are recommended when the device is loaded permanently with more than 50% of the rated power. Increase this clearance to 15mm in case the adjacent device is a heat source (e.g. another power supply).

A disconnecting means shall be provided for the output of the power supplies when used in applications according to CSA C22.2 No 107.1-01.

⚠ WARNING Risk of electrical shock, fire, personal injury or death.

- Do not use the power supply without proper grounding (Protective Earth). Use the terminal on the input block for earth connection.
- Turn power off before working on the device. Protect against inadvertent re-powering.
- Make sure that the wiring is correct by following all local and national codes.
- Do not modify or repair the unit.
- Do not open the unit as high voltages are present inside.
- Use caution to prevent any foreign objects from entering the housing.
- Do not use in wet locations or in areas where moisture or condensation can be expected.
- Do not touch during power-on, and immediately after power-off. Hot surfaces may cause burns.

3. AC-INPUT

| | | | |
|---------------------------------|--------------------------------------|-------------|---|
| AC input | nom. | AC 200-240V | suitable for TN-, TT- and IT mains networks |
| AC input range | min. | 180-264Vac | continuous operation |
| | min. | 264-300Vac | < 500ms |
| Allowed voltage L or N to earth | max. | 300Vac | continuous, IEC 62103 |
| Input frequency | nom. | 50–60Hz | ±6% |
| Turn-on voltage | typ. | 162Vac | steady-state value, see Fig. 3-1 |
| Shut-down voltage | typ. | 100Vac | at 24V 0A, steady-state value, see Fig. 3-1 |
| | typ. | 130Vac | at 24V 5A, steady-state value, see Fig. 3-1 |
| External input protection | See recommendations in chapter 23.3. | | |

AC 230V

| | | | |
|-----------------------------|------|-------|--|
| Input current | typ. | 1.06A | at 24V, 5A, see Fig. 3-3 |
| Power factor ^{*)} | typ. | 0.54 | at 24V, 5A, see Fig. 3-4 |
| Crest factor ^{**)} | typ. | 4 | at 24V, 5A |
| Start-up delay | typ. | 75ms | see Fig. 3-2 |
| Rise time | typ. | 30ms | at 24V, 5A const. current load, 0mF load capacitance, see Fig. 3-2 |
| | typ. | 90ms | at 24V, 5A const. current load, 5mF load capacitance, see Fig. 3-2 |
| Turn-on overshoot | max. | 200mV | see Fig. 3-2 |

*) The power factor is the ratio of the true (or real) power to the apparent power in an AC circuit.

***) The crest factor is the mathematical ratio of the peak value to RMS value of the input current waveform.

Fig. 3-1 Input voltage range, typ.

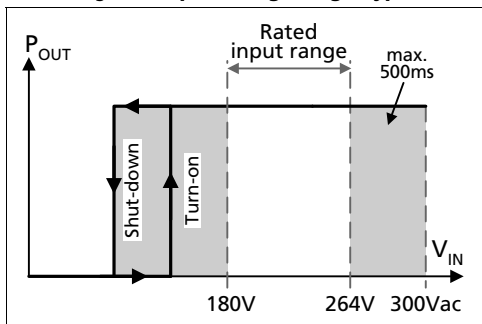


Fig. 3-2 Turn-on behavior, definitions

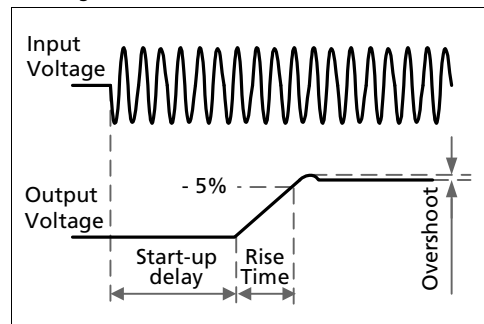


Fig. 3-3 Input current vs. output load at 24V

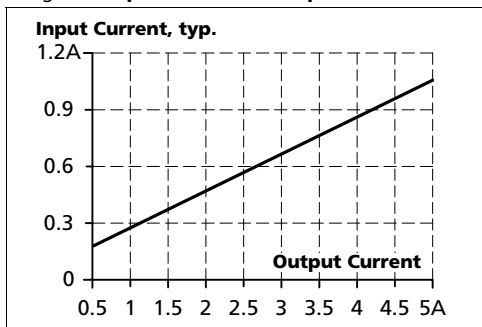
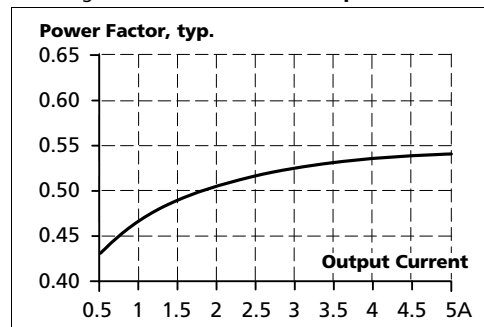


Fig. 3-4 Power factor vs. output load



4. DC-INPUT

Do not operate this power supply with DC-input voltage.

5. INPUT INRUSH CURRENT

A NTC inrush limiter limits the input inrush current after turn-on of the input voltage.

AC 230V

| | | | |
|------------------------------|------|---------------------|--------------------------|
| Inrush current ^{*)} | max. | 37A _{peak} | 40°C ambient, cold start |
| | typ. | 28A _{peak} | 40°C ambient, cold start |
| | typ. | 23A _{peak} | 25°C ambient, cold start |
| Inrush energy ^{*)} | max. | 1.0A ² s | 40°C ambient, cold start |

*) The charging current into EMI suppression capacitors is disregarded in the first microseconds after switch-on.

Fig. 5-1 Input inrush current, typical behavior
230Vac input, 24V 5A output, 25°C ambient

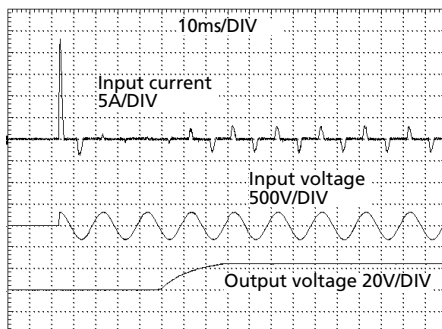
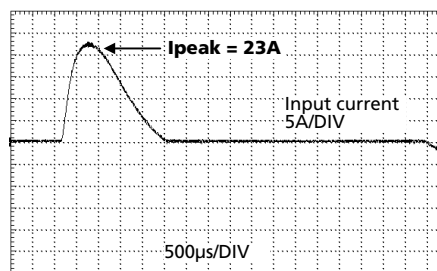


Fig. 5-2 Input inrush current, zoom into first peak
230Vac input, 24V 5A output, 25°C ambient



6. OUTPUT

| | | | |
|--------------------------|------|---------------------|---|
| Output voltage | nom. | 24V | |
| Adjustment range | min. | 24-28V | guaranteed |
| | max. | 30V ^{**}) | at clockwise end position of potentiometer |
| Factory settings | typ. | 24.1V | ±0.2%, at full load, cold unit |
| Line regulation | max. | 10mV | 180-264Vac |
| Load regulation | max. | 150mV | static value, 0A → 5A; see Fig. 6-1 |
| Ripple and noise voltage | max. | 100mVpp | 20Hz to 20MHz, 50Ohm |
| Output current | nom. | 5A | at 24V, ambient temperature <55°C, see Fig. 6-1 |
| | nom. | 3.1A | at 24V, ambient temperature <70°C, see Fig. 6-1 |
| | nom. | 4.3A | at 28V, ambient temperature <55°C, see Fig. 6-1 |
| | nom. | 2.7A | at 28V, ambient temperature <70°C, see Fig. 6-1 |
| Output power | nom. | 120W | ambient temperature <55°C |
| | nom. | 75W | ambient temperature <70°C |
| Overload behaviour | | continuous current | output voltage > 10Vdc, see Fig. 6-1 |
| | | Intermittent | output voltage < 10Vdc, see Fig. 6-1 |
| Short-circuit current | typ. | 3.5A ^{*)} | average (R.M.S.) current, load impedance 50mOhm |
| Output capacitance | typ. | 2 050µF | included inside the power supply |

*) Discharge current of output capacitors is not included.

***) This is the maximum output voltage which can occur at the clockwise end position of the potentiometer due to tolerances. It is not guaranteed value which can be achieved. The typical value is about 28.5V.

Fig. 6-1 **Output voltage vs. output current, RMS current, typ.**

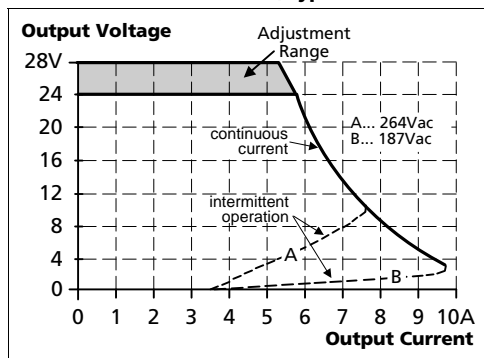
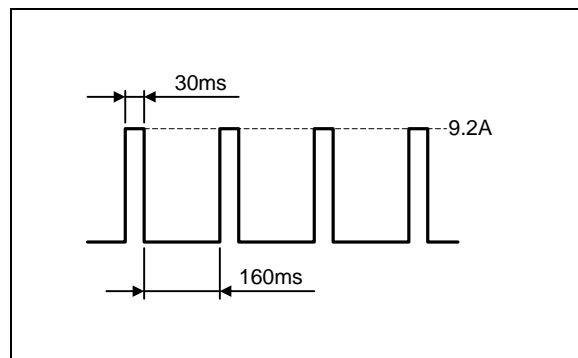


Fig. 6-2 **Intermittent operation at shorted output, typ.**



7. HOLD-UP TIME

AC 230V

| | | | |
|--------------|------|------|----------------------------|
| Hold-up Time | typ. | 69ms | at 24V, 2.5A, see Fig. 7-1 |
| | min. | 61ms | at 24V, 2.5A, see Fig. 7-1 |
| | typ. | 33ms | at 24V, 5A, see Fig. 7-1 |
| | min. | 29ms | at 24V, 5A, see Fig. 7-1 |

Fig. 7-1 Hold-up time vs. input voltage

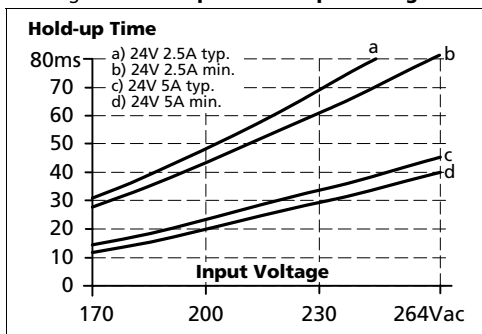
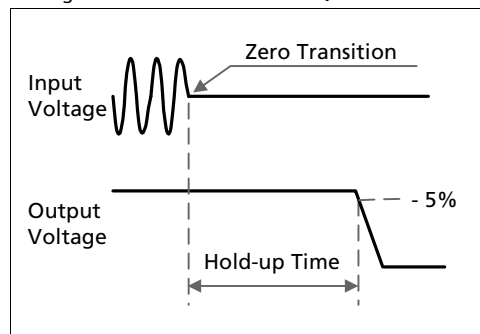


Fig. 7-2 Shut-down behavior, definitions

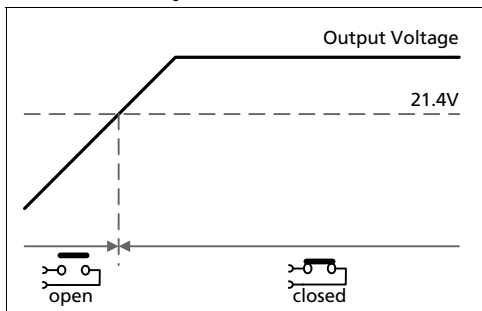


8. DC-OK RELAY CONTACT

This feature monitors the output voltage, which is produced by the power supply itself. It is independent of a back-fed voltage from a unit connected in parallel to the power supply output (e.g. redundant application).

| | | | |
|-------------------|--|----------------------------------|-----------------------|
| Threshold voltage | typ. | 21.4V (fixed) | |
| Contact closes | As soon as the output voltage reaches 21.4V. | | |
| Contact opens | As soon as the output voltage falls below 21.4V. | | |
| Contact ratings | max. | 60Vdc 0.3A, 30Vdc 1A, 30Vac 0.5A | resistive load |
| | min. | 1mA at 5Vdc | min. permissible load |
| Isolation voltage | See dielectric strength table in section 18. | | |

Fig. 8-1 DC-ok relay contact behavior (only for PIC120.241C)



9. EFFICIENCY AND POWER LOSSES

| AC 230V | | | |
|----------------------------------|------|-------|--|
| Efficiency | typ. | 90.5% | at 24V, 5A |
| Average efficiency ^{*)} | typ. | 89.5% | 25% at 1.25A, 25% at 2.5A, 25% at 3.75A, 25% at 5A |
| Power losses | typ. | 0.6W | PIC120.241C: at 24V, 0A |
| | typ. | 0.5W | PIC120.242C: at 24V, 0A |
| | typ. | 7.0W | at 24V, 2.5A |
| | typ. | 12.6W | at 24V, 5A |

^{*)} The average efficiency is an assumption for a typical application where the power supply is loaded with 25% of the nominal load for 25% of the time, 50% of the nominal load for another 25% of the time, 75% of the nominal load for another 25% of the time and with 100% of the nominal load for the rest of the time.

Fig. 9-1 Efficiency vs. output current at 24V, typ.

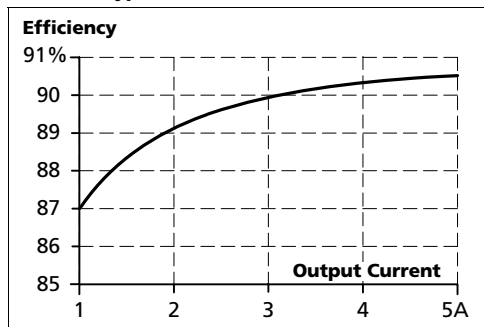
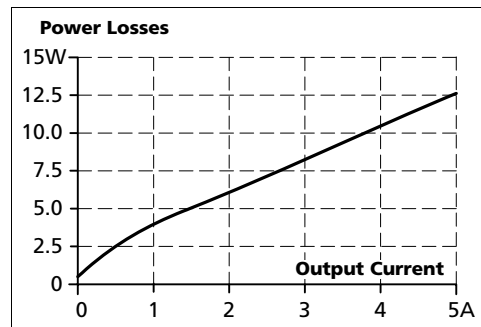


Fig. 9-2 Losses vs. output current at 24V, typ.



10. LIFETIME EXPECTANCY AND MTBF

| AC 230V | | |
|---|------------------------|---|
| Lifetime expectancy ^{*)} | 110 000h | at 24V, 2.5A and 40°C |
| | 312 000h ^{*)} | at 24V, 2.5A and 25°C |
| | 47 000h | at 24V, 5A and 40°C |
| | 133 000h ^{*)} | at 24V, 5A and 25°C |
| MTBF ^{**) SN 29500, IEC 61709} | 1 720 000h | at 24V, 5A and 40°C |
| | 3 223 000h | at 24V, 5A and 25°C |
| MTBF ^{**) MIL HDBK 217F} | 1 322 000h | at 24V, 5A and 40°C; Ground Benign GB40 |
| | 1 785 000h | at 24V, 5A and 25°C; Ground Benign GB25 |
| | 385 000h | at 24V, 5A and 40°C; Ground Fixed GF40 |
| | 502 000h | at 24V, 5A and 25°C; Ground Fixed GF25 |

^{*)} The **Lifetime expectancy** shown in the table indicates the minimum operating hours (service life) and is determined by the lifetime expectancy of the built-in electrolytic capacitors. Lifetime expectancy is specified in operational hours and is calculated according to the capacitor's manufacturer specification. The manufacturer of the electrolytic capacitors only guarantees a maximum life of up to 15 years (131 400h). Any number exceeding this value is a calculated theoretical lifetime which can be used to compare devices.

^{**)} **MTBF** stands for **Mean Time Between Failure**, which is calculated according to statistical device failures, and indicates reliability of a device. It is the statistical representation of the likelihood of a unit to fail and does not necessarily represent the life of a product. The MTBF figure is a statistical representation of the likelihood of a device to fail. A MTBF figure of e.g. 1 000 000h means that statistically one unit will fail every 100 000 units are installed in the field. However, it can not be determined if the failed unit has been running for 50 000h or only for 100h.

11. FUNCTIONAL DIAGRAM

Fig. 11-1 Functional diagram PIC120.241C

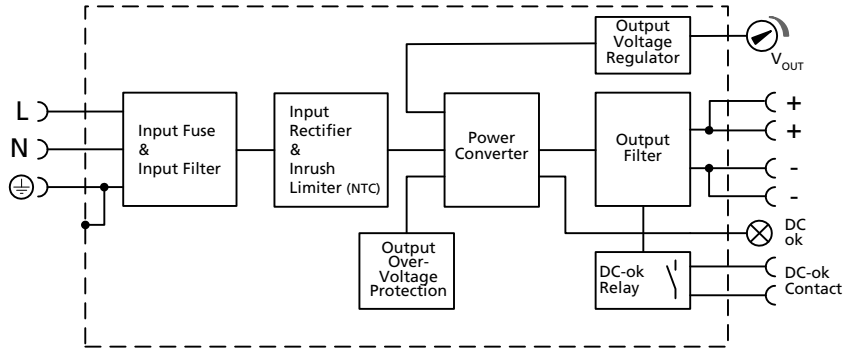
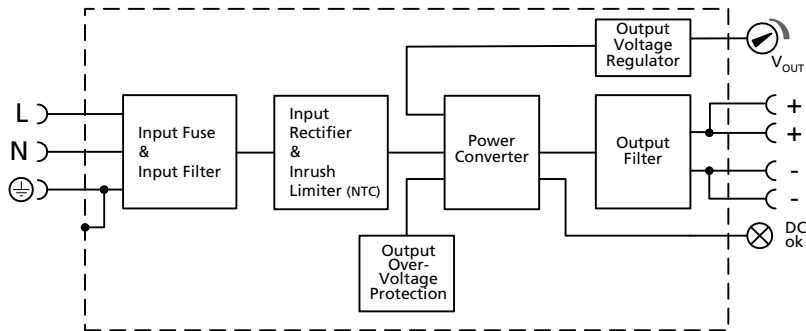


Fig. 11-2 Functional diagram PIC120.242C



12. TERMINALS AND WIRING

The terminals are IP20 finger safe constructed and suitable for field- and factory wiring.

| | Input and output | DC-OK-Signal only available in PIC120.241C |
|-------------------------------|----------------------------------|--|
| Type | screw terminals | push-in terminals |
| Solid wire | max. 6mm ² | max. 1.5mm ² |
| Stranded wire | max. 4mm ² | max. 1.5mm ² |
| American Wire Gauge | AWG20-10 | AWG28-16 |
| Max. wire diameter | 2.8mm (including ferrules) | 1.6mm (including ferrules) |
| Wire stripping length | 7mm / 0.28inch | 7mm / 0.28inch |
| Screwdriver | 3.5mm slotted or cross-head No 2 | not required |
| Recommended tightening torque | 1Nm, 9lb.in | not applicable |

Instructions:

- a) Use appropriate copper cables that are designed for minimum operating temperatures of:
75°C for ambient up to 55°C minimum and
90°C for ambient up to 70°C minimum.
- b) Follow national installation codes and installation regulations!
- c) Ensure that all strands of a stranded wire enter the terminal connection!
- d) Do not use the unit without PE connection.
- e) Unused terminal compartments should be securely tightened.
- f) Ferrules are allowed.

13. FRONT SIDE AND USER ELEMENTS

Fig. 13-1 Front side
PIC120.241C

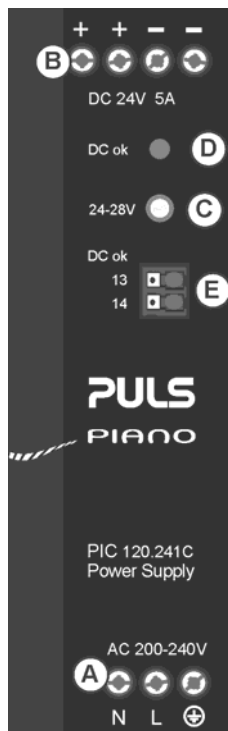


Fig. 13-2 Front side
PIC120.242C



A Input Terminals (screw terminals)

N, L Line input

⊕ PE (Protective Earth) input

B Output Terminals (screw terminals, two pins per pole)

+ Positive output

- Negative (return) output

C Output voltage potentiometer

Guaranteed adjustment range: 24-28V

Factory set: 24.1V

D DC-OK LED (green)

On, when the output voltage is >18V

E DC-OK Relay Contact (push-in terminals)

Description see chapter 8.

This feature is not available in the PIC120.242C.

14. EMC

The power supply is suitable for applications in industrial environment as well as in residential, commercial and light industry environment without any restrictions. A detailed EMC report is available on request.

| EMC Immunity | | According generic standards: EN 61000-6-1 and EN 61000-6-2 | | |
|--------------------------|---------------|--|---------------|-------------------|
| Electrostatic discharge | EN 61000-4-2 | contact discharge | 8kV | Criterion A |
| | | air discharge | 8kV | Criterion A |
| Electromagnetic RF field | EN 61000-4-3 | 80MHz-2.7GHz | 20V/m | Criterion A |
| Fast transients (Burst) | EN 61000-4-4 | input lines | 4kV | Criterion A |
| | | output lines | 2kV | Criterion A |
| | | DC-OK signal (coupling clamp) | 2kV | Criterion A |
| Surge voltage on input | EN 61000-4-5 | L → N | 2kV | Criterion A |
| | | L → PE, N → PE | 4kV | Criterion A |
| Surge voltage on output | EN 61000-4-5 | + → - | 500V | Criterion A |
| | | + / - → PE | 1kV | Criterion A |
| Surge voltage on DC-OK | EN 61000-4-5 | DC-OK signal → PE | 1kV | Criterion A |
| Conducted disturbance | EN 61000-4-6 | 0.15-80MHz | 20V | Criterion A |
| Mains voltage dips | EN 61000-4-11 | 0% of 200Vac | 0Vac, 20ms | Criterion A <4.5A |
| | | 0% of 200Vac | 0Vac, 20ms | Criterion B >4.5A |
| | | 40% of 200Vac | 80Vac, 200ms | Criterion C |
| | | 70% of 200Vac | 140Vac, 500ms | Criterion A |
| Voltage interruptions | EN 61000-4-11 | 0% of 200Vac (=0V) | 5000ms | Criterion C |
| Voltage sags | SEMI F47 0706 | dips on the input voltage according to SEMI F47 standard | | |
| | | 80% of 200Vac (160Vac) | 1000ms | Criterion A |
| | | 70% of 200Vac (140Vac) | 500ms | Criterion A |
| | | 50% of 200Vac (100Vac) | 200ms | Criterion C |
| Powerful transients | VDE 0160 | over entire load range | 750V, 1.3ms | Criterion A |

Criteria:

- A:** Power supply shows normal operation behavior within the defined limits.
- B:** Temporary voltage dips possible. No change in operation mode.
- C:** Temporary loss of function is possible. Power supply may shut-down and restarts by itself. No damage or hazards for the power supply will occur.

| EMC Emission | | According generic standards: EN 61000-6-3, EN 61000-6-4 | |
|------------------------------------|---|---|--|
| Conducted emission input lines | EN 55011, EN 55022, FCC Part 15, CISPR 11, CISPR 22 | Class B | |
| Conducted emission output lines**) | IEC/CISPR 16-1-2, IEC/CISPR 16-2-1 | limits for DC power port according EN 61000-6-3 not fulfilled | |
| Radiated emission | EN 55011, EN 55022 | Class B | |
| Harmonic input current | EN 61000-3-2 | fulfilled for class A equipment | |
| Voltage fluctuations, flicker | EN 61000-3-3 | fulfilled*) | |

This device complies with FCC Part 15 rules.

Operation is subjected to following two conditions: (1) this device may not cause harmful interference, and (2) this device must accept any interference received, including interference that may cause undesired operation.

*) tested with constant current loads, non pulsing

***) for information only, not mandatory for EN 61000-6-3

Switching frequency

| | | |
|----------------|-----------------|---------------------------------------|
| Main converter | 40kHz to 120kHz | for load current range between 1A- 5A |
|----------------|-----------------|---------------------------------------|

15. ENVIRONMENT

| | | |
|---------------------------------------|--|--|
| Operational temperature ^{*)} | -10°C to +70°C (14°F to 158°F) | reduce output power according Fig. 15-1 |
| Storage temperature | -40°C to +85°C (-40°F to 185°F) | for storage and transportation |
| Output de-rating | 3W/°C | 55°C to 70°C (131°F to 158°F) |
| Humidity ^{**)} | 5 to 95% r.h. | IEC 60068-2-30 |
| Vibration sinusoidal | 2-17.8Hz: ±1.6mm; 17.8-500Hz: 2g ^{***)} 2 hours / axis ^{***)} | IEC 60068-2-6 |
| Shock | 30g 6ms, 20g 11ms ^{***)} 3 bumps / direction, 18 bumps in total | IEC 60068-2-27 |
| Altitude | 0 to 2000m (0 to 6 560ft) 2000 to 6000m (6 560 to 20 000ft) | without any restrictions reduce output power or ambient temperature, see Fig. 15-2 IEC 62103, EN 50178, overvoltage category II |
| Altitude de-rating | 7.5W/1000m or 5°C/1000m | > 2000m (6500ft), see Fig. 15-2 |
| Over-voltage category | III II | IEC 62103, EN 50178, altitudes up to 2000m altitudes from 2000m to 6000m |
| Degree of pollution | 2 | IEC 62103, EN 50178, not conductive |
| LABS compatibility | The unit does not release any silicone or other LABS-critical substances and is suitable for use in paint shops. | |

*) Operational temperature is the same as the ambient or surrounding temperature and is defined as the air temperature 2cm below the unit.

***) Do not energize while condensation is present

***) Tested on a DIN-Rail with a thickness of 1.3mm.

Fig. 15-1 Output current vs. ambient temp.

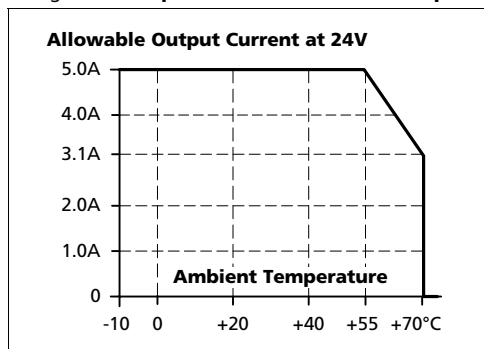
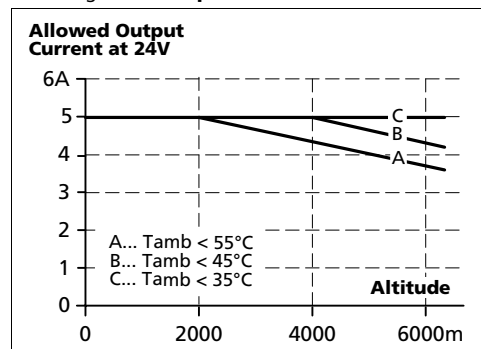


Fig. 15-2 Output current vs. altitude



16. PROTECTION FEATURES

| | | |
|--------------------------------|---|--|
| Output protection | Electronically protected against overload, no-load and short-circuits*) | |
| Output over-voltage protection | typ. 31Vdc max. 34Vdc | In case of an internal power supply fault, a redundant circuit limits the maximum output voltage. In such a case, the output shuts down and stays down until the input voltage is turned off and on again for at least one minute or until the green LED went off. |
| Degree of protection | IP 20 | EN/IEC 60529 Caution: For use in a controlled environment according to CSA 22.2 No 107.1-01. |
| Over-temperature protection | no | |
| Input transient protection | MOV (Metal Oxide Varistor) | |
| Internal input fuse | included | not user replaceable |

*) In case of a protection event or in a low-load condition, audible noise may occur.

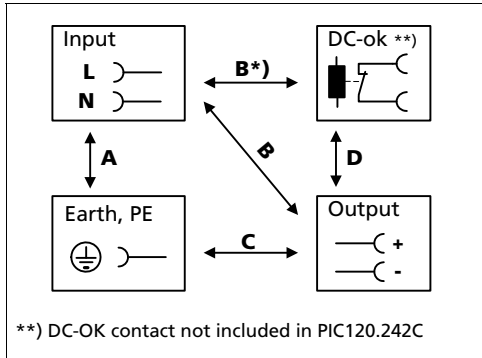
17. SAFETY FEATURES

| | | |
|---------------------------------|---|--|
| Input / output separation | SELV PELV double or reinforced insulation | IEC/EN 60950-1 IEC/EN 60204-1, EN 50178, IEC 62103, IEC 60364-4-41 |
| Class of protection | I | PE (Protective Earth) connection required |
| Isolation resistance | > 5MΩ | input to output, 500Vdc |
| Touch current (leakage current) | typ. 0.30mA / 0.75mA max. 0.39mA / 0.94mA | 230Vac, 50Hz, TN-,TT-mains / IT-mains 264Vac, 50Hz, TN-,TT-mains / IT-mains |

18. DIELECTRIC STRENGTH

The output voltage is floating and has no ohmic connection to the ground. Type and factory tests are conducted by the manufacturer. Field tests may be conducted in the field using the appropriate test equipment, which applies the voltage with a slow ramp (2s up and 2s down). Connect all input-terminals together as well as all output poles before conducting the test. When testing, set the cut-off current settings to the value in the table below.

Fig. 18-1 Dielectric strength



| | | A | B | C | D |
|-------------------------|-----|---------|---------|---------|--------|
| Type test | 60s | 2500Vac | 3000Vac | 1000Vac | 500Vac |
| Factory test | 5s | 2500Vac | 2500Vac | 500Vac | 500Vac |
| Field test | 5s | 2000Vac | 2000Vac | 500Vac | 500Vac |
| Cut-off current setting | | > 15mA | > 15mA | > 20mA | > 1mA |

To fulfil the PELV requirements according to EN60204-1 § 6.4.1, we recommend that either the + pole, the - pole or any other part of the output circuit shall be connected to the protective earth system. This helps to avoid situations in which a load starts unexpectedly or can not be switched off when unnoticed earth faults occur.

B*) When testing input to DC-OK ensure that the max. voltage between DC-OK and the output is not exceeded (column D). We recommend connecting DC-OK pins and the output pins together when performing the test.

19. APPROVALS

EC Declaration of Conformity



The CE mark indicates conformance with the
- EMC directive 2004/108/EC and the
- Low-voltage directive (LVD) 2006/95/EC

IEC 60950-1
2nd Edition



CB Scheme,
Information Technology Equipment

UL 60950-1
2nd Edition



Recognized for use as Information Technology Equipment,
Level 5; U.S.A. (UL 60950-1) and Canada (C22.2 No. 60950-1);
E-File: E137006
Applicable for altitudes up to 2000m.

UL 508



Listed for use as Industrial Control Equipment;
U.S.A. (UL 508) and Canada (C22.2 No. 107-1-01);
E-File: E198865

Marine



GL (Germanischer Lloyd) classified
Environmental category: C, EMC 2
Marine and offshore applications

20. RoHS, REACH AND OTHER FULFILLED STANDARDS

RoHS Directive



Directive 2011/65/EU of the European Parliament and the
Council of June 8th, 2011 on the restriction of the use of
certain hazardous substances in electrical and electronic
equipment.

REACH Directive



Directive 1907/2006/EU of the European Parliament and the
Council of June 1st, 2007 regarding the Registration,
Evaluation, Authorisation and Restriction of Chemicals
(REACH)

21. PHYSICAL DIMENSIONS AND WEIGHT

| | |
|-----------------------------|--|
| Width | 39mm 1.54" |
| Height | 124mm 4.88" |
| Depth | 124mm 4.88" The DIN-rail height must be added to the unit depth to calculate the total required installation depth. |
| Weight | 350g / 0.77lb |
| DIN-Rail | Use 35mm DIN-rails according to EN 60715 or EN 50022 with a height of 7.5 or 15mm. |
| Plastic Material of Housing | Flame retardant Polycarbonate (PC) - UL94-V0 Vicat softening temperature specified with 149°C according to ASTM D1525 |
| Installation Clearances | See chapter 2 |

Fig. 21-1 Front view
PIC120.241

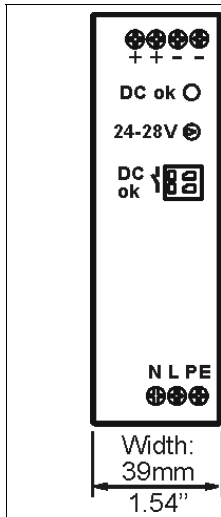


Fig. 21-2 Front view
PIC120.242C

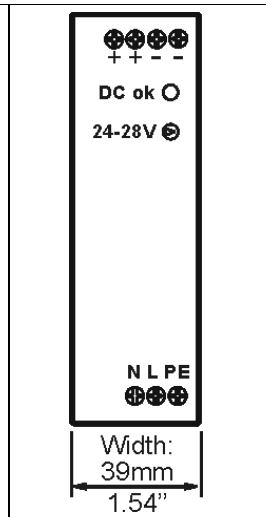
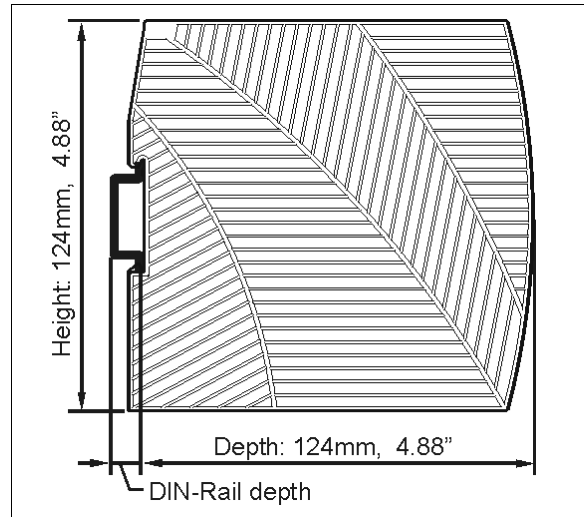


Fig. 21-3 Side view



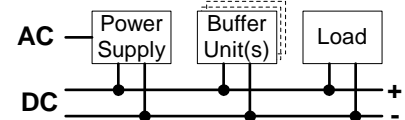
22. ACCESSORY

22.1. UF20.241 BUFFER MODULE

This buffer unit is a supplementary device for DC 24V power supplies. It delivers power to bridge typical mains failures or extends the hold-up time after turn-off of the AC power. In times when the power supply provides sufficient voltages, the buffer module stores energy in integrated electrolytic capacitors. In case of mains voltage fault, this energy is released again in a regulated process. One buffer module can deliver 20A which can also be used to support peak current demands.



The buffer unit does not require any control wiring. It can be added in parallel to the load circuit at any given point. Buffer units can be added in parallel to increase the output ampacity or the hold-up time.

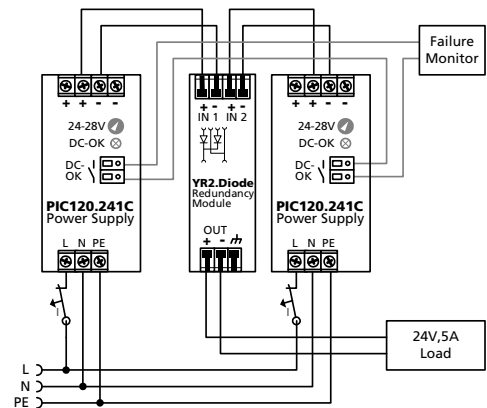


22.2. YR2.DIODE REDUNDANCY MODULE

The YR2.DIODE is a dual redundancy module, which has two diodes with a common cathode included. It can be used

for various purposes. The most popular application is to configure highly reliable and true redundant power supply systems. Another interesting application is the separation of sensitive loads from non-sensitive loads. This avoids the distortion of the power quality for the sensitive loads which can cause controller failures.

See chapter 23.5 for instructions how to build a redundant system.



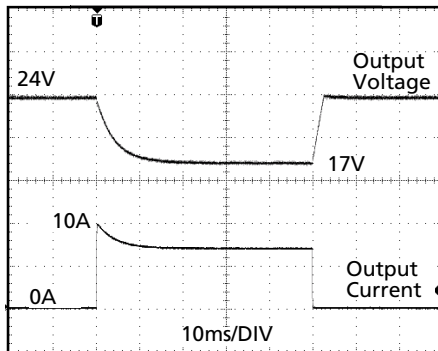
23. APPLICATION NOTES

23.1. PEAK CURRENT CAPABILITY

The unit can deliver peak currents (up to several milliseconds) which are higher than the specified short term currents. This helps to start current demanding loads. Solenoids, contactors and pneumatic modules often have a steady state coil and a pick-up coil. The inrush current demand of the pick-up coil is several times higher than the steady-state current and usually exceeds the nominal output current. The same situation applies when starting a capacitive load. The peak current capability also ensures the safe operation of subsequent circuit breakers of load circuits. The load branches are often individually protected with circuit breakers or fuses. In case of a short or an overload in one branch circuit, the fuse or circuit breaker need a certain amount of over-current to open in a timely manner. This avoids voltage loss in adjacent circuits.

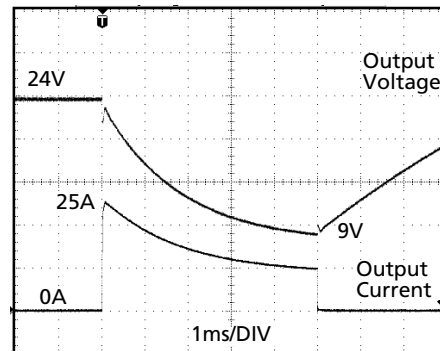
The extra current (peak current) is supplied by the power converter and the built-in large sized output capacitors of the power supply. The capacitors get discharged during such an event, which causes a voltage dip on the output. The following two examples show typical voltage dips:

Fig. 23-1 **Peak load with 2x the nominal current for 50ms, typ.**



10A Peak load (resistive) for 50ms
Output voltage dips from 24V to 17V.

Fig. 23-2 **Peak load with 5x the nominal current for 5ms, typ.**



25A Peak load (resistive) for 5ms
Output voltage dips from 24V to 9V.

| | | | |
|---------------------------|------|-----------------|---------------------------------|
| Peak current voltage dips | typ. | from 24V to 17V | at 10A for 50ms, resistive load |
| | typ. | from 24V to 13V | at 25A for 2ms, resistive load |
| | typ. | from 24V to 9V | at 25A for 5ms, resistive load |

23.2. BACK-FEEDING LOADS

Loads such as decelerating motors and inductors can feed voltage back to the power supply. This feature is also called return voltage immunity or resistance against Back- E.M.F. (Electro Magnetic Force).

This power supply is resistant and does not show malfunctioning when a load feeds back voltage to the power supply. It does not matter whether the power supply is on or off.

The maximum allowed feed-back-voltage is 35Vdc. The absorbing energy can be calculated according to the built-in large sized output capacitor which is specified in chapter 6.

23.3. EXTERNAL INPUT PROTECTION

The unit is tested and approved for branch circuits up to 30A (UL) and 32A (IEC). An external protection is only required if the supplying branch has an ampacity greater than this. Check also local codes and local requirements. In some countries local regulations might apply.

If an external fuse is necessary or utilized, minimum requirements need to be considered to avoid nuisance tripping of the circuit breaker. A minimum value of 10A B- or 6A C-Characteristic breaker should be used.

23.4. PARALLEL USE TO INCREASE OUTPUT POWER

Do not use the power supply in parallel to increase the output power.

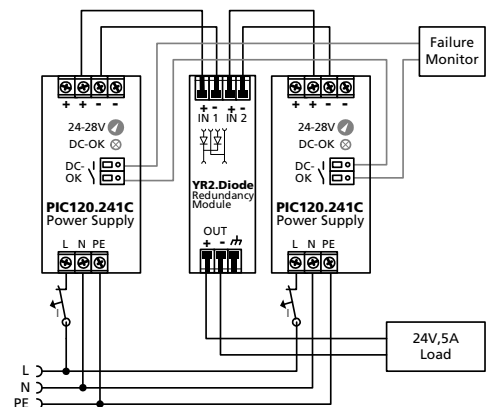
23.5. PARALLEL USE FOR REDUNDANCY

Power supplies can be paralleled for redundancy to gain higher system availability. Redundant systems require a certain amount of extra power to support the load in case one power supply unit fails. The simplest way is to put two power supplies in parallel. This is called a 1+1 redundancy. In case one power supply unit fails, the other one is automatically able to support the load current without any interruption.

Please note: This simple way to build a redundant system does not cover failures such as an internal short circuit in the secondary side of the power supply. In such a case, the defect unit becomes a load for the other power supplies and the output voltage can not be maintained any more. This can only be avoided by utilizing decoupling diodes which are included in the redundancy module YR2.DIODE.

Recommendations for building redundant power systems:

- The preferred power supply is the PIC120.241C since it has a DC-OK signal contact included, which the PIC120.242C does not have. Use this DC-OK signal contact to monitor the individual power supply units.
- Use separate input fuses for each power supply.
- Use separate mains systems for each power supply whenever it is possible.
- It is desirable to set the output voltages of all units to the same value ($\pm 100\text{mV}$) or leave it at the factory setting.



23.6. SERIES OPERATION

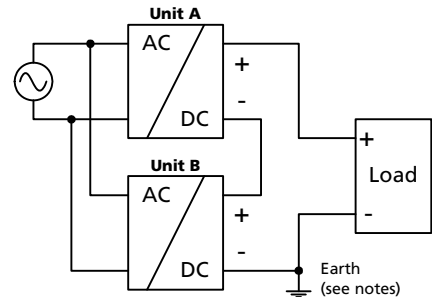
Power supplies of the same type can be connected in series for higher output voltages. It is possible to connect as many units in series as needed, providing the sum of the output voltage does not exceed 150Vdc. Voltages with a potential above 60Vdc are not SELV any more and can be dangerous. Such voltages must be installed with a protection against touching.

Earthing of the output is required when the sum of the output voltage is above 60Vdc.

Avoid return voltage (e.g. from a decelerating motor or battery) which is applied to the output terminals.

Keep an installation clearance of 15mm (left / right) between two power supplies and avoid installing the power supplies on top of each other.

Pay attention that leakage current, EMI, inrush current, harmonics will increase when using multiple power supplies.



23.7. INDUCTIVE AND CAPACITIVE LOADS

No limitations for inductive loads

No limitations for capacitive loads in combination with an additional resistive type of load.

Limitations apply for capacitive loads in combination with constant current type of loads:

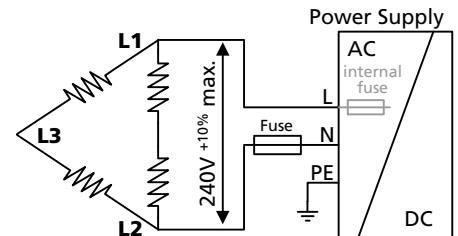
- max. 10mF with an additional 2.5A constant current load and
- max. 5mF with an additional 5A constant current load.

23.8. CHARGING OF BATTERIES

Do not use the power supply to charge batteries.

23.9. OPERATION ON TWO PHASES

The power supply can also be used on two-phases of a three-phase-system. Such a phase-to-phase connection is allowed as long as the supplying voltage is below $240V^{+10\%}$.



23.10. USE IN A TIGHTLY SEALED ENCLOSURE

When the power supply is installed in a tightly sealed enclosure, the temperature inside the enclosure will be higher than outside. In such situations, the inside temperature defines the ambient temperature for the power supply.

The following measurement results can be used as a reference to estimate the temperature rise inside the enclosure.

The power supply is placed in the middle of the box; no other heat producing items are inside the box.

Enclosure: Rittal Type IP66 Box PK 9516 100, plastic, 110x180x165mm
 Input: 230Vac

Case A:

Load: 24V, 5A; load is placed outside the box
 Temperature inside the box: 49.2°C (in the middle of the right side of the power supply with a distance of 1cm)
 Temperature outside the box: 26.5°C
 Temperature rise: 22.7K

Case B:

Load: 24V, 4A; (=80%) load is placed outside the box
 Temperature inside the box: 46.0°C (in the middle of the right side of the power supply with a distance of 1cm)
 Temperature outside the box: 26.8°C
 Temperature rise: 19.2K