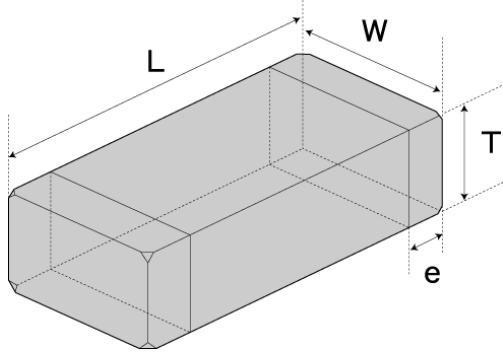


Spec Sheet

High Frequency Multilayer Chip Inductors for Automotive / Industrial Applications (HK series)

HK10051N0S-TV



■ Features

- Item Summary
1.0nH(-0.3nH to +0.3nH), 300mA, 8, 0402
- Lifecycle Stage
Mass Production
- AEC-Q200 qualified
- Standard packaging quantity (minimum)
Taping 10000pcs

■ Products characteristics table

CaseSize (EIA/JIS)	0402/1005
Inductance	1.0nH(-0.3nH to +0.3nH)
Inductance Measuring Frequency	100MHz
Rated Current	300mA
DC Resistance (max)	0.08Ω
Avg. of DC.Resistance	0.04Ω
Temperature Range	-55 to +125 °C
Self-resonant Frequency (min)	10000MHz
Q (max)	8min
Q Measuring Frequency	100MHz
RoHS Compliance	Yes
Halogen Free	Yes
Soldering Method	Reflow

■ External Dimensions

L	1mm ±0.05
W	0.5mm ±0.05
H	0.5mm ±0.05
e	0.25mm ±0.10

2015.04.28

The data is reference only. Electrical characteristics vary depending on environment or measurement condition.
 TAIYO YUDEN reserves the right to make change to the Date at any time without notice.
 Before making final selection, please check product specification.