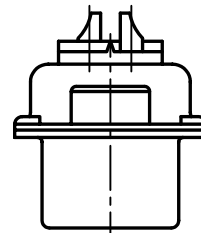
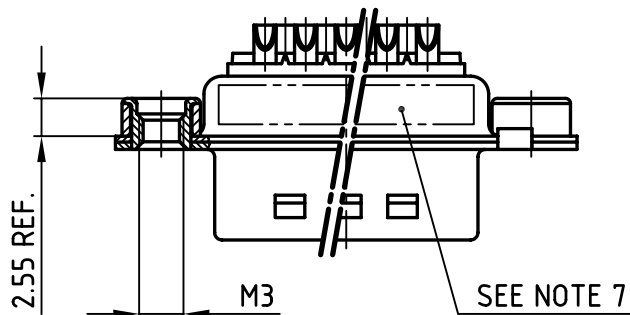
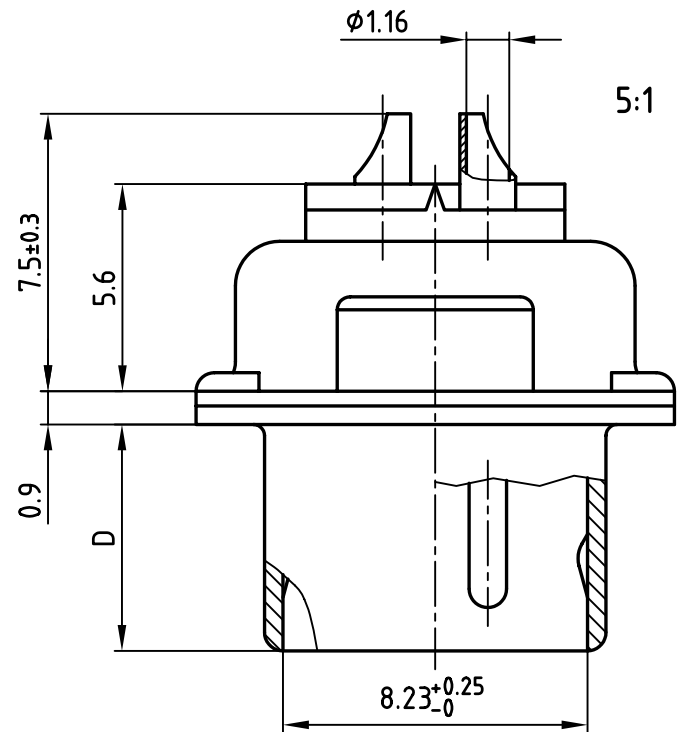
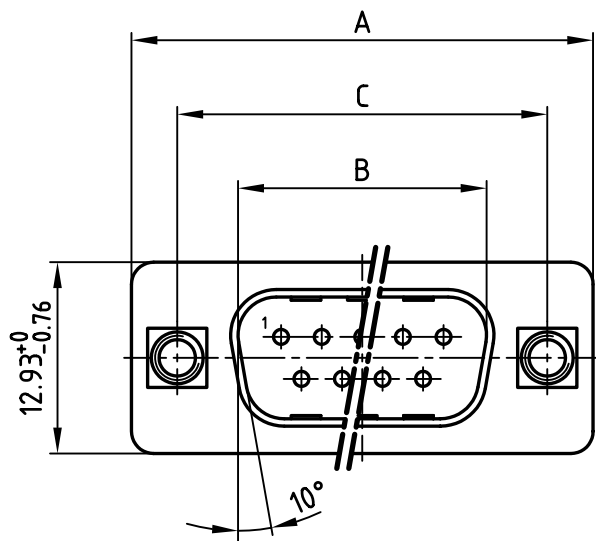


used for: D-SUB



POS.	A _{-0.76}	B _{+0.25}	C	D _{-0.3}	Part No.
9	31.19	16.79	25.00 ^{+0.12} _{-0.13}	6.12	163A11319X
15	39.52	25.12	33.30^{+0.15}_{-0.1}	6.12	163A11329X
25	53.42	38.84	47.04 ^{±0.13}	5.99	163A11339X
37	69.70	55.30	63.50 ^{±0.13}	5.99	163A11349X

16K1A3716

NOTES:

- METALSHELLS: STEEL; min. 320µ" TIN
- INSULATORS: PBT GF UL 94 V-0, BLACK
- CONTACTS: COPPER ALLOY
PLATING: 8µ" HARD GOLD OVER min. 50µ" NICKEL
SOLDER CUP ACCEPTS CABLE AWG 20
- THREADED INSERT: COPPER ALLOY; min. 200µ" TIN over 80µ" NICKEL
- COLLAR: COPPER ALLOY; min. 200µ" TIN over 80µ" NICKEL
- MAXIMUM TORQUE VALUE FOR THREAD: 6" LBS
- CONNECTOR IS PART MARKED: PART-NO. CONEC ABC



APPROVAL # FREIGABE # DEBLOCAGE # AUTOR/ZACION # APPROVAL	
CUSTOMER APPROVAL DATE:	
NAME:	TITLE:
COMPANY NAME:	
APPROVAL # FREIGABE # DEBLOCAGE # AUTOR/ZACION # APPROVAL	

THIS DRAWING MAY NOT BE COPIED OR REPRODUCED IN ANY WAY, AND MAY NOT BE PASSED ON TO A THIRD PARTY WITHOUT WRITTEN PERMISSION.
 OWNERSHIP AND COPYRIGHT OF CONEC GmbH
 DO NOT ALTER CAD DRAWING BY HAND

rev.	description	date	name

tolerance		 dim. in mm	scale: 2:1 (5:1)
2003			material: SEE NOTES
drawn	date	name	title: D-SUB MALE 9-37pos. SOLDER CUP with threaded insert
appd.	25.08.	Lehmenkühler	
norm	DIN 41652		
d-old			dwg no: AutoCAD 2000 16K1A1005 part no: SEE TABLE



dwg no: AutoCAD 2000		DIN-A
16K1A1005		3
part no: SEE TABLE		sh: 1/1