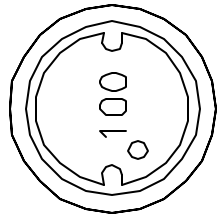
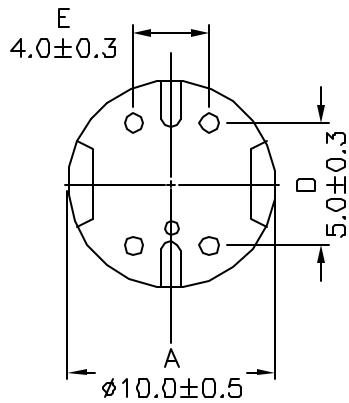
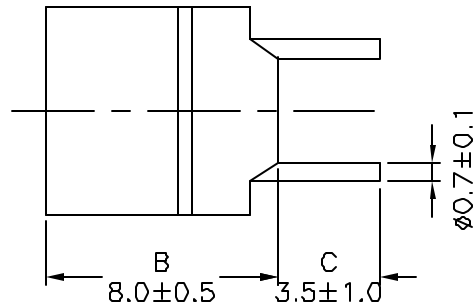


1. Mechanical Dimensions:

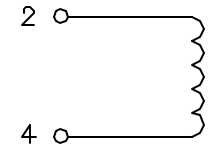


Top View



Bottom View

2. Schematic:



3. Electrical Specifications:

INDUCTANCE: 10uH±10% @1KHz, 1V
 DC RESISTANCE: 50 mOhms Max
 RATED CURRENT: 2.80Adc (10% drop in OCL)
 SRF: 29.3MHz Ref

Notes:

1. Solderability: Leads shall meet MIL-STD-202G, Method 208H for solderability.
2. Flammability: UL94V-0
3. ASTM oxygen index: > 28%
4. Insulation System: Class F 155°C, UL file E151556
5. Operating Temperature Range: All listed parameters are to be within tolerance from -40°C to +85°C
6. Storage Temperature Range: -55°C to +125°C
7. Aqueous wash compatible
8. Electrical and mechanical specifications 100% tested
9. RoHS Compliant Component

Doc. Rev. A/1

PROPRIETARY Document is the property of XFMRS Group & is not allowed to be duplicated without authorization.

XFMRS Inc. www.XFMRS.com	Title: Shielded Power Inductor		
UNLESS OTHERWISE SPECIFIED TOLERANCES: .xx±0.25 Dimensions in MM	P/N: XFRCR108D-100K	REV. A	
	DWN.	Juan Mao	Feb-28-08
	CHK.	YK Liao	Feb-28-08
SHEET 1 OF 1	APP.	BW	Feb-28-08