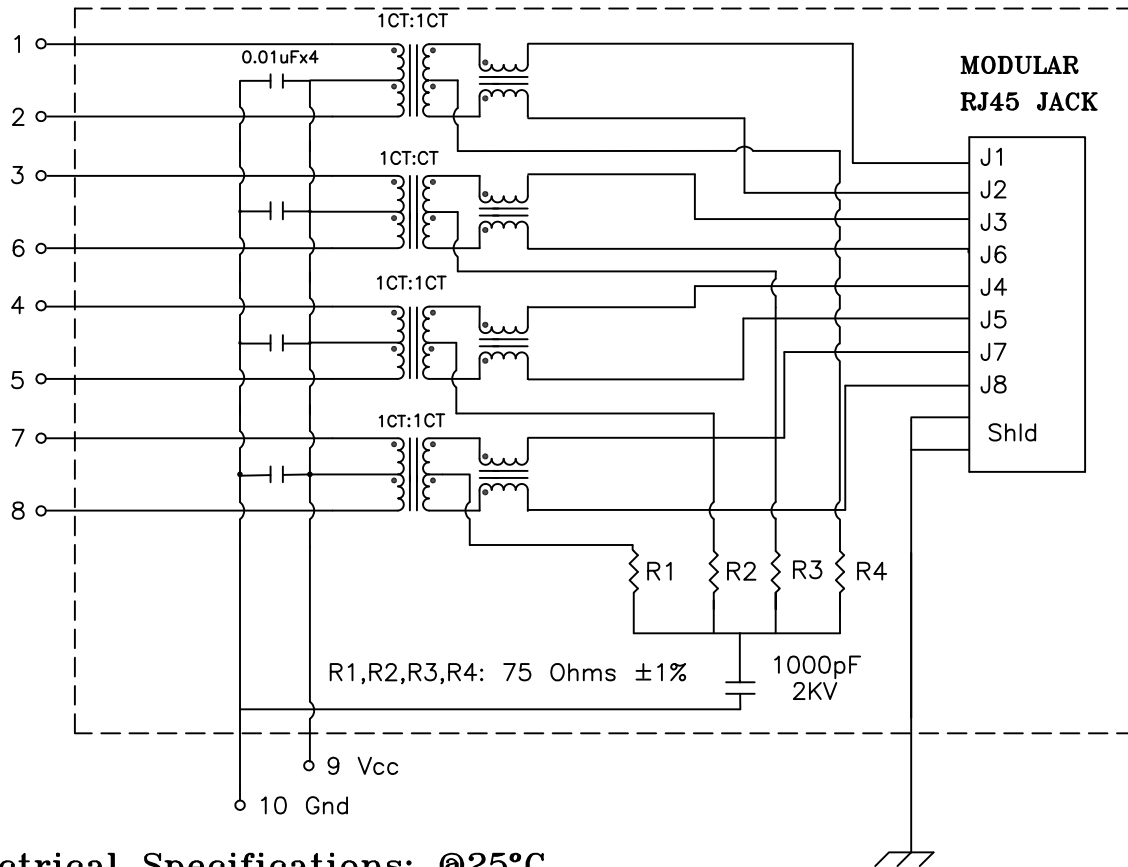


Schematic: (Four Ports)



Electrical Specifications: @25°C

ISOLATION: 1500Vrms (See Notes)
 TURNS RATIO: (PRI/SEC) 1CT:1CT ±3%
 OCL: 350uH MIN @100KHz 100mV 8mADC
 Q: 5 Min @100KHz 0.1V
 Rise Time: 1.75ns Max.
 INSERTION LOSS: -1.0dB MAX @1MHz-100MHz
 -1.5dB MAX @100-125MHz
 RETURN LOSS: -18dB Min @1-30MHz
 -15dB Min @40MHz -13.1dB Min @50MHz
 -12dB Min @60-80MHz -10dB Min @100MHz
 Differential to Common Mode Rejection:
 -43dB Min @30MHz -37dB Min @80MHz
 -33dB Min @100MHz
 CMRR: -30dB Min @1-100MHz
 Crosstalk: -45dB Min @30MHz
 -40dB Min @60MHz -35dB Min @100MHz

Notes:

1. Solderability: Leads shall meet MIL-STD-202G, Method 208H for solderability.
2. Flammability: UL94V-0
3. ASTM oxygen index: > 28%
4. UL Recognized Component: File Number E165866
5. Operating Temperature Range: All listed parameters are to be within tolerance from -40°C to +85°C
6. Storage Temperature Range: -55°C to +125°C
7. Aqueous wash compatible
8. Electrical and mechanical specifications 100% tested
9. RoHS Compliant Component
10. Hipot spec refers to application to wound toroids only
11. 2250VDC isolation between the RJ-45 pins to the shield

XFMRs Inc
www.XFMRs.com

Title: FOUR PORTS GIGABIT COMBO

DOC REV: A/2

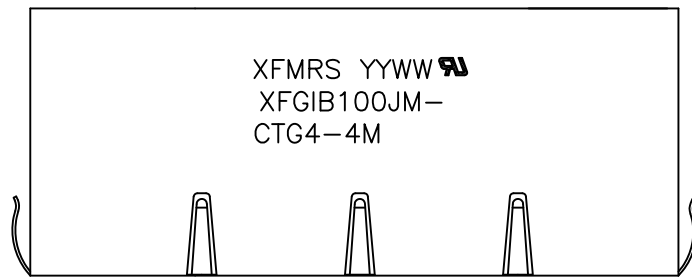
UNLESS OTHERWISE SPECIFIED
 TOLERANCES:
 .xxx ±0.010
 Dimensions in Inch
 SHEET 1 OF 2

P/N:	XFGIB100JM-CTG4-4M	REV. A
DWN.	Yuan	Jan-19-15
CHK.	YK Liao	Jan-19-15
APP.	DDC	Jan-19-15

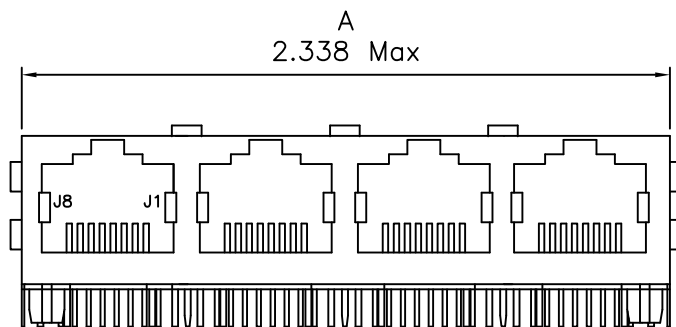
PROPRIETARY:

Document is the property of XFMRs Group & is not allowed to be duplicated without authorization.

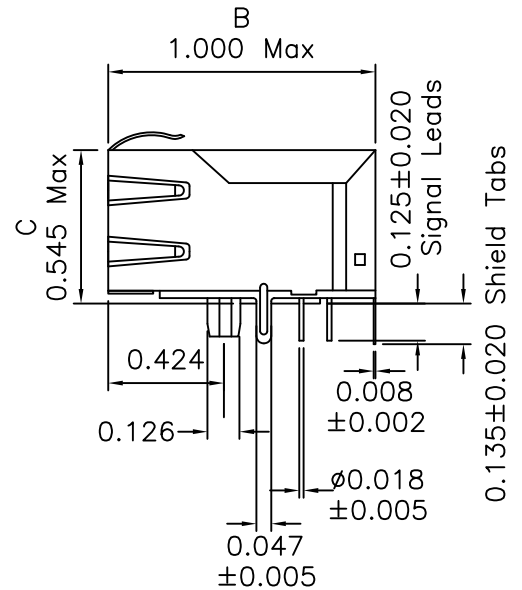
Mechanical Dimensions: (FOR CTG4-4M)



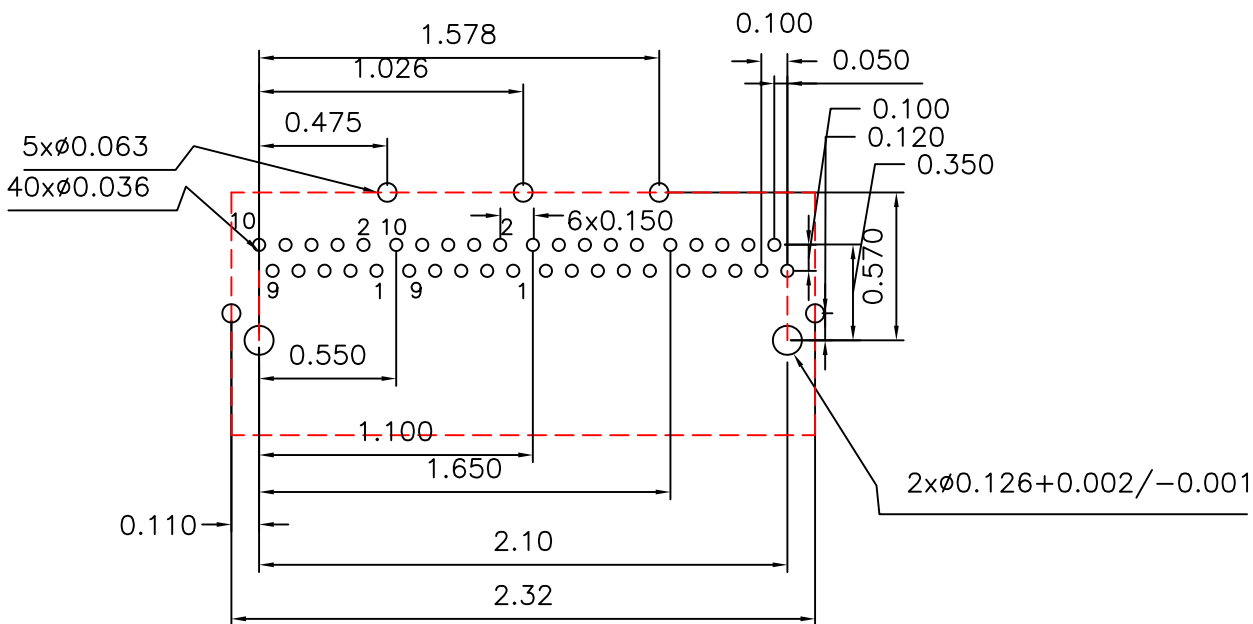
Top view



Front view



Side view



Four Port Suggested Footprint: (Top View)

DOC. REV: A/2

XFMRS Inc
www.XFMRS.com

Title: "1" FOUR PORT GIGABIT
COMBO TAB UP

UNLESS OTHERWISE SPECIFIED

P/N: XFGIB100JM-CTG4-4M

REV. A

TOLERANCES:

DWN.

Yuan

Jan-19-15

.xxx ±0.010

CHK.

YK Liao

Jan-19-15

Dimensions in Inch

APP.

DDC

Jan-19-15

SHEET 2 OF 2

PROPRIETARY:

Document is the property of XFMRS Group & is not allowed to be duplicated without authorization.