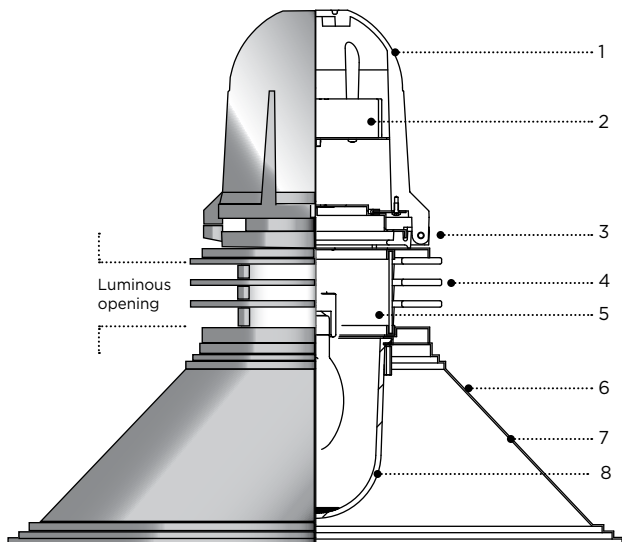


TYPE: QUANTITY: PROJECT:

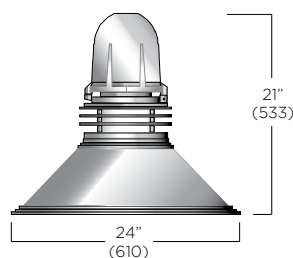
CATALOG NUMBER:

 FIXTURE WATTAGE VOLTAGE FINISH OPTION OPTION OPTION OPTION



- 1- Cast aluminum ballast housing.
- 2- Universal ballast tray with twist lock design.
- 3- Sealed and isolated lamp compartment.
- 4- Housing/shade assembly hinge mechanism.
- 5- Set of three cast aluminum louver rings.
- 6- White translucent acrylic UV stabilized luminous cylinder.
- 7- Structurally reinforced perimeter aluminum shade. Inner surface is standard white enamel for increased light performance.
- 8- Borosilicate prismatic heavy glass diffuser.

SR615T



EPA: 1.12

MATERIALS

Scirocco is made of corrosion resistant 356 aluminum alloy with a copper (CU) content of less than 0.1%. The top cast aluminum housing is designed with a hinged mechanism.

The luminous white translucent cylinder is made of acrylic UV stabilized contained in a set of three cast aluminum louver rings.

The heavy aluminum shade assembly is designed with a set of perimeter reinforcement ribs.

The inner surface is standard white enamel for higher light efficiency. The lower optical assembly includes a sealed borosilicate prismatic glass diffuser, secured with a silicone memory retention gasket.

The luminous top shade perimeter is designed with a set of three cast aluminum louver rings.

ELECTRICAL

HIGH INTENSITY DISCHARGE (H.I.D)

- BALLAST** Electronic 120/277V (347V on request) and a power factor greater than 90%. End of life protection with a minimum starting temperature of -20°C/-4°F.
- SOCKET** Medium base pulse rated 4KV porcelain body with a nickel plated screw shell, and center contact rated 600V. Supplied with 200°C leads.

COMPACT FLUORESCENT (CFL)

- BALLAST** 120/277V-50/60HZ multi volt or 347V electronic ballast with end of life protection. Minimum starting temperature of 0°F/-18°C.
- SOCKET** Thermoplastic body rated for 75W-600V. Supplied with 105°C leads.

FINISH

Five-stage preparation process including preheating of cast aluminum parts for air pocket extraction, and an environmentally friendly alloy sealant. Polyester powder coating is applied through an electrostatic process and oven cured for long term finish.

MOUNTING

Maximum weight: 22.5lbs (10.2kg)

Scirocco is designed as a modular luminaire concept offering a selection of mounting arrangements for various architectural requirements.

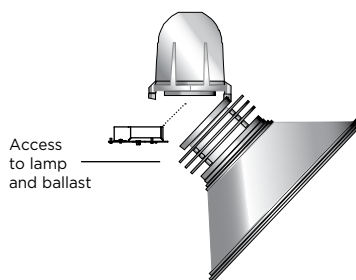
Pole, wall or suspended attachments are proposed with high quality components to meet multiple installation conditions.

CERTIFICATION

Tested to UL1598 and CSA 22.2 #250. ETL listed wet location.

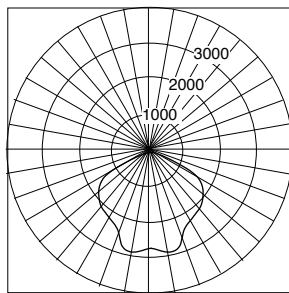
CE certification on request.

Rated IP65.



Scirocco is designed for ease of access to electrical and lighting compartment with a unique hinge mechanism concept.

TYPICAL PHOTOMETRY SUMMARY




Descriptive Information
 Total Lms: 12700 Lumens
 Total Input Watts: 150 W
 Source: HID
 Total efficiency: 68%
 BUG Rating: B3-U2-G1
 Distribution: Type V

SR615-M150E

Outdoor report Polar graph
 Maximum Candela = 1050

Please visit our web site www.luminis.com for complete I.E.S. formatted download data.

LUMINAIRE SELECTION

MODEL#	LAMP SELECTION ¹	VOLTAGE ²	FINISH
 <input type="checkbox"/> SR615	METAL HALIDE ⁶ ED LAMP TYPE <input type="checkbox"/> M50E ANSI M110 <input type="checkbox"/> M70E (ED17/E26 base) ANSI M98/M139/M143 <input type="checkbox"/> M100E ANSI M90/M140 <input type="checkbox"/> M150E ANSI M102/M142	<input type="checkbox"/> 120V <input type="checkbox"/> 277V <input type="checkbox"/> 347V <input type="checkbox"/> 120V <input type="checkbox"/> 277V <input type="checkbox"/> 120V <input type="checkbox"/> 277V <input type="checkbox"/> 347V	STANDARD COLORS <input type="checkbox"/> WHT Snow white <input type="checkbox"/> BKT Jet black <input type="checkbox"/> BZT Bronze <input type="checkbox"/> MST Matte silver <input type="checkbox"/> GRT Titanium gray <input type="checkbox"/> DGT Gun metal <input type="checkbox"/> CHT Champagne OPTIONAL COLORS <input type="checkbox"/> CS Custom color <input type="checkbox"/> RAL RAL# color (Refer to color chart)
	COSMOPOLIS™ Lighting System (includes lamps) <input type="checkbox"/> M60C <input type="checkbox"/> M90C (T6/PGZ12 base) 2800K, 70CRI } 90W/140W 277V Only <input type="checkbox"/> M140C		
	COMPACT FLUORESCENT Single lamp <input type="checkbox"/> F132 1X32W <input type="checkbox"/> F142 1X42W <input type="checkbox"/> F157 1X57W (Gx24q) Two lamps <input type="checkbox"/> F232 2X32W <input type="checkbox"/> F242 2X42W		

The CosmoPolis™ system offers a step-dimming option.
 The ballast will dim the 90W and 140W lamps to 60 % lamp power.
 The ballast calculates the mid-point of the evening, which is the starting point for 6 hour LumiStep™.
 8 or 10 hours LumiStep™ available on request. * CosmoPolis™ and LumiStep™ are registered trademarks of Royal Philips Electronics.

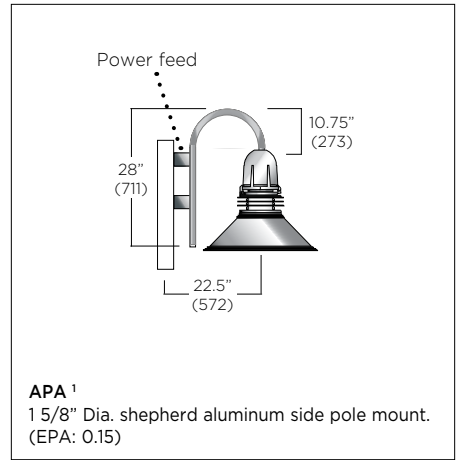
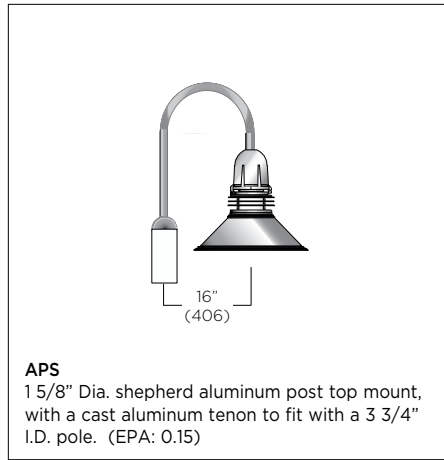
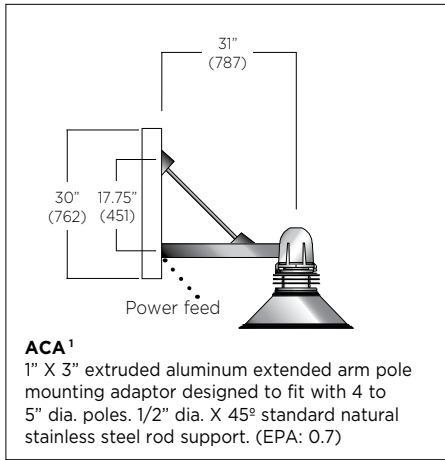
OPTIONS For details please refer to pages 3-4

ELECTRICAL	MOUNTING	ACCESSORIES
<input type="checkbox"/> FS Fuse ³ <input type="checkbox"/> PH Photocell ³ <input type="checkbox"/> QS 120V Max. 100W bayonet lamp base for emergency external power ⁴ <input type="checkbox"/> QRS Quartz lamp standby restrick. Max. 100W bayonet lamp. 120-277V ⁵	<input type="checkbox"/> ACA Pole mounted attachment with 45° support <input type="checkbox"/> ACW Wall mounted attachment with 45° support <input type="checkbox"/> APA Pole mounted shepherd arm attachment <input type="checkbox"/> APC Pole mounted straight arm attachment <input type="checkbox"/> APS Post top shepherd arm attachment <input type="checkbox"/> CAT Catenary suspension attachment <input type="checkbox"/> W Wall mounted shepherd arm attachment <input type="checkbox"/> T Wall mount straight arm attachment <input type="checkbox"/> STM 36" Field-cutttable stem with 45° swivel (other lengths available, please specify)	<input type="checkbox"/> SPG Silver braided power cord with adjustable suspension cable. 36" in length (other lengths on request). <input type="checkbox"/> SC Safety cable extends 18" over mounting plate (with stem mounting only) <input type="checkbox"/> SSC Stabilizer cables <input type="checkbox"/> HS House shield installed within the glass diffuser

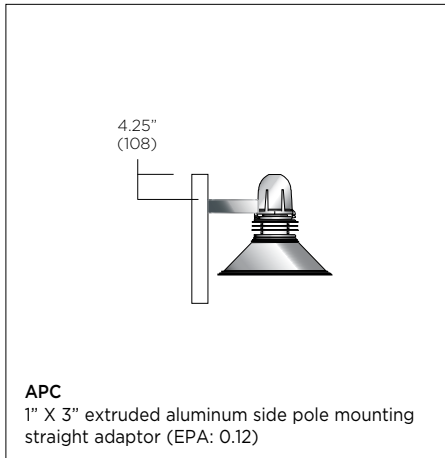
NOTES
 1- Unless otherwise noted, lamps are by others.
 2- Luminaires are factory prewired for 120V (if no voltage is specified.) For other voltages, please specify with catalog number, or consult factory.
 3- Fuse and photocell options are normally installed with poles when specified with Luminis luminaires. (Except for other types of mounting.)
 4- QS option requires a separate 120V emergency external power line.
 5- QRS option requires a 120/277V line.
 6- High Pressure Sodium sources are available on request.



POLE MOUNT



NOTE 1: PCA Pole with ACA and APA attachments require a 30" (762) tenon extension over pole nominal height. Factory installed.



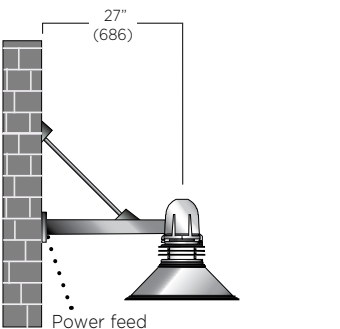
MATCHING POLE SELECTION

Ø 4"	Ø 5"	Ø 4"	Tapered Pole	Ø 4"	Height
PAA410	PAA510	PST10	-----	PSB10	10 Ft. (3 M)
PAA412	PAA512	PST12	-----	PSB12	12 Ft. (3,6 M)
PAA414	PAA514	PST14	-----	PSB14	14 Ft. (4,2 M)
PAA416	PAA516	PST16	PTA16	PSB16	16 Ft. (4,8 M)
PAA418	PAA518	-----	PTA18	PSB18	18 Ft. (5,5 M)
PAA420	PAA520	-----	PTA20	PSB20	20 Ft. (6,0 M)
-----	-----	-----	PTA25	-----	25 Ft. (7,6 M)

For additional pole details, please refer to separate pole specification sheet.
Ø 4"= 100mm Ø5"= 127mm

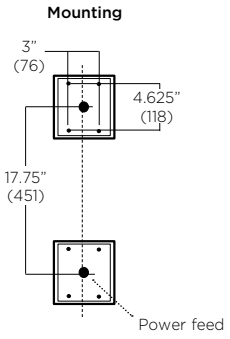
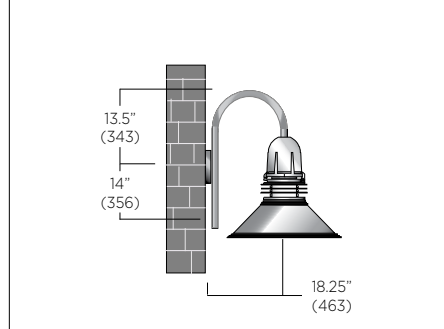


WALL MOUNT



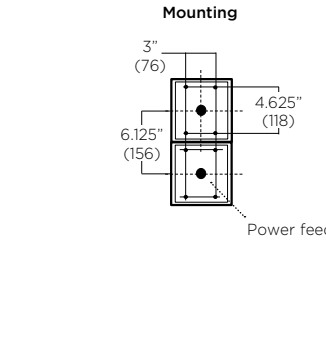
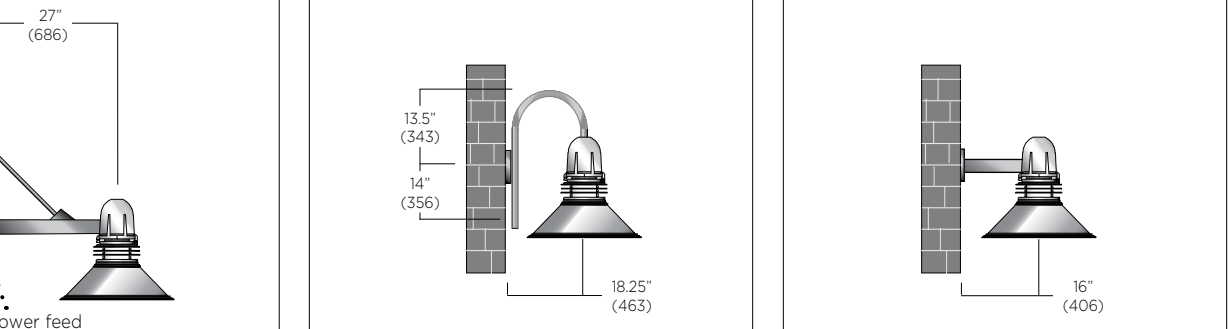
ACW
1" X 3" extruded aluminum extended arm wall mounting adaptor with cast aluminum covers and galvanized steel mounting plates. 1/2" dia. X 45° standard natural stainless steel rod support.

Mounting

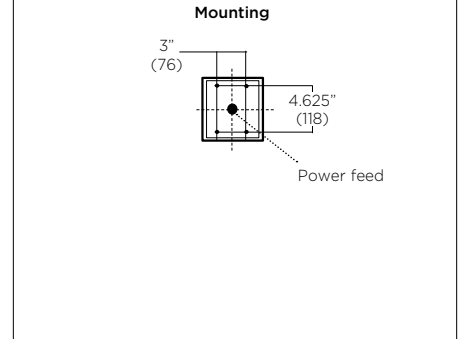
W
1 5/8" Dia. shepherd aluminum arm wall mount, with a cast aluminum wall cover and galvanized steel mounting plate.

Mounting

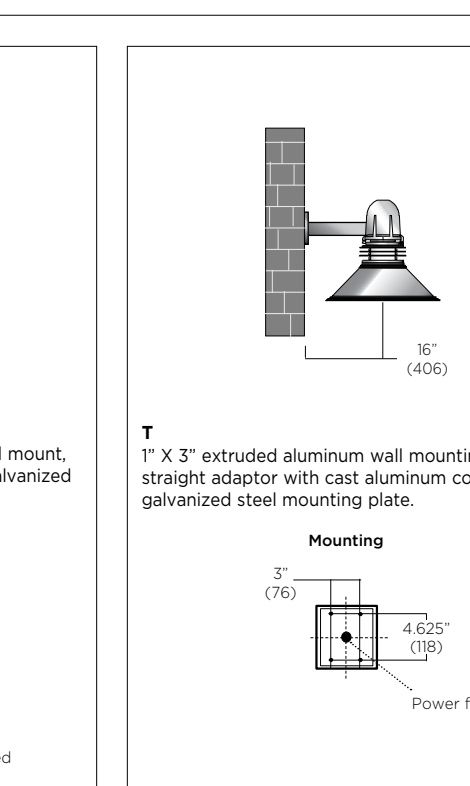



T
1" X 3" extruded aluminum wall mounting straight adaptor with cast aluminum cover and galvanized steel mounting plate.

Mounting

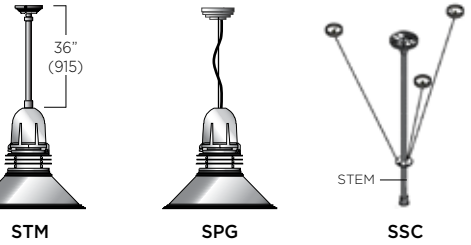


CATENARY SUSPENSION



CAT
Attachment includes a sealed cast aluminum connection box with (2) 1/2" sealed connectors for armored power cable (by Others). Ready to accept 1/4" stainless steel suspension cable. (By others)

CEILING PENDANT MOUNT



STM
36" lg. (914) stem with 45° swivel ceiling mount Ø 5/8" (16) aluminum suspension stem.

SPG
4/18 Silver braided power cable, with stainless steel adjustable cable. Standard 36" lg. (914). Other lengths available on request.

SSC
Set of three stabilizer cables

