

Table of Contents-

1.	GENERAL DESCRIPTION	2
2.	FEATURES	2
3.	BLOCK DIAGRAM	2
4.	PIN DESCRIPTION.....	3
5.	ABSOLUTE MAXIMUM RATINGS.....	3
6.	ELECTRICAL CHARACTERISTICS.....	3
7.	APPLICATION CIRCUIT	4
8.	REVISION HISTORY	5

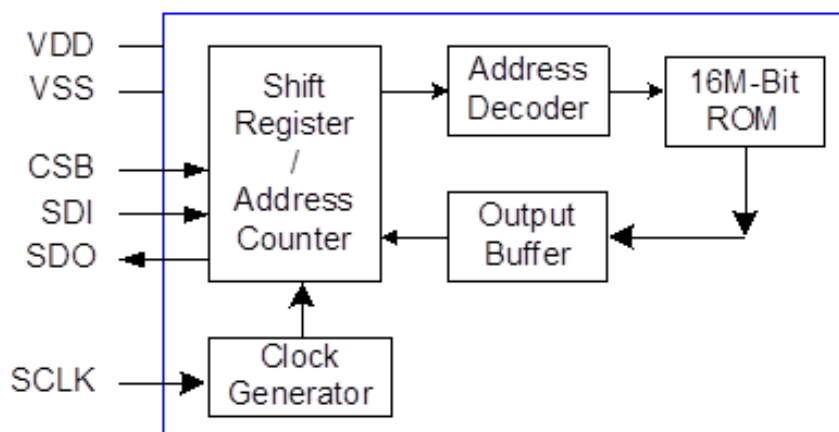
1. GENERAL DESCRIPTION

The N551C161 is an 16-Mbit Mask ROM with interface with Nuvoton PowerSpeech, BandDirector and ViewTalk series products to extend the memory size for long duration applications.

2. FEATURES

- Wide range of operation voltage: 2.4 ~ 5.5V @ normal read mode
- ROM size: 16-Mbit
- SPI ROM interface
- Normal read access time: 500 nS
- Operating current: 2.5mA (max.)
- Available package form:
 - COB is essential

3. BLOCK DIAGRAM



4. PIN DESCRIPTION

SYMBOL	I/O	FUNCTION
SDI	I	Command/address input
SDO	O	Data output
SCLK	I	Clock input
CSB	I	Chip select input, low active. When CSB is High, chip is in standby mode and SDO pin is at high impedance
VSS	I	Microcontroller Negative power supply (-).
VDD	I	Microcontroller Positive power supply (+).

5. ABSOLUTE MAXIMUM RATINGS

ITEM	SYMBOL	CONDITIONS	RATED VALUE	UNIT
Power Supply	VDD – VSS	-	-0.3 ~ +7.0	V
Input Voltage	V _{IN}	All Inputs	VSS-0.3 ~ VDD+0.3	V
Storage Temp.	T _{STG}	-	-55 ~ +150	°C
Operating Temp.	T _{OPR}	-	0 ~ +70	°C

NOTE: Operating the device under conditions beyond those indicated above may cause permanent damage or affect device reliability

6. ELECTRICAL CHARACTERISTICS

DC Parameters

(VDD–VSS = 4.5V±10%, TA = 25° C; unless otherwise specified)

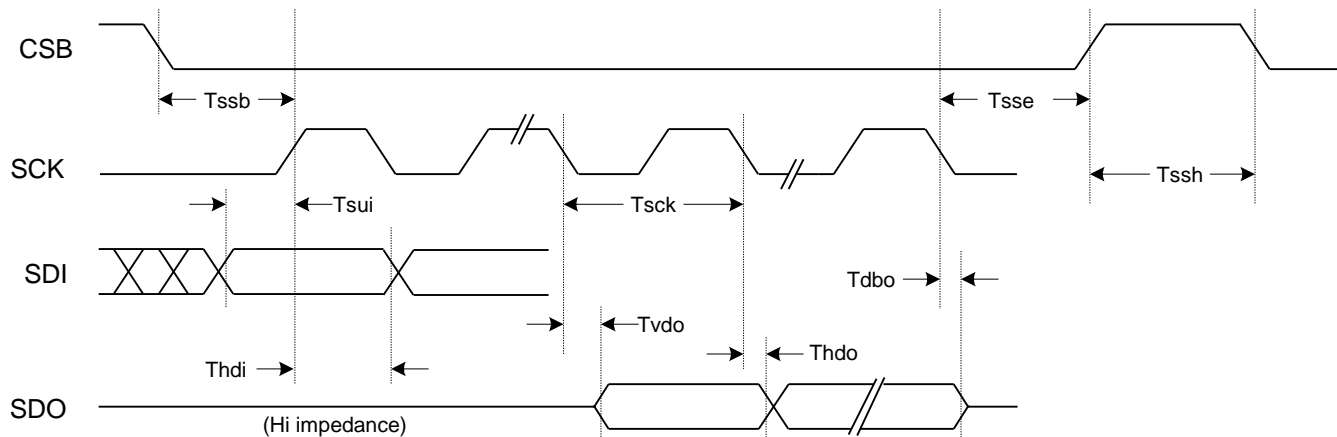
PARAMETER	SYM.	CONDITIONS	MIN.	TYP.	MAX.	UNIT
Operating voltage	VDD		2.4		5.5	V
Operation current	I _{op2}	SPI interface mode, data output rate 2MHz			2.5	mA
Standby current	I _{sb}	VDD=5.5V			4	μA
Output high current	I _{oh}	V _{out} =4.0V		-5		mA
Output low current	I _{ol}	V _{out} =0.5V		5		mA
Input Low Voltage	V _{IL}	All input pins	-0.3	-	0.8	V
Input High Voltage	V _{IH}	All input pins	2.0	-	VDD	V

AC Parameters

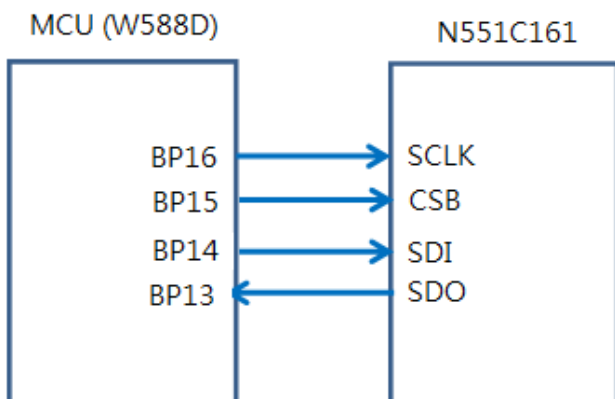
(VDD-VSS = 4.5V±10%, TA = 25° C; unless otherwise specified)

PARAMETER	SYM.	CONDITIONS	MIN.	TYP.	MAX.	UNIT
Serial clock period	Tsck	Data Read	500			nS
		Fast Data Read	250			nS
Select lead time	Tssb		100			nS
Data input setup time	Tsui		20			nS </td
Data input hold time	Thdi		20			nS
Data output valid time	Tvdo				85	nS

SPI Mode Interface



7. APPLICATION CIRCUIT



8. REVISION HISTORY

Version	Date	Substantial Changes	Page
A1.0	Sep. 2012	Initial Release	All
A2.0	Jul. 2012	Revise interface of application circuit	

Important Notice

Nuvoton Products are neither intended nor warranted for usage in systems or equipment, any malfunction or failure of which may cause loss of human life, bodily injury or severe property damage. Such applications are deemed, “Insecure Usage”.

Insecure usage includes, but is not limited to: equipment for surgical implementation, atomic energy control instruments, airplane or spaceship instruments, the control or operation of dynamic, brake or safety systems designed for vehicular use, traffic signal instruments, all types of safety devices, and other applications intended to support or sustain life.

All Insecure Usage shall be made at customer’s risk, and in the event that third parties lay claims to Nuvoton as a result of customer’s Insecure Usage, customer shall indemnify the damages and liabilities thus incurred by Nuvoton.

*Please note that all data and specifications are subject to change without notice.
All the trademarks of products and companies mentioned in this datasheet belong to their respective owners.*