



Film Capacitors – AC Capacitors

Motor run capacitors

Series/Type: CBB65A-1
Ordering code: B33335*
Date: July 2016
Version: 1

© EPCOS AG 2016. Reproduction, publication and dissemination of this publication, enclosures hereto and the information contained therein without EPCOS' prior express consent is prohibited.

EPCOS AG is a TDK Group Company.

Construction

- Metallized polypropylene film
- Aluminum can and top
- Filling material: soft polyurethane resin

Features

- Self-healing properties
- Low dissipation factor
- Overpressure disconnection safety device
- S2 safety class as per IEC-60252-1(ed-2) am1
- High insulation resistance
- EN 60335-1 compliance


Typical applications

- For general sine wave application, mainly as motor run






Terminals

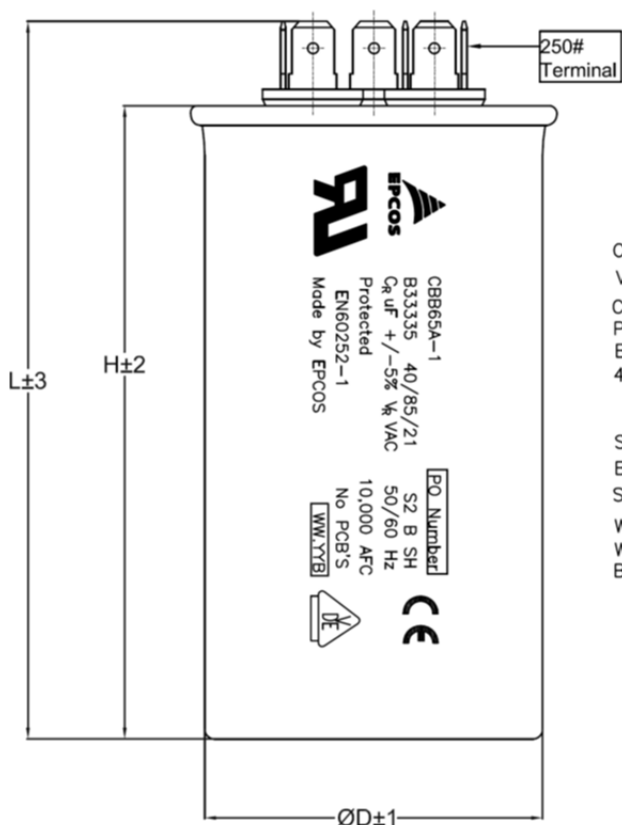
- 2+3+4 fast-on terminal 6.3 x 0.8mm (#250 style) others on request

Mounting Parts (optional)

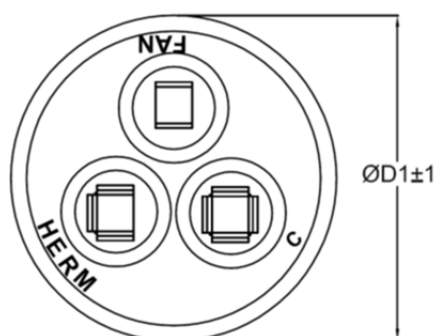
- Threaded stud at bottom of can (M8, Max torque= 5 Nm for 50 mm diameter)

Technical data and specifications	
Reference standards	DIN EN 60252-1:2014-07, IEC 60252-1 (ed 2) am1 UL 810, GB/T3667.1
Safety class to IEC 60252-1 2013	S2
Life expectancy to IEC 60252-1 2013	450 V : 30000 h (Class A)
Rated capacitance C_R	See table ordering code, page 5
Tolerance Tx	+/- 5%
Rated voltage V_{rms}	450 V , others on request
Rated frequency f_R	50/60 Hz
Maximum ratings	
Maximum permissible voltage V_{max}	$1.1 \cdot V_R$ (V_R = Rated voltage)
Maximum permissible current I_{max}	$1.3 \cdot I_R$ (I_R = Rated current)

Test data	
AC test voltage terminal to terminal V_{TT}	$2.0 \bullet V_{Rv}$, 2 s
Insulation voltage terminals to case	3000 V AC, 2 s
Insulation resistance R_{ins} or time constant +20 °C, rel. humidity $\leq 65\%$ (minimum as-delivered values)	10000 s
Dissipation factor $\tan \delta$ at +20 °C	$\leq 7 \bullet 10^{-3}$ (1 kHz)
Maximum rate of voltage rise dV/dt_{max}	10 V/ μ s
Climatic data	
Climatic category	40/085/21 to IEC 60068-1
Lower category T_{min}	-40° C
Upper category T_{max}	+85° C
Damp heat test t_{test}	21 days
Mechanical and thermal properties of terminal insulator material	
Terminal material <ul style="list-style-type: none"> ■ UL 94 V0 compatible ■ Glow wire test to IEC60335-1 ■ Test temperature +750 °C ■ Part is compatible to EN 60335-1 	Self-extinguishing within 2 seconds of withdrawing glow wire without igniting wrapping tissue of GWT
Compatibility to RoHS	
Compliance to directive 2011/65/EU	
Approvals: See table for approved ratings	
 US UL File E 238746	Approved component 10000 AFC
VDE EN 60252-1 	Approved up to 65+15 uF, 450 V / 85 °C : 30000 h (Class A)
CQC 	Approval on request
	Compliance to LV directive 2014/35/EU

Dimensional drawing and marking


Cr – Capacitance
 Vr – Rated Voltage
 CBB65A-1 – Product family
 PO Number : Production Order Number
 B33335 – Series
 40/085/21 – Lower temperature limit : -40°C
 – Upper temperature limit : 85°C
 – Damp heat test : 21 days
 S2: Safety class as per IEC60252-1
 B: Life expectancy as per IEC60252-1
 SH – Self Healing type MPP Capacitor
 WW.YYB – WEEK CODE
 WW-WEEK YY-YEAR (e.g. 42.15)
 B- FOR BAWAL



Ordering codes and packing unit

V_R	C_R	Case dimensions (D x H) mm	D1 mm	L mm	Ordering code	Packing unit	Approval
V AC	μF						
450	12+1.5	50 x 57	53	70	B33335B6121J0#X	36	VDE/UL
	20+2	50 x 67	53	80	B33335B6027J0#X	36	VDE/UL
	30+2	50 x 77	53	90	B33335B6146J0#X	36	VDE/UL
	35+5	63.5 x 75	66.5	88	B33335B6040J0#X	25	VDE/UL
	35+8	50 x 87	53	100	B33335B6058J0#X	36	VDE/UL
	40+5	55 x 100	58	113	B33335B6042J0#X	36	VDE/UL
	45+2	50 x 102	53	115	B33335B6064J0#X	36	VDE/UL
	50+2	60 x 102	63	90	B33335B6129J0#X	25	VDE/UL
	50+3.5	60 x 102	63	115	B33335B6126J0#X	25	VDE/UL
	55+7.5	55 x 100	58	113	B33335B6149J0#X	36	VDE/UL
	60+3.5	60 x 102	63	115	B33335B6137J0#X	25	VDE/UL
	60+5	63.5x 102	66.5	115	B33335B6130J0#X	25	VDE/UL
	60+7.5	63.5 x 102	66.5	115	B33335B6131J0#X	25	VDE/UL
60+8	63.5 x 102	66.5	115	B33335B6248J0#X	25	VDE/UL	

Composition of ordering code

: Construction

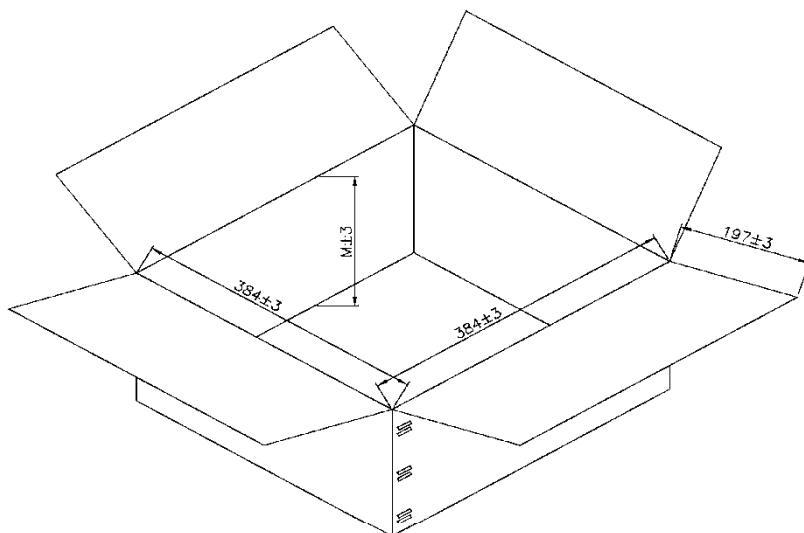
- 6 Aluminium can flat type, 2+3+4 Fast-on terminal
- 8 Aluminium can M8 Bolt, 2+3+4 Fast-on terminal

X: 0 as per this dimension and properties

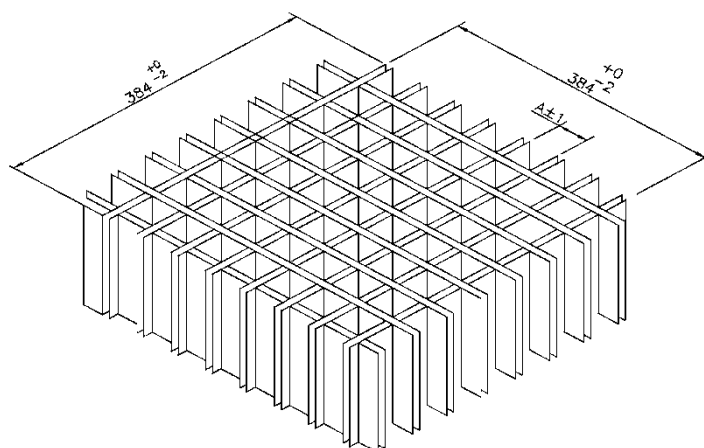
1-9 special dimension and properties

Display of ordering codes for EPCOS products

The ordering code for one and the same EPCOS product can be represented differently in data sheets, data books, other publications, on the EPCOS website, or in order-related documents such as shipping notes, order confirmations and product labels. **The varying representations of the ordering codes are due to different processes employed and do not affect the specifications of the respective products.** Detailed information can be found on the Internet under www.epcos.com/orderingcodes

Packing box


$$M = H(\text{Capacitor height}) + \text{Terminal height} + 10\text{mm min.}$$



⚠ Please read “Applications warning, installation and maintenance instructions” and the “ZVEI - General safety recommendations for power capacitors”, which are available on the Internet at www.epcos.com/ac_capacitors, to ensure optimum performance and to prevent products from failing, and in worst case, bursting and fire. Information given in the data sheet reflects typical specifications.

Important notes

The following applies to all products named in this publication:

1. Some parts of this publication contain **statements about the suitability of our products for certain areas of application**. These statements are based on our knowledge of typical requirements that are often placed on our products in the areas of application concerned. We nevertheless expressly point out **that such statements cannot be regarded as binding statements about the suitability of our products for a particular customer application**. As a rule, EPCOS is either unfamiliar with individual customer applications or less familiar with them than the customers themselves. For these reasons, it is always ultimately incumbent on the customer to check and decide whether an EPCOS product with the properties described in the product specification is suitable for use in a particular customer application.
2. We also point out that **in individual cases, a malfunction of electronic components or failure before the end of their usual service life cannot be completely ruled out in the current state of the art, even if they are operated as specified**. In customer applications requiring a very high level of operational safety and especially in customer applications in which the malfunction or failure of an electronic component could endanger human life or health (e.g. in accident prevention or life-saving systems), it must therefore be ensured by means of suitable design of the customer application or other action taken by the customer (e.g. installation of protective circuitry or redundancy) that no injury or damage is sustained by third parties in the event of malfunction or failure of an electronic component.
3. **The warnings, cautions and product-specific notes must be observed.**
4. In order to satisfy certain technical requirements, **some of the products described in this publication may contain substances subject to restrictions in certain jurisdictions (e.g. because they are classed as hazardous)**. Useful information on this will be found in our Material Data Sheets on the Internet (www.epcos.com/material). Should you have any more detailed questions, please contact our sales offices.
5. We constantly strive to improve our products. Consequently, **the products described in this publication may change from time to time**. The same is true of the corresponding product specifications. Please check therefore to what extent product descriptions and specifications contained in this publication are still applicable before or when you place an order. We also **reserve the right to discontinue production and delivery of products**. Consequently, we cannot guarantee that all products named in this publication will always be available. The aforementioned does not apply in the case of individual agreements deviating from the foregoing for customer-specific products.
6. Unless otherwise agreed in individual contracts, **all orders are subject to the current version of the "General Terms of Delivery for Products and Services in the Electrical Industry" published by the German Electrical and Electronics Industry Association (ZVEI)**.
7. The trade names EPCOS, Alu-X, CeraDiode, CeraLink, CeraPad, CeraPlas, CSMP, CSSP, CTVS, DeltaCap, DigiSiMic, DSSP, ExoCore, FilterCap, FormFit, LeaXield, MiniBlue, MiniCell, MKD, MKK, MotorCap, PCC, PhaseCap, PhaseCube, PhaseMod, PhiCap, PQSine, SIFERRIT, SIFI, SIKOREL, SilverCap, SIMDAD, SiMic, SIMID, SineFormer, SIOV, SIP5D, SIP5K, TFAP, ThermoFuse, WindCap are **trademarks registered or pending** in Europe and in other countries. Further information will be found on the Internet at www.epcos.com/trademarks.