



NEVALO SSL System

18W Triac Dimmable LED Driver

700mA Constant Current

Features

- › High efficiency, 78% typical
- › Power factor >.0.95
- › UL recognized, Class 2 isolation
- › Dimming to less than 10%
- › Compatible with most leading-edge and trailing-edge dimmers
- › Protection
 - › 4 wire output thermal protection
 - › Short circuit
 - › Input high voltage
 - › Over voltage
 - › Over current
- › Dry and damp location compatible
- › 5 year warranty with NEVALO System

The NEVALO 18W 700mA triac dimmable LED driver is a high efficiency, power factor corrected supply with a unique color coded, keyed interconnect design that ensures optimal power is delivered to LEDs. The driver is designed with built-in voltage and thermal protection and is warranted for 5 years when used with the NEVALO SSL System.

APPLICATIONS

- › Retail and light commercial
- › Downlights
- › Track and spots
- › Wall mount

MECHANICAL CONSTRUCTION

Body: GF PBT, Natural

Input Wire: 18AWG Stranded, UL 1007 PVC 300V,

- › Neutral - White
- › Line/Mains - Black

NEVALO Connector: GF LCP, Natural

ENVIRONMENTAL

Storage Temperature: -40°C to 85°C

Temperature (Max) T_c: 80°C

Max Ambient Operating Temperature: 50°C

Operational Life: 5 years

Humidity: 5-95% non-condensing

Sound: Class A

Vibration: EIA-364-28

ROHS Compliant: Yes

ELECTRICAL CHARACTERISTICS

	Parameter	Conditions	Min	Typ	Max	Units
Input	Voltage (V _{in})		108	120	132	VAC
	Frequency (freq _{in})		47		63	Hz
	Power Factor (PF)	V _{in} = 120VAC at rated load	0.95			WVA
	Efficiency	I _o at rated load, V _{in} = 110VAC		78		%
	THD	V _{in} = 120VAC at rated load			15	%
	Inrush Current (I _{in}) MAX	V _{in} = 120VAC			0.4	A
Output	Voltage (V _o)	At rated load	8		25	VDC
	Current (I _o)			700		mA
	Current Regulation			3	5	%
	Set Point Current Accuracy	V = 108VAC-132VAC			3	%
	Ripple Current (I _r)	No dimming			40	%
Dimming	Analog Dimming Resolution		1		100	%
	Start-Up Time	V _{in} = 110VAC to 90% of full scale of IO No dimmer or 100% of Full Scale Current 50% of Full Scale Current 10% of Full Scale Current 1% of Full Scale Current		.2 .5 1 2.5		s s s s
Protection	Over-Voltage Limit Threshold			YES		
	Output Current Short Protection			YES		
	Short and Open Circuit			YES		

Typical values are at T_c = 25°C

nevalo.com
te.com



NEVALO SSL System

18W Triac Dimmable LED Driver

700mA Constant Current

ORDERING INFORMATION

Part Number	Output Power (W)	Nominal Input Voltage (VAC)	Output Current (mA)	Output Voltage (Min)	Output Voltage (Max)	System Budget
2154095-1	18	120 +/- 10%	700	8	25	8-25

*System Budget is a unique NEVALO SSL system feature that allows the appropriate LED Light Module (LLM) loading to the driver. Red = 700mA and matches color coding on driver.

DOCUMENTS

Click for link to document	
Product Specification	108-2450
Customer Drawing	2154095-1
IS sheet	408-10419

ELECTROMAGNETIC COMPATIBILITY

Parameter	Conditions
EMI Conducted and Radiated	FCC Title 47, Part 15, Class B
Surge Immunity	ANSI/IEEE C62.41. - 1991 100 KHz ring wave 2.5 KV level
ESD Immunity	EN61000-4-4, Level 2

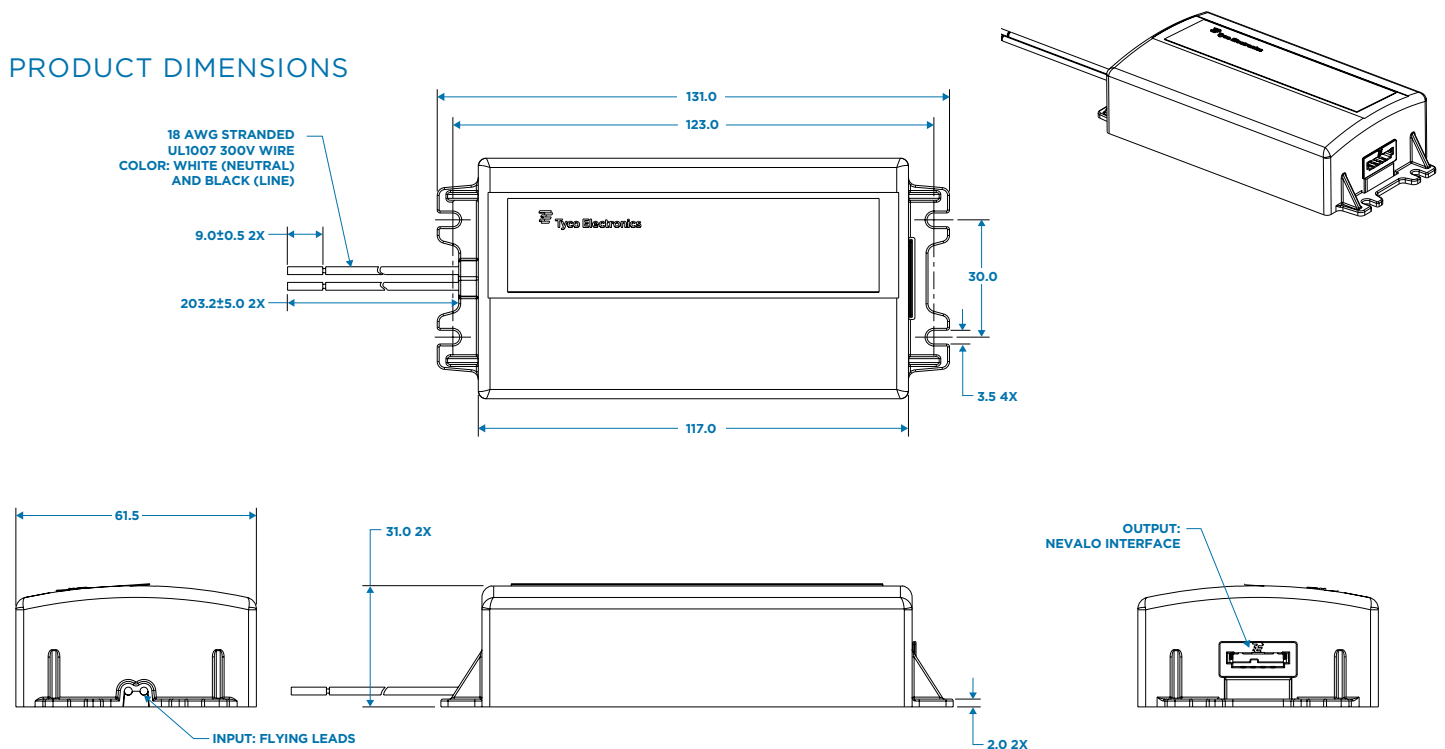
As assembled into complete product

APPROVALS

Parameter	Standard
USA Safety	UL 8750 Recognized, compliant to UL 1310

As assembled into complete product

PRODUCT DIMENSIONS



nevalo.com
te.com