

**SURFACE MOUNT SCHOTTKY
BARRIER RECTIFIERS**
SS22A--SS210A**FEATURES**

- Schottky barrier rectifier
- Guarding protection
- Reverse energy tested
- High current capability
- Extremely low thermal resistance

**MECHANICAL DATA**

- Case: SMA molded plastic body
- Polarity: Color band denotes cathode end
- Mounting position: ANY

Maximum Ratings (@TA = 25°C unless otherwise specified)

Characteristic	Symbol	SS22A	SS23A	SS24A	SS245A	SS25A	SS26A	SS28A	SS29A	SS210A	UNITS
Maximum repetitive peak reverse voltage	V_{RRM}	20	30	40	45	50	60	80	90	100	V
Maximum RMS voltage	V_{RWS}	14	21	28	31	35	42	56	63	70	V
Maximum DC blocking voltage	V_{DC}	20	30	40	45	50	60	80	90	100	V
Maximum average forward rectified current at $T_L=90^\circ\text{C}$	$I_{F(AV)}$	2.0									A
Peak forward surge current 8.3ms single half-sine-wave	I_{FSM}	50									A

Thermal Characteristics

Characteristic	Symbol	SS22A	SS23A	SS24A	SS245A	SS25A	SS26A	SS28A	SS29A	SS210A	UNITS
Maximum thermal resistance	$R_{\theta JL}$	28									$^\circ\text{C}/\text{W}$
Total Capacitance	C_J	75									PF
Operating temperature range	T_J	-55 ---- +125						-55 ---- +150			$^\circ\text{C}$
Storage temperature range	T_{STG}	-55 ---- +150									$^\circ\text{C}$

Electrical Characteristics (@TA = 25°C unless otherwise specified)

Characteristic	Symbol	SS22A	SS23A	SS24A	SS245A	SS25A	SS26A	SS28A	SS29A	SS210A	UNITS
Maximum instantaneous forward voltage @ $I_F=2.0\text{A}$	V_F	0.50				0.75		0.85			V
Maximum DC reverse current $T_J=25^\circ\text{C}$ at rated DC blocking voltage $T_J=125^\circ\text{C}$	I_R	0.4						0.03			mA
		10						5.0			



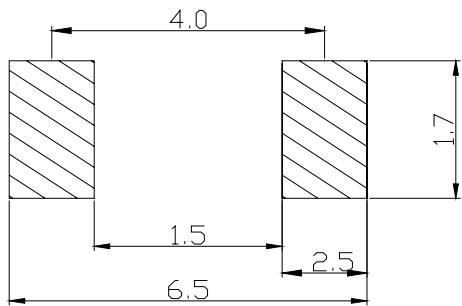
**SURFACE MOUNT SCHOTTKY
BARRIER RECTIFIERS**

SS22A--SS210A

PACKAGE OUTLINE DIMENSIONS

DO-214AC(SMA)		
Dim	Min	Max
A	4.25	4.65
B	2.40	2.80
C	1.85	2.15
D	4.85	5.35
E	0.10	0.30
F	0.90	1.50
G	0.20MAX	
H	1.90	2.30
I	1.35	1.65
All Dimensions in mm		

SOLDERING FOOTPRINT



Unit : mm

PACKAGE INFORMATION

Device	Package	Shipping
SS22A--SS210A	DO-214AC(SMA)	5000/Tape&Reel



**SURFACE MOUNT SCHOTTKY
BARRIER RECTIFIERS**

SS22A--SS210A

FIG.1 – FORWARD DERATING CURVE

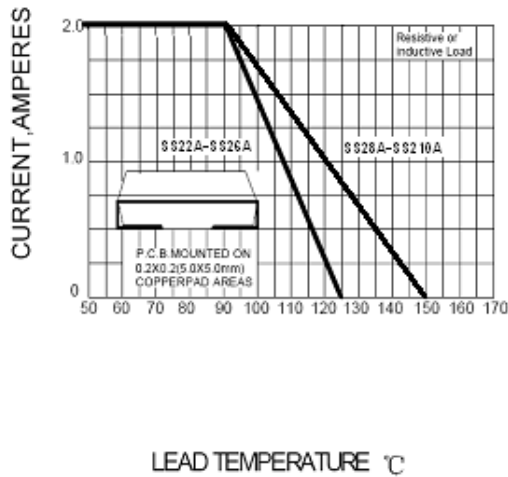


FIG.2– PEAK FORWARD SURGE CURRENT

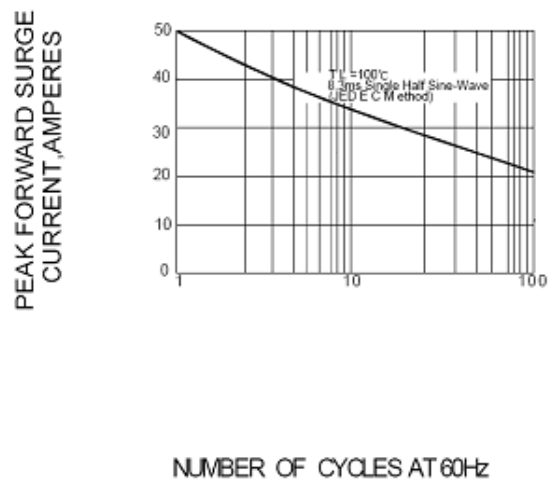


FIG.3 – TYPICAL FORWARD CHARACTERISTICS

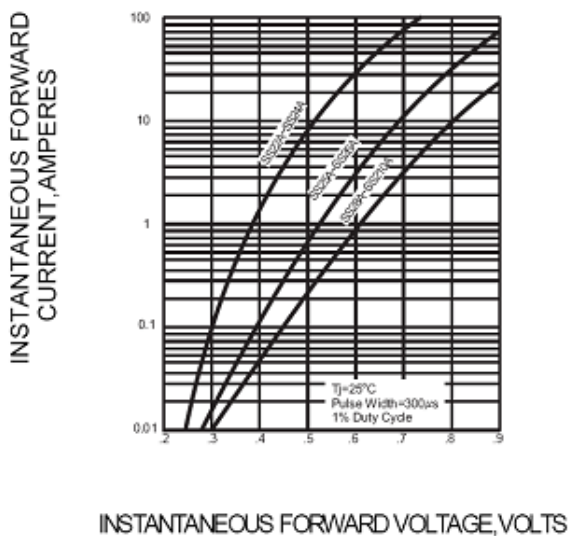


FIG.4 – TYPICAL REVERSE CHARACTERISTICS

