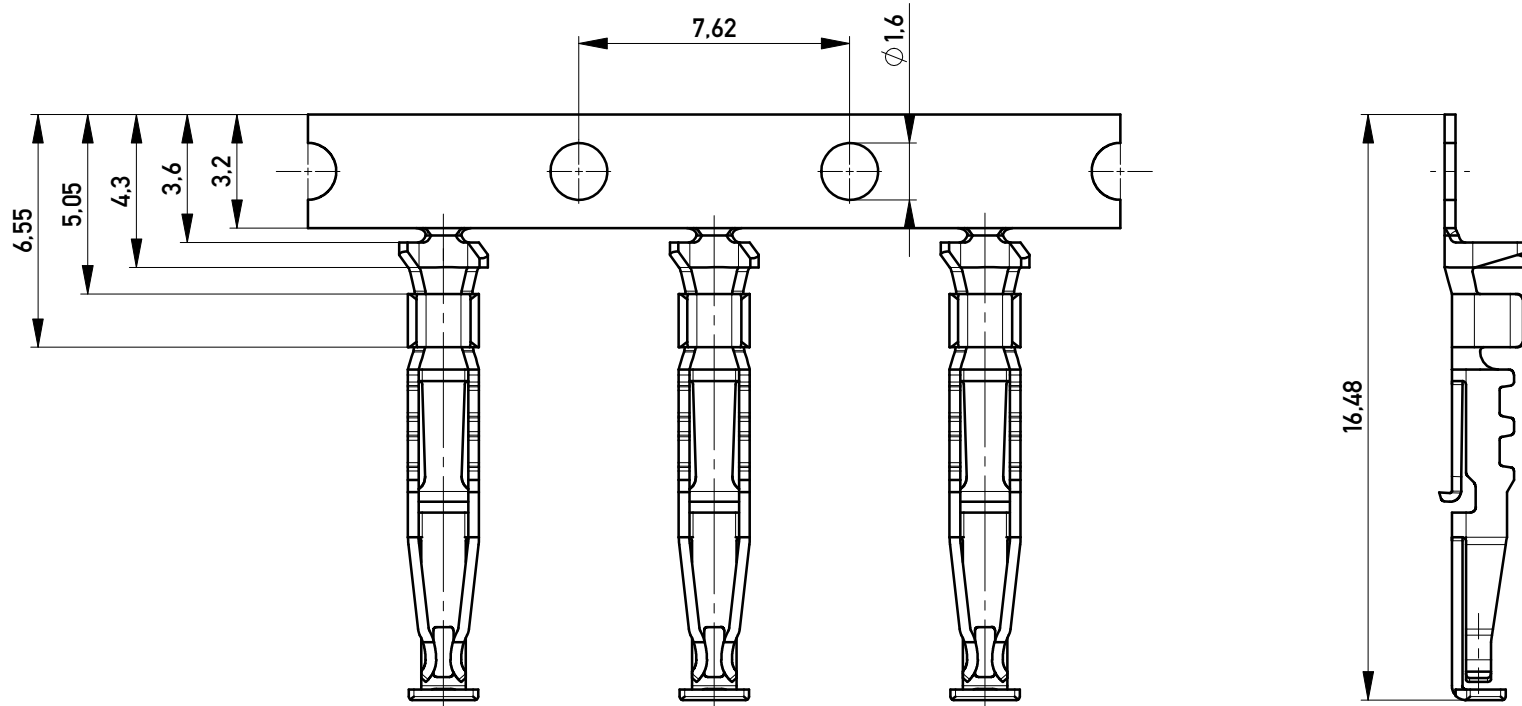
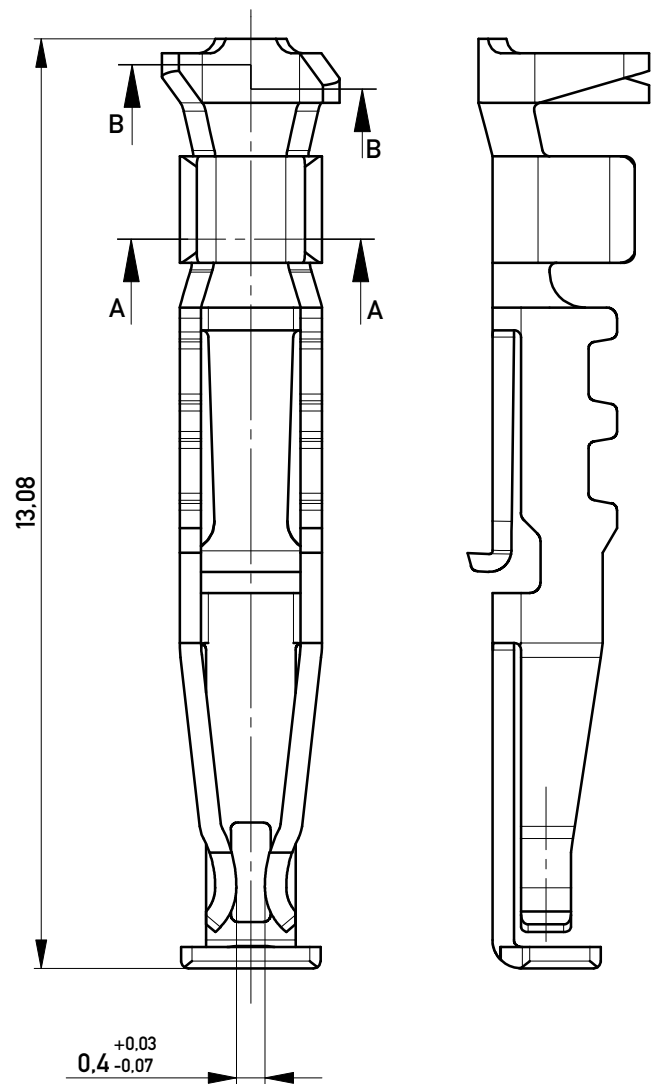


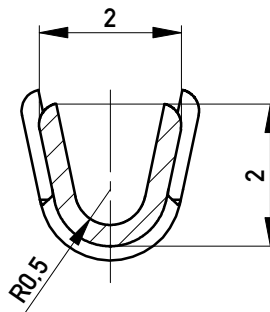
### Federkontakte am Band



### Federkontakt vereinzelt

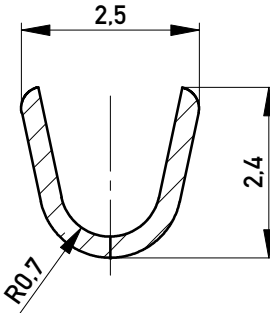


#### Schnitt A-A M 10:1

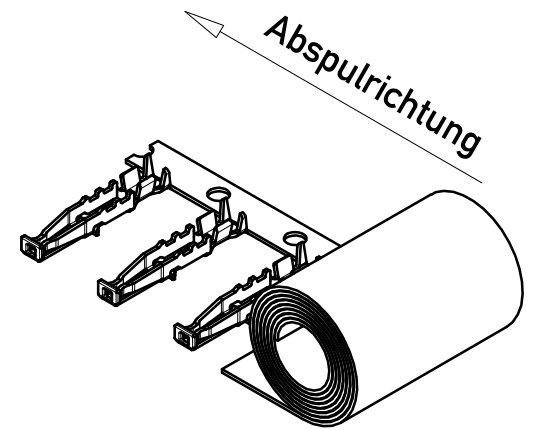


Drahtcrimp

#### Schnitt B-B M 10:1



Isolationscrimp



<sup>1</sup> AWG 20 für Isolationsdurchmesser < 1,5mm

AWG 20-22 <sup>1</sup>	10000	Ø 630	137	
Leiterquerschnitt <i>wire cross section</i>	Menge	Spulen- durchmesser	Anforder- ungsstufe	Bemerkung

Information:  All rights reserved. Only for Information. To ensure that this is the latest version of this drawing, please contact one of the ERNI companies before using.	Tolerances	Scale 2:1 All Dimensions in mm	Designation <b>Federkontakte 2,54 SRC-A BA1</b> <i>Spring contact 2,54 SRC-A</i>
	f Index	10.04.2013 Date	www.ERNI.com <b>102202070001</b>
		Class	SRCBUT

Copyright by ERNI GmbH  
 Proprietary notice pursuant to ISO 16016 to be observed.