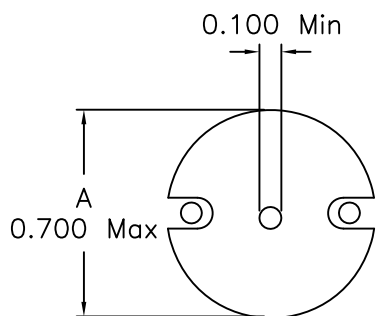
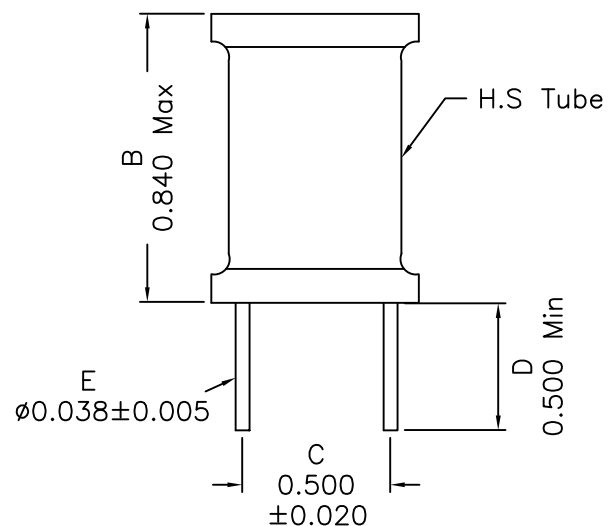
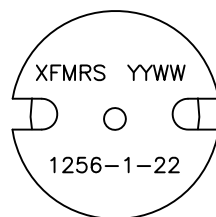


1. Mechanical Dimensions:

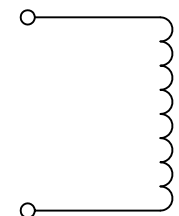


(BOTTOM VIEW)

MARKING: (ON TOP)



2. Schematic:



3. Electrical Specifications: @25°C

OCL: 22uH±20% @1.0KHz 0.25V

Q: 2.0 Min @1.0KHz 0.25V

Irated: 5.5Arms (Based on 40°C Temp Rise)

Isat: 15.8Adc (Based on 5% drop in OCL)

DCR: 0.025 Ohms Max

HIPOT: 1000Vac, Wdg to Core

Notes:

1. Solderability: Leads shall meet MIL-STD-202G, Method 208H for solderability.
2. Flammability: UL94V-0
3. ASTM oxygen index: > 28%
4. Insulation System: Class F 155°C. UL file E151556
5. Operating Temperature Range: All listed parameters are to be within tolerance from -40°C to +85°C
6. Storage Temperature Range: -55°C to +125°C
7. Aqueous wash compatible
8. Electrical and mechanical specifications 100% tested
9. RoHS Compliant Component

DOC. REV: A/3

XFMRS Inc www.XFMRS.com	Title: Radial Leaded Inductor		
	UNLESS OTHERWISE SPECIFIED TOLERANCES: .xxx ±0.010 Dimensions in Inch	P/N: XFRL-1256-1-22	REV. A
SHEET 1 OF 1	APP.	BSJ	May-08-13