

▶▶▶ Industrial IP67 Waterproof Connectors

Use the EB-RJF industrial Ethernet connectors and plugs to make ultra-rugged and reliable connections indoors or outdoors that are water, corrosion and vibration proof.

The EB-RJF-BLKHD industrial bulkhead (through-wall) connector gives you a watertight pass-through Ethernet connection. The mating EBRJF-PLUG industrial Ethernet plug is field installable around a standard RJ45 Ethernet connector. These rugged connectors and plugs are the perfect match for the Etherbus Kevlar-reinforced super-rugged Ethernet cabling.



PRODUCT HIGHLIGHTS

- > IP67 (NEMA 6) rated to protect against fluids (water, oil, etc.) and dust
- > Shock, vibration and traction (pulling) resistant
- > Strain relief prevents cable breaks
- > Circular reverse-bayonet (1/4-turn) for the quickest and easiest latching – saves time!
- > Field-installable plugs – No tools required!
- > Fits over standard Ethernet cables
- > Truly industrial rated for any application

ETHERNET PERFORMANCE

Ethernet data rates supported 10/100/1000 Base T
Cat 5E cable supported per TIA/EIA 568B and ISO/IEC 11801, Class D
Cat 6 cable supported per TIA/EIA 568B and ISO/IEC 11801, Class E

MECHANICAL CHARACTERISTICS

Coupling (connection method) Reverse bayonet – just a quarter turn and lock
RJ45 cordset retention in the plug 70 N in the axis
Mating cycles 500 minimum

ENVIRONMENTAL

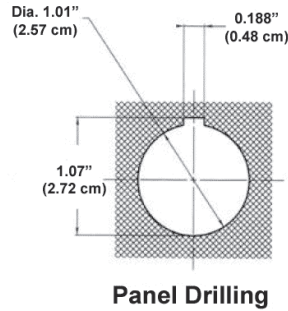
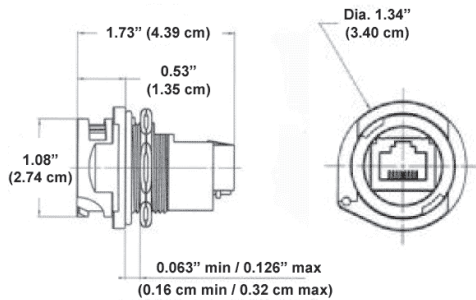
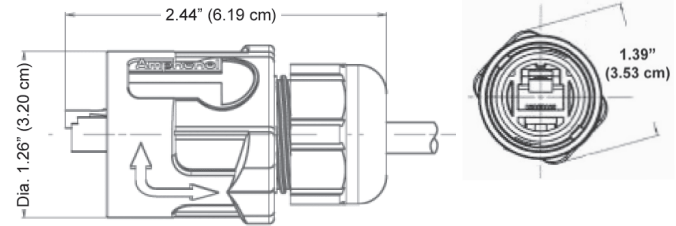
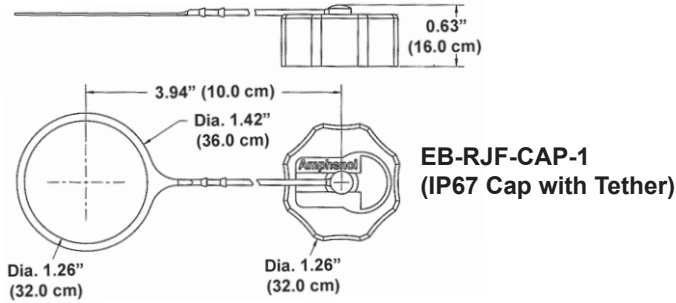
Sealing protection IP67 and NEMA 6 – dust, oil and water-proof to 1 meter for >30 min
Salt spray protection 1000 hours minimum
Fire retardant / low smoke UL94 V0; NFF 16102, DIN 5510-2
Thermal shock 5 cycles @ -40°C to +100°C
Operating temperature -40°C to +85°C
ROHS Compliant

All specifications are subject to change. Consult factory for latest info.

ORDERING GUIDE

PART NUMBER	DESCRIPTION
EB-RJF-BLKHD-1	IP67 quick-latching (1/4 turn) bulk-head (through-wall) connector
EB-RJF-PLUG-1	IP67 field-installable quick latching (1/4 turn) Ethernet plug
EB-RJF-CAP-1	IP67 protective cap for bulk-head connector

DIMENSIONS



**EB-RJF-PLUG-1
(IP67 Ethernet Plug)**



www.redlion.net

Connect. Monitor. Control.

Americas
sales@redlion.net

Asia-Pacific
asia@redlion.net

**Europe
Middle East
Africa**
europe@redlion.net

+1 (717) 767-6511

As the global experts in communication, monitoring and control for industrial automation and networking, Red Lion has been delivering innovative solutions for over forty years. Our award-winning technology enables companies worldwide to gain real-time data visibility that drives productivity. Product brands include Red Lion, N-Tron and Sixnet. With headquarters in York, Pennsylvania, the company has offices across the Americas, Asia-Pacific and Europe. For more information, please visit www.redlion.net. Red Lion is a Spectris company.