

## 75 Watt Medical Grade Automobile Power Adapter



- Wide Input Voltage Range
- 75 Watts Maximum Output Power
- CF Level Isolation for Maximum Patient Safety
- Car/Truck Input Connector
- Suitable for Use with All Mobile Medical Devices (i.e. Respiator, defibrillator, suction pump, etc...)



Model Number	Output Voltage	Output Current	Output Power	Model Number	Output Voltage	Output Current	Output Power
<b>DCL100</b>				<b>DCL200</b>			
DCL15.0MC	5.0	5.0	25W	DCL25.0MC	5.0	7.0	35W
DCL16.0MC	6.0	5.0	30W	DCL26.0MC	6.0	7.0	42W
DCL17.0MC	7.0	4.3	30W	DCL27.0MC	7.0	6.8	48W
DCL18.0MC	8.0	3.75	40W	DCL28.0MC	8.0	6.0	48W
DCL112.0MC	12	3.3	45W	DCL212.0MC	12	4.0	48W
DCL113.5MC	13.5	3.3	45W	DCL213.5MC	13.5	4.0	54W
DCL115MC	15	3.0	45W	DCL215MC	15	4.0	60W
DCL116MC	16	2.8	45W	DCL216MC	16	3.75	60W
DCL117MC	17	2.65	45W	DCL217MC	17	3.5	60W
DCL118MC	18	2.5	45W	DCL218MC	18	3.33	60W
DCL119MC	19	2.37	45W	DCL219MC	19	3.16	60W
DCL120MC	20	2.25	45W	DCL220MC	20	3.0	60W

Model Number	Output Voltage	Output Current	Output Power
<b>DCL300</b>			
DCL313.5MC	13.5	4.7	63.5W
DCL315MC	15	4.7	70.5W
DCL316MC	16	4.7	75W
DCL317MC	17	4.4	75W
DCL318MC	18	4.17	75W
DCL319MC	19	3.95	75W
DCL320MC	20	3.75	75W

## 75 Watt Medical Grade Automobile Power Adapter

### INPUT SPECIFICATIONS

Input Voltage Range	10.8-17.6VDC Continuous
Extended Input Voltage Range for 60 Seconds	10-26VDC DCL100 & DCL200 10-20VDC DCL300

### OUTPUT SPECIFICATIONS

Voltage and Current	See Model Charts Page 1
Output Voltage Variance	±5%, includes input & output condition variation and component variation
Ripple & Noise (PARD, Note 1)	1% of Vout to 100mV p-p, max.
Current Limit	110% to 160% of Full Load Non Latching, Auto Recovery
Over Voltage Protection	110% to 135% of Vout Non Latching, Auto Recovery Protection

### SAFETY & EMC (DESIGNED TO MEET)

Safety	IEC 60601-1, ANSI/AAMI ES60601 -1 3rd Ed and IEC 60601-1-11
Safety Isolation	CF Level Isolation at DC Output connector terminations
EMC General	IEC 60601-1-2 as applied to Automotive Environment
Emissions	CISPR11, Radiated Emissions, Class B
ESD	IEC61000-4-2, ±6kV Direct Discharge, ±8kV Air Discharge
Radiated Immunity	IEC 61000-4-3, Immunity to radiated RF Electromagnetic field
Conducted Immunity	IEC61000-4-6 Immunity to conducted disturbances induced by radio frequency fields

### EU Automotive Directive 2004/104/EC:

Transient Immunity	Sections 6.8 & 6.9, transient immunity: ISO 7637-2 test pulses 1, 2a, 2b, 3a, 3b, 4 & 5 recovery class D
Radiated Emissions	Sections 6.5 & 6.6
Auto Plug Characteristics	UL 20589, pertinent sections

### ENVIRONMENTAL SPECIFICATIONS

Operating Temperature	-20°C to 40°C Derating 20% 40°C to 50°C 70°C for 5 minutes
Storage Temperature	Designed to -25 to +75°C
Operating Altitude	Designed to 0-4,000M
Storage Altitude	Designed to 0-10,000M
Humidity	10% to 95% RH, Non-Condensing

### GENERAL SPECIFICATIONS

Isolation	4500VDC
Efficiency (Note 3)	70-90% Output Dependent
Water Ingress	Per IEC60529, IPX2

### MECHANICAL SPECIFICATIONS

Housing Dimensions	4.75" x 3.00" x 1.90" Excludes Rubber Feet
Input Configuration	Standard Auto Plug 1M Length, 18AWG
Output Configuration	Various; Custom 3' to 15' length cords, various output connectors available

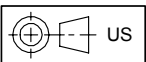
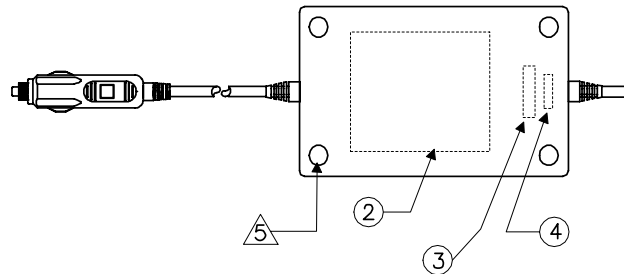
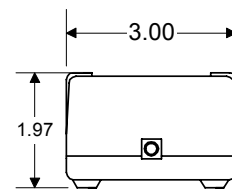
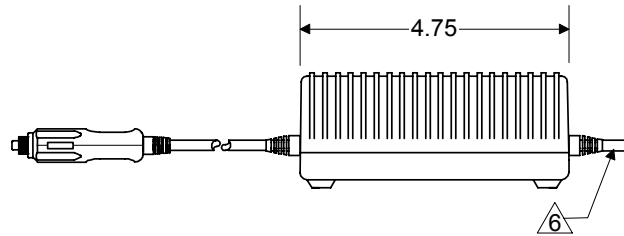
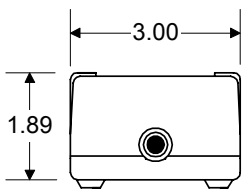
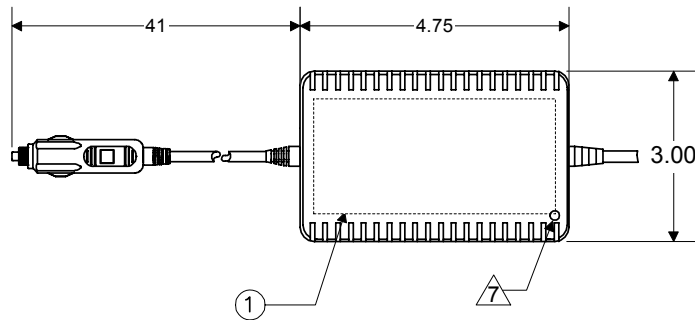
### NOTES

1. Measured with a 0.1µF ceramic and a 10µF electrolytic capacitors across the output terminals. The oscilloscope bandwidth is set at 20MHz a co-axial cable will be used to measure it. The test condition is maximum load.

## 75 Watt Medical Grade Automobile Power Adapter

### MECHANICAL DIMENSIONS

#### AUTOPOWER PLUG ON DC INPUT



ALL DIMENSIONS IN INCHES UNLESS OTHERWISE NOTED

#### MARKINGS

- ① CUSTOMIZABLE TOP SURFACE MARKING AREA = 4.41" X 2.09"
- ② STANDARD JEROME/ASTRODYNE INFO
  - A) JEROME/ASTRODYNE NAME, AND WEB URL
  - B) MODEL NUMBER AND PRODUCT DESCRIPTION
  - C) ELECTRICAL RATINGS
  - D) COMPLIANCE AGENCY MARKS
- ③ OPTIONAL- SERIAL NUMBER AND/OR BAR CODE
- ④ DATE CODE

#### MECHANICAL

- △ BUMP-ON (4 CORNERS) -CLEAR
- △ OUTPUT:
  - VARIOUS OUTPUT CORD AND CONNECTOR OPTIONS AVAILABLE
- △ OPTIONAL- LED POWER INDICATOR AVAILABLE IN BLUE OR GREEN