

THIS DRAWING IS UNPUBLISHED.

RELEASED FOR PUBLICATION

© COPYRIGHT - By -

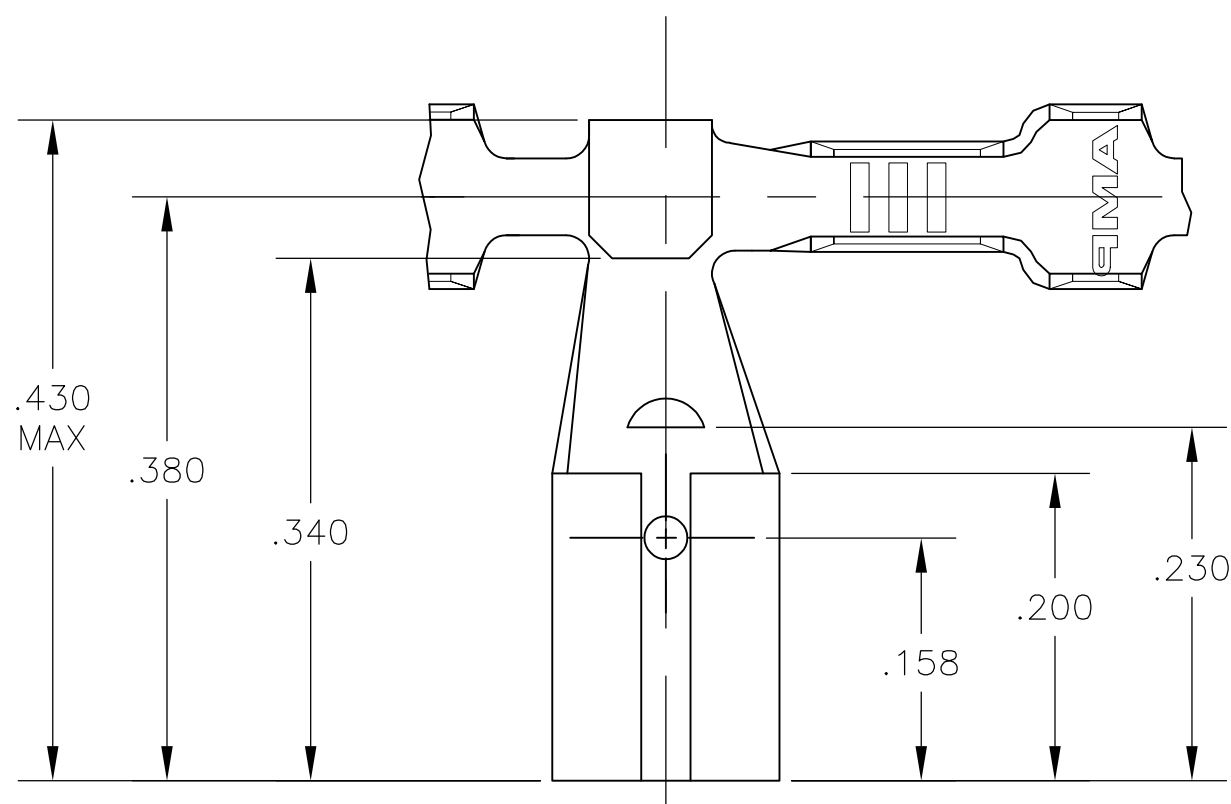
ALL RIGHTS RESERVED.

LOC  
AF

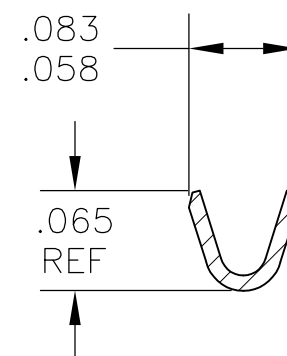
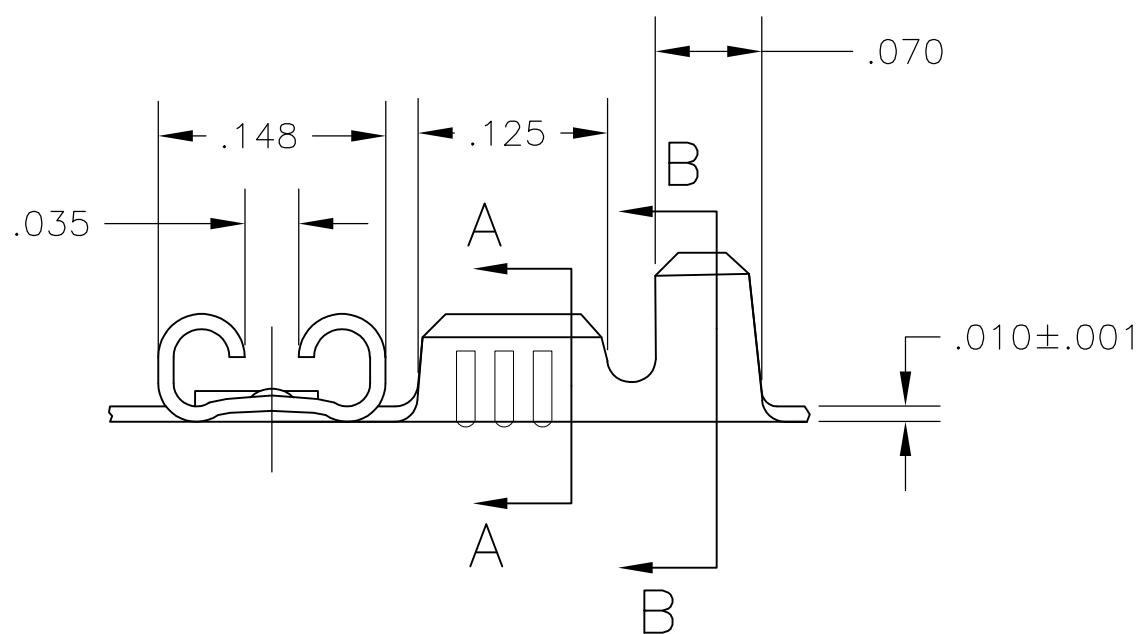
DIST  
50

REVISIONS

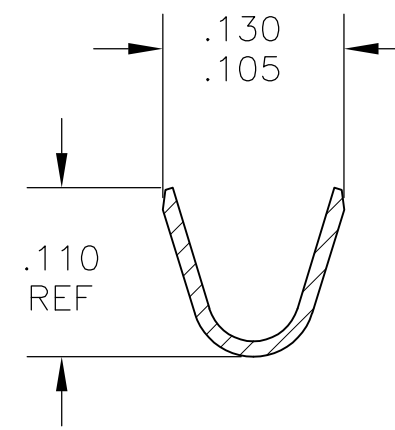
P	LTR	DESCRIPTION	DATE	DWN	APVD
B		REVISED PER ECR-12-013518	26NOV2012	KH	PD



- 1 CONTINUOUS STRIP ON REELS
- 2 WIRE SIZE IS #26-#22 AWG
- 3 INSULATION RANGE IS .040-.080 DIA
- 4 MATING TAB THK IS .020±.001



SECTION A-A



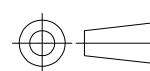
SECTION B-B

1742219-1

PART NO

THIS DRAWING IS A CONTROLLED DOCUMENT.

DIMENSIONS:  
INCHES



TOLERANCES UNLESS OTHERWISE SPECIFIED:

0 PLC	± -
1 PLC	± -
2 PLC	± -
3 PLC	± .010
4 PLC	± -
ANGLES	± 5°

MATERIAL

BRASS

FINISH

PRE-TIN

DWN jr\_ruth 15DEC04

CHK P\_DESANTIS 15DEC04

APVD P\_DESANTIS 15DEC04

PRODUCT SPEC

APPLICATION SPEC

WEIGHT -

CUSTOMER DRAWING

**STE** TE Connectivity

NAME  
RECEPTACLE, FASTON, FLAG  
.110 SERIES

SIZE	CAGE CODE	DRAWING NO	RESTRICTED TO
A3	00779	C-1742219	-

SCALE 8:1 SHEET 1 OF 1 REV B