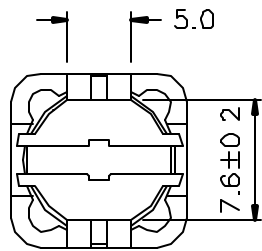
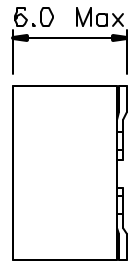
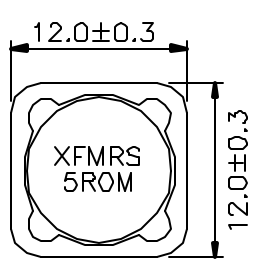
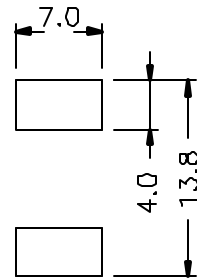


1. Mechanical Dimensions:



(BOTTOM VIEW)



(SUGGESTED MOUNTING PAD)

2. Schematic:



3. Electrical Specifications:@25°C

INDUCTANCE: 5.0uH±20% @10KHz 0.1V

DC RESISTANCE: 0.035 Ohms Max

CURRENT: 4.00 ADC Max

Q: 20 Typ @7.96MHz

SRF: 21MHz Typ

Note.

1. Solderability: Leads shall meet MIL-STD-202, Method 208D for solderability.
2. Flammability: UL94V-0,
3. ASTM oxygen index: > 28% ,
4. Temperature rating: 155°C. UL file E151556,
5. Operating Temperature Range: -40°C to +105°C

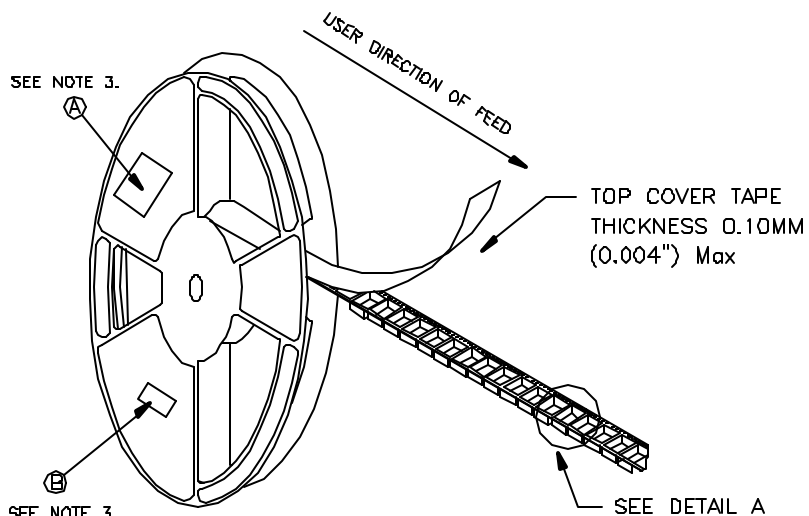
DOC REV A/1

XFMRS Inc.	Title: XFTPRH1205 SERIES INDUCTORS		
	UNLESS OTHERWISE SPECIFIED TOLERANCES: TYPICAL Dimensions in MM	P/N: XFTPRH1205-5ROM	REV. A
	DWN.	廖玉坤	Apr-28-01
	CHK.	李清儿	Apr-28-01
	APP.	BW	Apr-28-01

TAPE AND REEL SPECIFICATION:

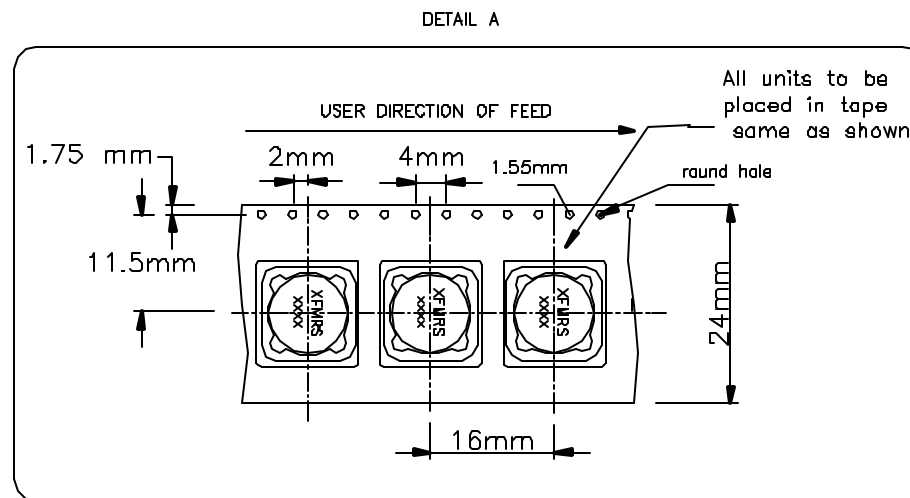
NOTES:

- 1) PROCESS IN ACCORDANCE WITH EIA-481-2 STANDARDS
 - * TAPE LEADER DIMENSION 15.30" MIN.
 - * TAPE TRAILER DIMENSION 6.30" MIN.
- 2) PARTS SHOULD BE PACKAGED IN ACCORDANCE WITH ESD GUIDELINES IN EIA-541.
- 3) REEL LABEL: 'A' * PART NUMBER
 - * QUANTITY
 - * LOT NUMBER
 'B' - ANTI-STATIC CAUTION LABEL
- 4) 700 PCS PER 13" REEL



REEL AND TAPE ORIENTATION

13" REEL DIAMETER



DOC. REV. A/3

XFMRS Inc	Title: T&R SPEC		
	UNLESS OTHERWISE SPECIFIED TOLERANCES: .xxs ±xxxxx Dimensions in mm		REV: A
P/N: XFTPRH12D5 series	DWN.	康玉坤	FEB-23-01
	CHK.	李清儿	FEB-23-01
SHT 2 OF 2	APP.	BW	FEB-23-01