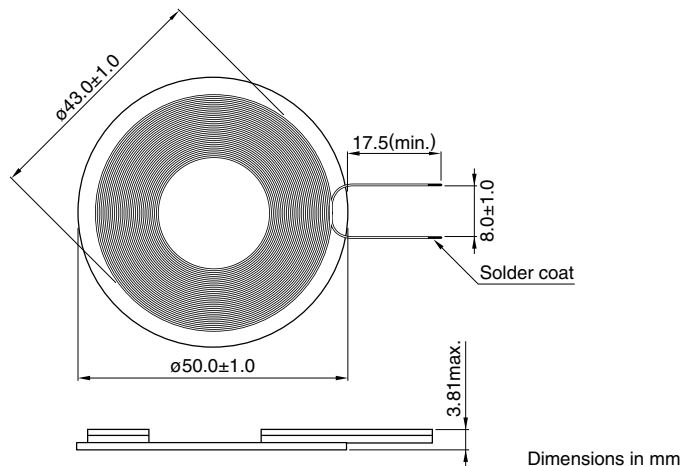


## Tx Coil Units

## WT505090-20K2-A10-G

## ■ SHAPE &amp; DIMENSIONS



## ■ ELECTRICAL CHARACTERISTICS

## □ CHARACTERISTICS SPECIFICATION TABLE

Part No.	WT505090-20K2-A10-G
WPC Compliant	WPC A10
Input Voltage (V)	19 (A10)
Inductance ( $\mu\text{H}$ ) [100kHz, 1Vrms]	24
DC resistance ( $\Omega$ ) max. [25°C]	0.10
Ferrite type	Flexible
Magnet (mm)	Nothing
Sheet Size (mm)	$\phi 50$
Coil Turns	10ts x 2Layers 20Ts
Thickness of Coil + Sheet (mm) typ.	3.13
Thickness of Incl. I/O (mm) typ.	—
Coil Outer Size (mm) typ.	$\phi 43$