

FEATURES

- HIGH RELIABILITY FOR LOW COST
- MICRO TUBULAR HOLDER
- IDEAL FOR MINIATURISATION

PETERMANN

TECHNIK

Time & Frequency Components

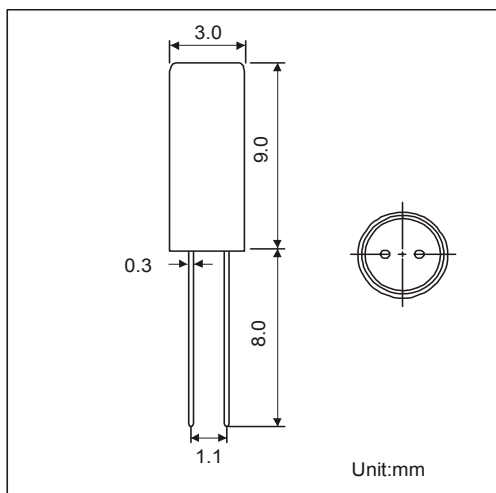
| | |
|------------------------------------|---|
| SERIES | TB38 |
| PACKAGE DIMENSIONS | SEE OUTLINE DRAWING |
| FREQUENCY RANGE | 15.0 ~ 150.0 kHz |
| MODE OF VIBRATION | X-CUT |
| RESONANCE RESISTANCE | 60 k Ω ~ 35 k Ω DEPENDING FREQUENCY |
| FREQUENCY TOLERANCE AT 25°C | +50 PPM |
| TEMPERATURE RANGE | -10/+60°C |
| TEMPERATURE STABILITY | SEE TEMPERATURE CURVE |
| LOAD CAPACITANCE | 12.5 PF |
| SHUNT CAPACITANCE | 1.7 PF TYP. |
| DRIVE LEVEL | 1.0 μ W MAX. |
| AGING | +3 ~ +5 PPM PER YEAR |
| INSULATION RESISTANCE | >500 M Ω DC/100V +-10% |
| DELIVERY FORM | BULKS |

OTHER PARAMETERS ARE AVAILABLE ON REQUEST / CREATE HERE YOUR SPECIFICATION

PART NUMBERING SYSTEM

| | |
|------------------|-----------------|
| EXAMPLE | TB38 38.400 kHz |
| TYPE | TB38 |
| FREQUENCY | IN KHZ |

OUTLINE DRAWING OF TB38



TEMPERATURE CURVE OF TB38

