

CGA6P3X7S1H106K250AB

TDK Item Description : CGA6P3X7S1H106KT****



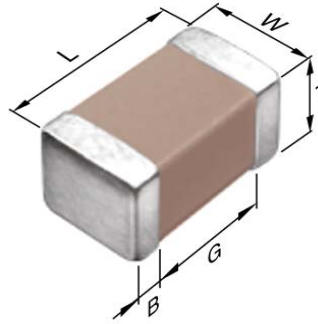
Equivalent C3225X7S1H106K for Automotive

Application & Main Feature

Automotive Grade (General (Up to 50V))

Series

CGA6(3225) [EIA CC1210]



Dimensions

L 3.20mm +/-0.4mm
 W 2.50mm +/-0.3mm
 T 2.50mm +/-0.3mm
 B 0.20mm Min.
 G

Temperature Characteristic

X7S (-55 to 125 degC +/-22%)

Rated Voltage

1H (50Vdc)

Capacitance

10uF

Capacitance Tolerance

K (+/-10%)

Dissipation Factor

5% Max.

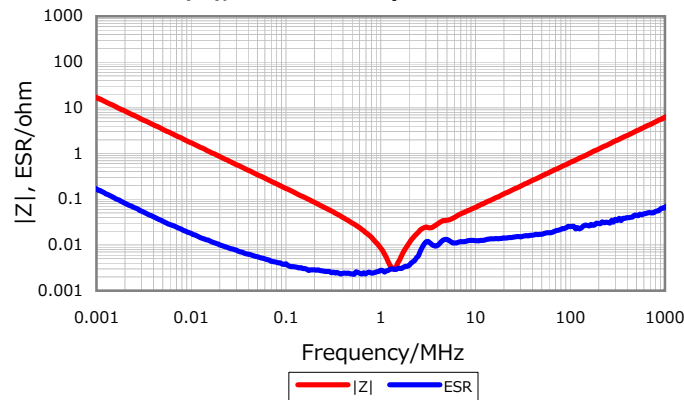
Insulation Resistance

50Mohm Min.

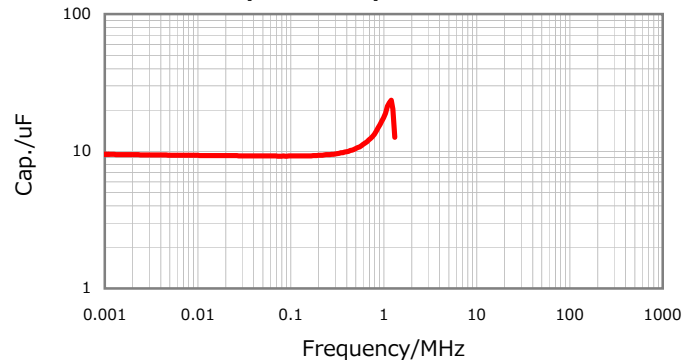
AEC-Q200

Yes

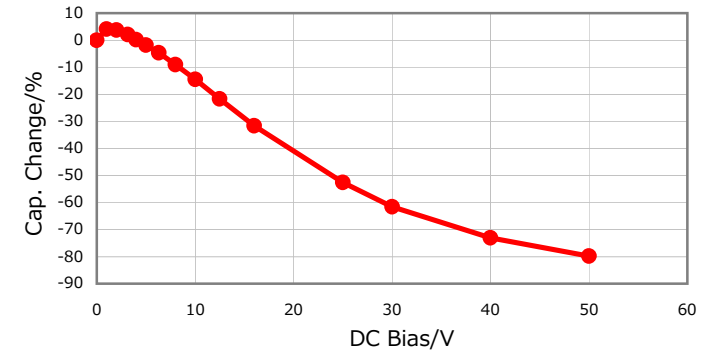
|Z|, ESR vs. Freq. Characteristics



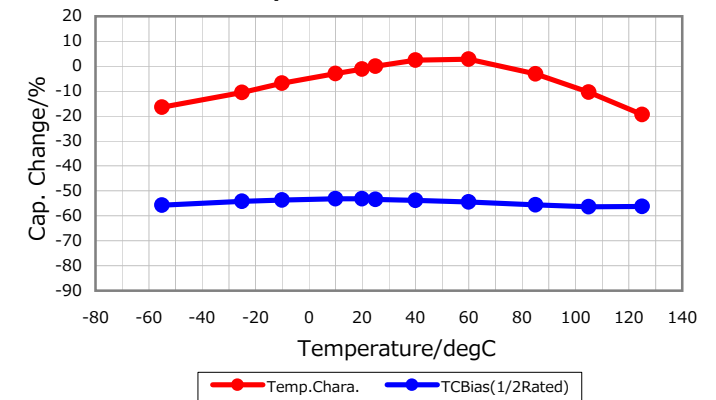
Cap. vs. Freq. Characteristic



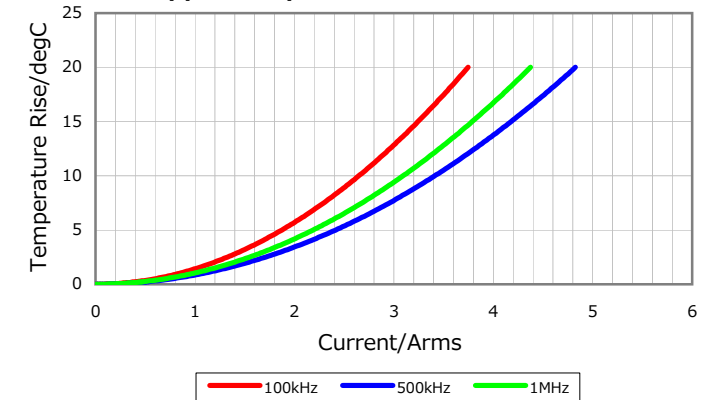
DC Bias Characteristic



Temperature Characteristics



Ripple Temperature Rise Characteristics



Characterization Sheet (Multilayer Ceramic Chip Capacitors)



All specifications are subject to change without notice.

January 4, 2016