

SP101

Pushbutton Switches



RoHS Compliant



■ Features

1. Sharp Tactile Feel

Snap action mechanism provides light tactile feel.

2. Gold-Plated Contacts for Low Current Applications

3. Compatible with PC Board Mount and Snap-in Panel Mount

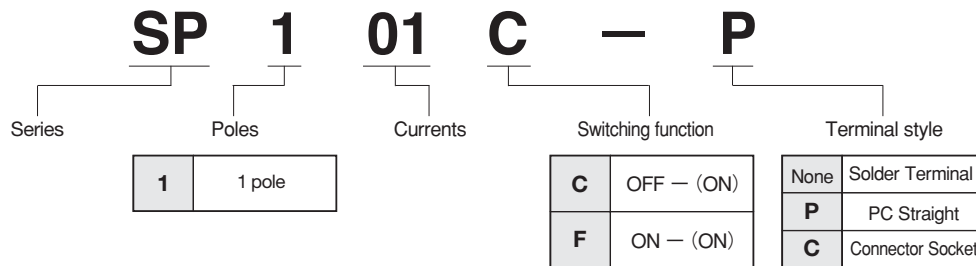
4. 3 Types of Terminals

Terminal styles are available in Solder terminal, PC terminal, and connector socket (EHR-5 from JST).

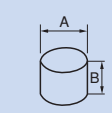
■ Specifications

Rating	60mA 30VD Max.	
Initial contact resistance	50mΩ max.	(1.5mA 200μVAC)
Dielectric strength	500VAC 1 minute	
Initial insulation resistance	1,000MΩ min.	(500VDC)
Electrical life	50,000 operations	
Operating force	2.94±0.98N	
Operating temperature range	-20~+85°C	
Storage temperature range	-40~+85°C	

■ Part Numbering



■ Optional Accessories

Part Name	Color Button			
	φ 8	φ 10	φ 15	
Dimension A	7.5	8	10	
Dimension B	7.5	8	10	
 (Polyamide resin)	White	140000481420	140000480082	140000480088
	Red	140000481421	140000480083	140000480089
	Black	140000481422	140000480081	140000480090
	Gray	140000481423	140000480084	140000480091
	Green	140000481424	140000480085	140000480092
	Blue	140000481425	140000480086	140000480093
	Orange	140000481426	140000480087	140000480094
	Yellow	140000481427	140000480371	140000480372

■ Table of Part Numbers

Terminal style	Switching function	
	OFF — (ON)	ON — (ON)
Solder Terminal	★SP101C	★SP101F
PC Straight	—	★SP101F—P
Connector Socket	—	SP101F—C

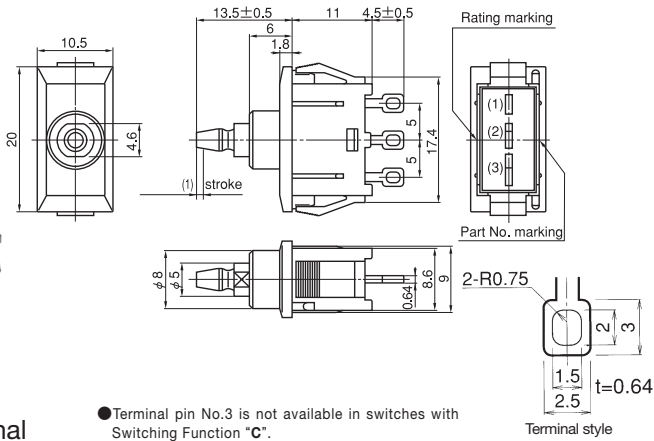
★ : Made to order products.

:Optional Accessories.

(ON) : Momentary.

SP101

SP101C SP101F

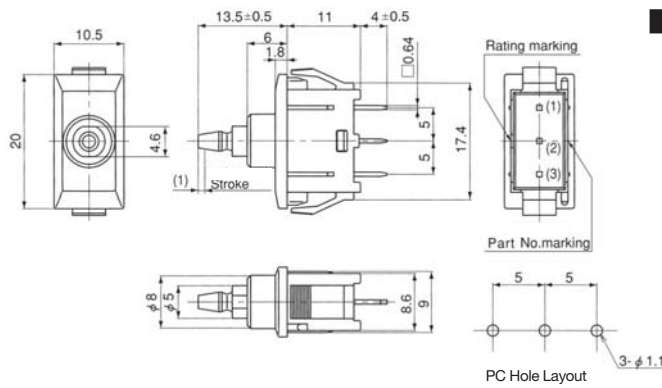


Solder Terminal

Switching function		
Part No.	SP101C	SP101F
Switching function	OFF	(ON)
Connecting terminals	—	1-2
Part No.	SP101F-P	SP101F-C
Switching function	ON	(ON)
Connecting terminals	1-3	1-2

(ON) : Momentary.

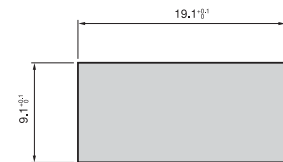
SP101F-P



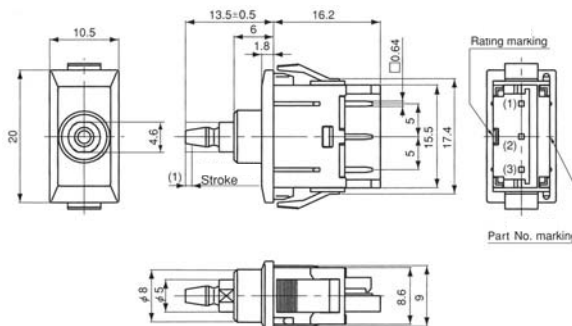
PC Straight

Panel Cut-Out Dimensions

Panel thickness : 1~2 mm



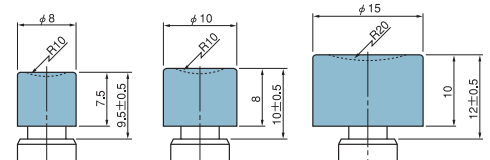
SP101F-C



Connector Socket

※ Mating connector : J.S.T.CO.,LTD connector **EHR-5** series

Color Button Mounting Dimensions



Soldering Specifications

- Manual Soldering
Device: Soldering iron
380°C, Max.; 3 seconds, Max.

Flux Cleaning

- Solvent :Fluorine or Alcohol type.
- The **SP101** series are not washable. To wash the PC board, clean the soldering surface of the PC board with a brush so that the switch is not exposed to the cleaning solution.