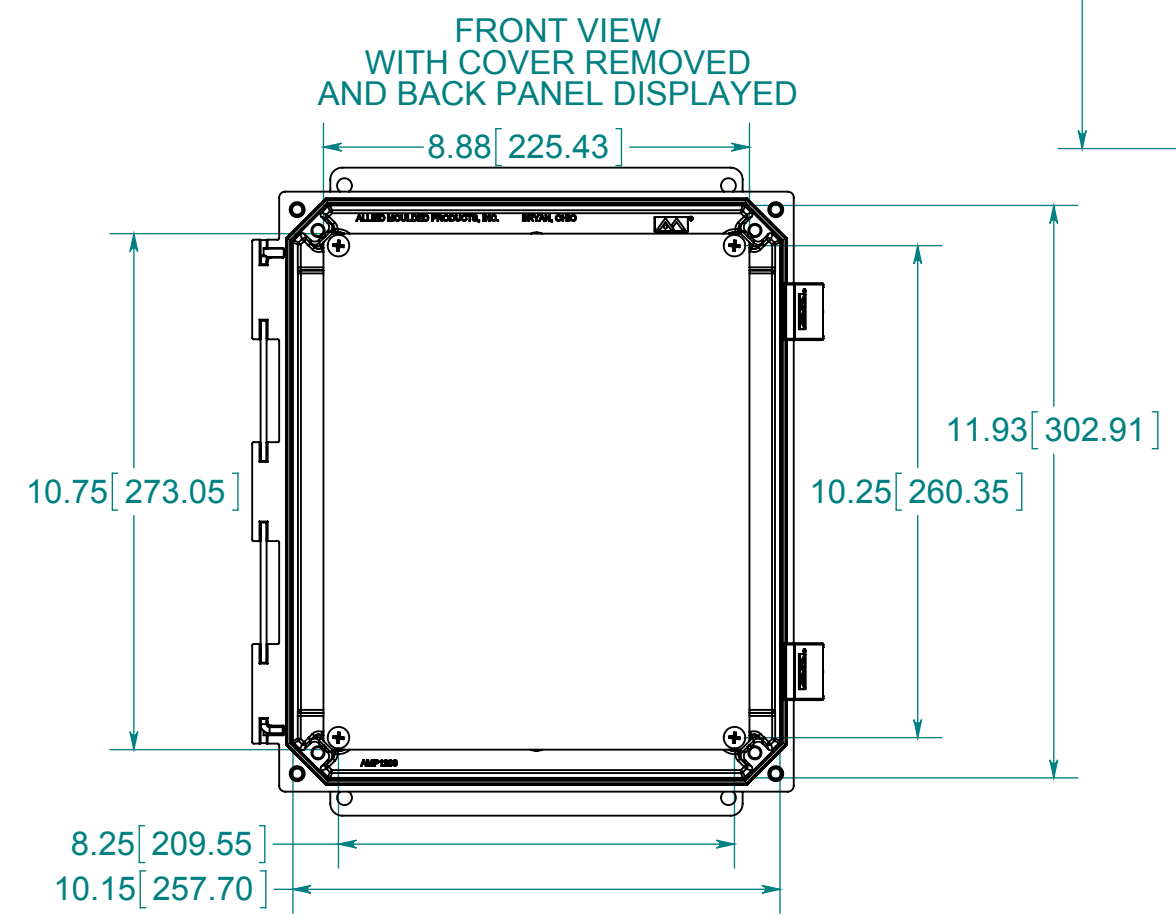
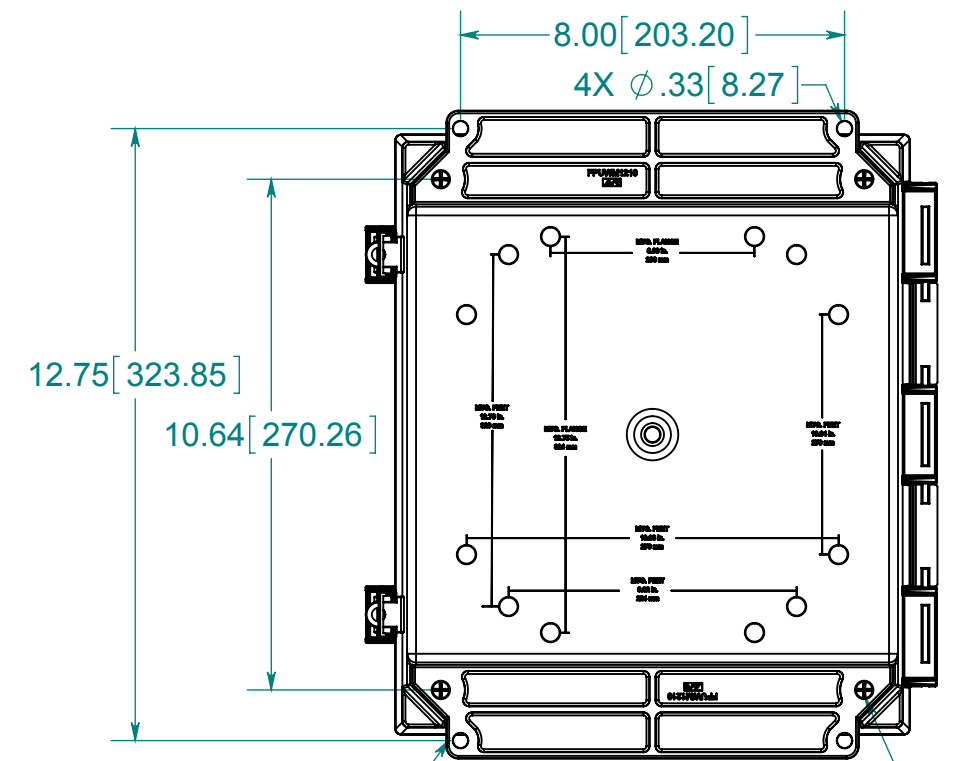
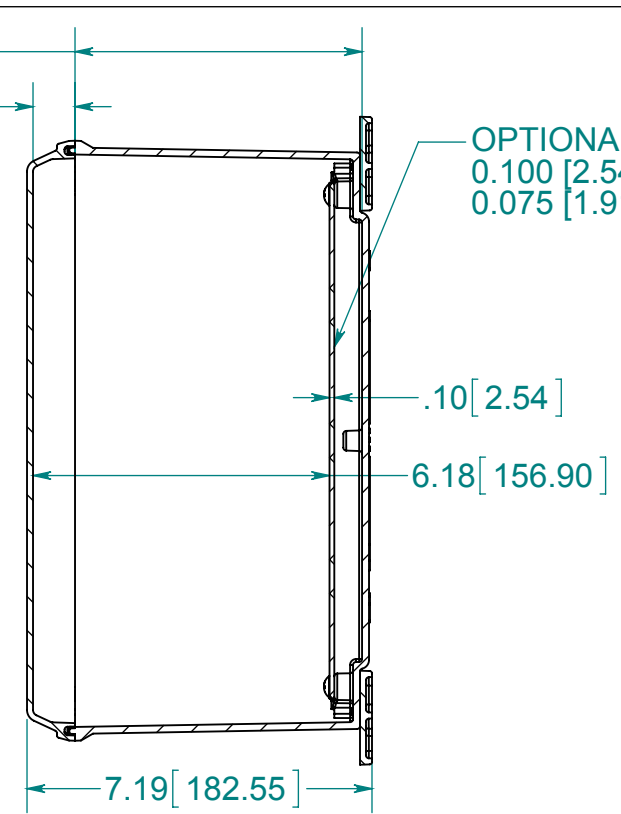
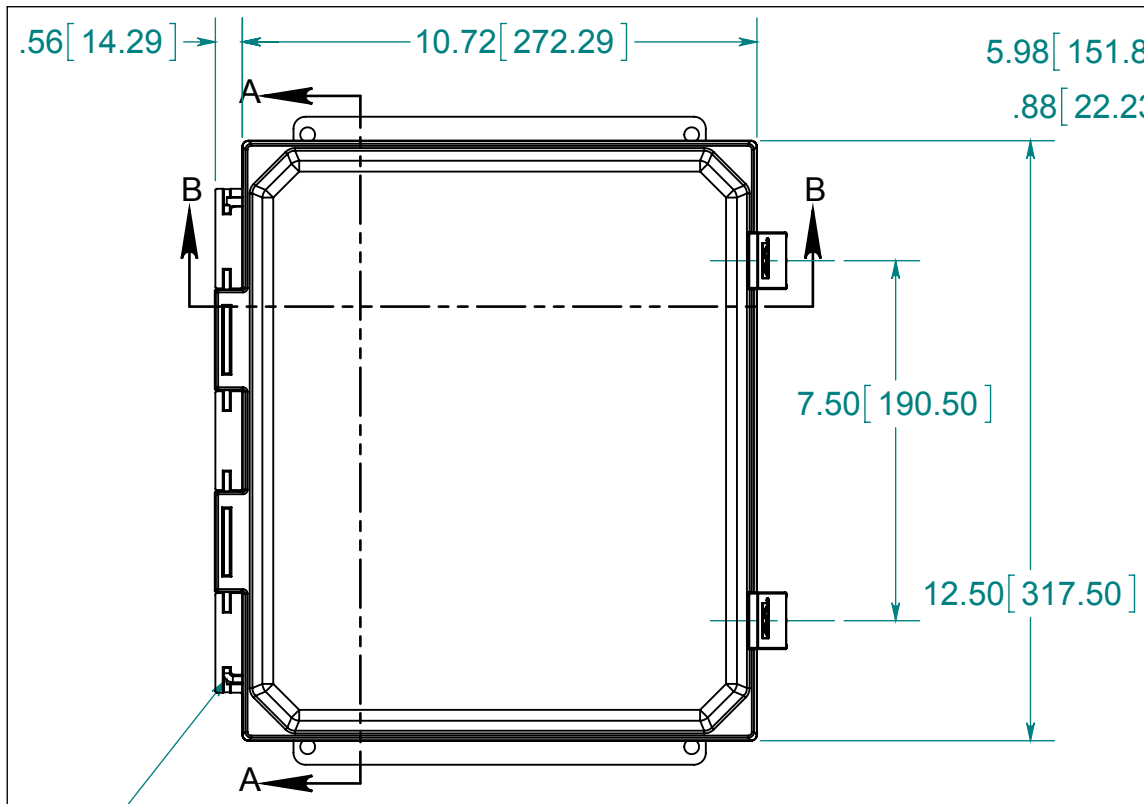


DATE	REV.	DESCRIPTION	DR	CK	REL



STAINLESS STEEL HINGE PIN

OPTIONAL BACK PANEL SHOWN
 0.100 [2.54mm] TH'K- ALUMINUM
 0.075 [1.91mm] TH'K- WHITE STEEL

(4) POLYCARBONATE FLANGES (GLUED)

(4) EACH #10-32 BRASS INSERTS, AND STAINLESS STEEL FLANGE AND FEET SCREWS

(2) NON-METALLIC LOCKABLE SNAP LATCHES
 CLOSED CELL NEOPRENE GASKET

(4) EACH #10-32 BRASS INSERTS AND PLATED CARBON STEEL TRUSS SCREW

SECTION B-B

MATERIAL:
 BOX- INJECTED POLYCARBONATE
 STANDARD COVER- INJECTED POLYCARBONATE
 CLEAR COVER - INJECTED POLYCARBONATE



PART No. PCJ12106CCNLF
 for more information visit www.hammfg.com
 Data subject to change without notice
 Drawing Not to Scale