

UNAUTHORIZED USE OF THIS
DRAWING IS STRICTLY PROHIBITED

DAR	REV	DESCRIPTION	APPVD	DATE
1270	A	INITIAL RELEASE	TJD	3-07
1317	B	CHANGE TEMPERATURE TO 150 DEGREES	TJD	7-07
1544	C	CHANGE LD HEIGHT & HEIGHT DIMS	DG	9-08
2035	D	SEE DAR	DG	9-09
5098	E	SEE DAR	DG	7-14

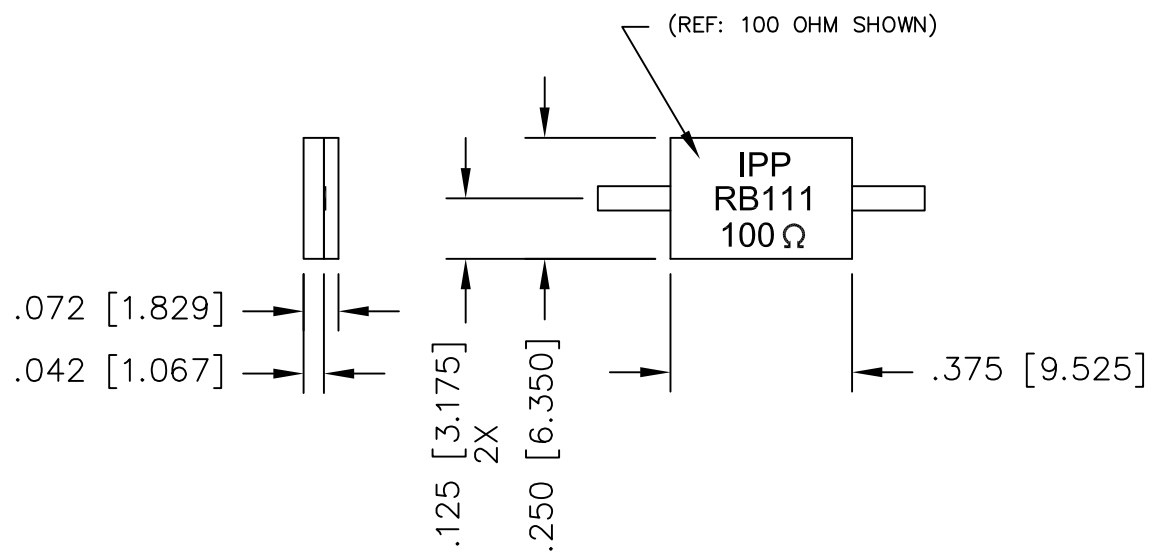
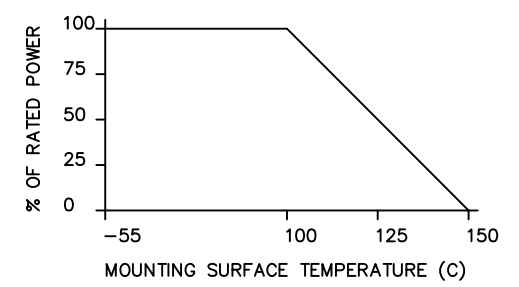
NOTES

- LEAD MATERIAL:
99.99% PURE SILVER
.050 [1.270] WIDE x .005 [.127] THICK
- LEAD LENGTH: .150 [3.810] MIN.
- SUBSTRATE MATERIAL: BeO
COVER MATERIAL: Al₂O₃
- DIMENSIONS: INCHES, [mm]
- BOTTOM SIDE METALIZATION:
THICK FILM PLATINUM SILVER
- RoHS COMPLIANT.

ELECTRICAL SPECIFICATIONS

INPUT POWER: 150 WATT
 FREQUENCY: DC - 2.0 GHZ.
 CAPACITANCE: 3.5 pF

POWER DERATING CURVE



PART NO.	VALUE	TOLERANCE
IPP-RB111-50	50 OHMS	+/- 5%
IPP-RB111-100	100 OHMS	+/- 5%
IPP-RB111-200	200 OHMS	+/- 5%

MATERIAL	[3]	DWN DG	DATE 3-07	Innovative Power Products
FINISH	[5]	ENG TJD	DATE 3-07	
TOLERANCE		MANUF TP	DATE 3-07	TITLE
IN [MM]	.xx ±.02 [.50] .xxx ±.010 [.254]	CAGE CODE: 437R2		RESISTOR, 150 WATT, FLANGELESS
		SHEET OF	SCALE	P/N
		1 1	4:1	IPP-RB111-XXX
				REV.
				E