

Smallest Filtered Power Entry Modules with Metric Fuseholders

GG/HG Series



**UL Recognized
CSA Certified
VDE Approved**



HG1/GG1



GG8

GG Series

The GG series power entry modules combine the functions of a general purpose RFI filter with an IEC power cord connector and single or dual metric fusing, in the smallest possible panel space. A choice of .250" terminals or wire leads is available for the load-side terminations.

For maximum cost effectiveness, 6 amp models should be used for all applications rated 6 amps or less, unless the higher performance of the 3 amp models, or the much higher performance of the 1 amp models, is needed.

Models with C-suffix additionally incorporate a ground choke¹ to isolate the equipment chassis from external ground at RF frequencies.

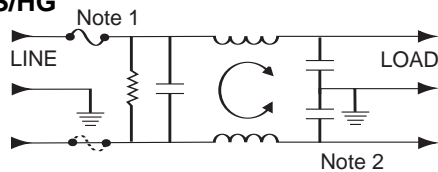
HG Series

A medical version of our GG series, these filters offer the same compact design but reduce the line-to-ground capacitance in order to meet UL 2601 patient care requirements. For more information on UL2601 specification, see Appendix C.

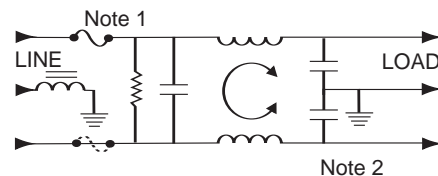
Note: When using the models with an IEC connector, remember that the leakage current of the companion line cord, GA400, is more significant than that of the filter - which may disqualify this line cord from use in patient care applications.

Electrical Schematics

GG/GS/HG



GG-C



Resistor location for reference only.

Note 1: Depicts single fuse for -1 models.

Note 2: For HG delete line-to-ground capacitors.

CAUTION: DO NOT ATTEMPT TO OPERATE A SINGLE-FUSED MODEL WITHOUT THE FUSE DOOR IN PLACE!

Specifications

Maximum leakage current, each line-to-ground

	<u>HG Models</u>	<u>GG Models</u>
@ 120 VAC 60 Hz:	2µA	.25 mA
@ 250 VAC 50 Hz:	5µA	.42 mA

Hipot rating (one minute):

line-to-ground	1550 VAC
line-to-line	1450 VDC

Operating frequency:

50/60 Hz

Rated voltage (max.):

250 VAC

Fuse (not included):

Accepts one 5x20mm fuse (-1 models) or two 5 x 20 mm fuses (-2 models)

Minimum insertion loss in dB:

Line-to-ground in 50 ohm circuit

Current Rating	Frequency-MHz									
	.01	.05	.10	.15	.5	1	5	10	30	
GG/GS Models										
1A	12	23	29	32	41	47	50	50	55	
3A	-	10	15	19	30	36	48	50	53	
6A	-	1	4	10	16	22	36	40	50	
HG Models										
1A	12	23	29	32	40	40	28	22	18	
3A	-	10	15	19	25	26	22	21	21	
6A	-	4	10	14	18	18	14	14	14	

Line-to-line in 50 ohm circuit

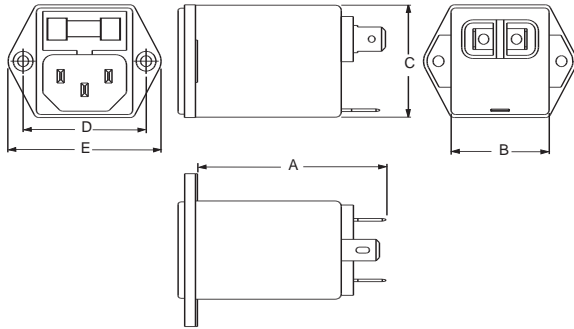
Current Rating	Frequency-MHz							
	.01	.15	.5	1	3	5	10	30
GG/GS Models								
1A	1	3	14	23	41	47	50	44
3A	1	2	11	14	25	38	44	40
6A	1	2	10	13	23	33	39	42
HG Models								
1A	1	3	26	35	35	35	27	20
3A	1	2	30	30	30	30	30	30
6A	1	2	30	30	30	30	30	30

Smallest Filtered Power Entry Modules with Metric Fuseholders (Continued)

GG/HG Series

Case Styles

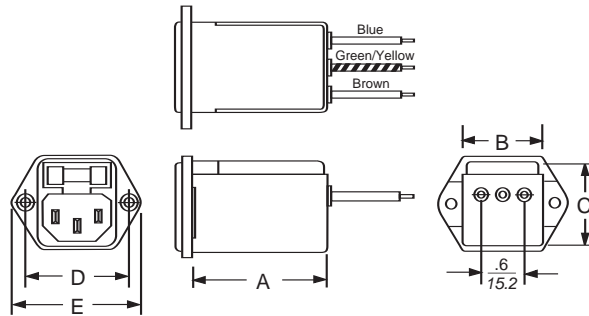
GG1/HG1



Typical dimensions:

Terminals: .250 [6.35] (3) Holes: .07 [1.8] Dia.
Mounting Holes: .126 [3.20] Dia. (2)

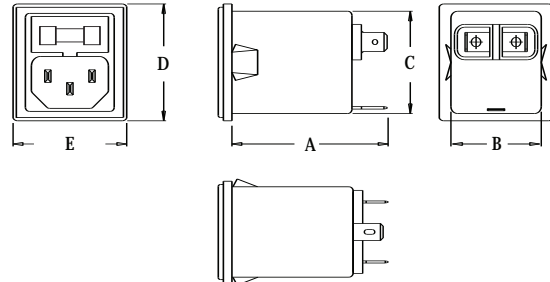
GG8



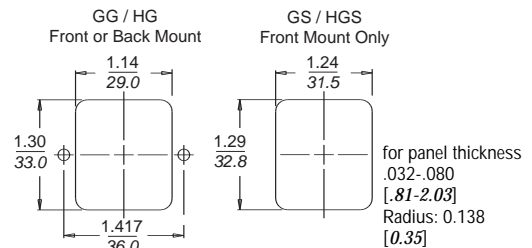
Typical dimensions:

Wire leads: 5.0 [127.0] Min. 18 AWG Mounting Holes: .126 [3.20] Dia. (2)

EGS



Recommended Panel Cutouts



Case Dimensions

Part No.	A (max)	B (max)	C (max)	D $\pm .015$ $\pm .38$	E (max)
EGG1-1/EGG1-2/	2.15	1.13	1.29	1.417	1.76
EHG1-2	54.5	28.7	32.8	36.0	44.7
EGG8-1/EGG8-2	2.02	1.13	1.29	1.417	1.76
EGG8C-1/EGG8C-2	51.1	28.7	32.8	36.0	44.7
EGS1-1/EGS1-2	2.13	1.13	1.28	1.46*	1.42
EHGS1-2	54.0	28.7	32.5	36.0	36.1
EGG1C-1-1/EGG1C-2	2.45	1.13	1.28	1.46*	1.42
	62.23	28.7	32.5	36.0	36.1

*max

Part Number ¹	RFI Filter Type ²	Current Rating ³	Metric Fuseholders	Load Side Terminations
1EGG1-1	General Purpose ²	1	1	.250 [6.35] Terminals (3)
1EGG1-2	General Purpose	1	2	.250 [6.35] Terminals (3)
1EGG8-1	General Purpose	1	1	5.0 [127.0] Wire Leads
1EGG8-2	General Purpose	1	2	5.0 [127.0] Wire Leads
1EGS1-1	General Purpose	1	1	.250 [6.35] Terminals (3)
1EGS1-2	General Purpose	1	2	.250 [6.35] Terminals (3)
3EGG1-1	General Purpose	3	1	.250 [6.35] Terminals (3)
3EGG1-2	General Purpose	3	2	.250 [6.35] Terminals (3)
3EGG8-1	General Purpose	3	1	5.0 [127.0] Wire Leads
3EGG8-2	General Purpose	3	2	5.0 [127.0] Wire Leads
3EGS1-1	General Purpose	3	1	.250 [6.35] Terminals (3)
3EGS1-2	General Purpose	3	2	.250 [6.35] Terminals (3)
6EGG1-1	General Purpose	6	1	.250 [6.35] Terminals (3)
6EGG1-2	General Purpose	6	2	.250 [6.35] Terminals (3)
6EGG8-1	General Purpose	6	1	5.0 [127.0] Wire Leads
6EGG8-2	General Purpose	6	2	5.0 [127.0] Wire Leads
6EGS1-1	General Purpose	6	1	.250 [6.35] Terminals (3)
6EGS1-2	General Purpose	6	2	.250 [6.35] Terminals (3)
1EHG1-2	Medical	1	2	.250 [6.35] Terminals (3)
3EHG1-2	Medical	3	2	.250 [6.35] Terminals (3)
6EHG1-2	Medical	6	2	.250 [6.35] Terminals (3)
1EHGS1-2	Medical	1	2	.250 [6.35] Terminals (3)
3EHGS1-2	Medical	3	2	.250 [6.35] Terminals (3)
6EHGS1-2	Medical	6	2	.250 [6.35] Terminals (3)

¹ Ground choke available on general purpose models. Add suffix "C" (1EGG1C-1). Does not include EGS models.

² General purpose filter for susceptibility applications. ³ Current rating @120 VAC and 250 VAC.