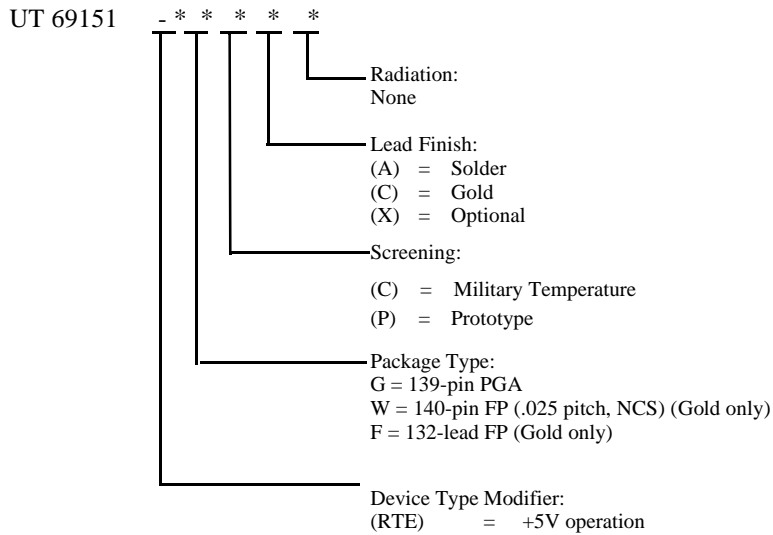


18.0 ORDERING INFORMATION

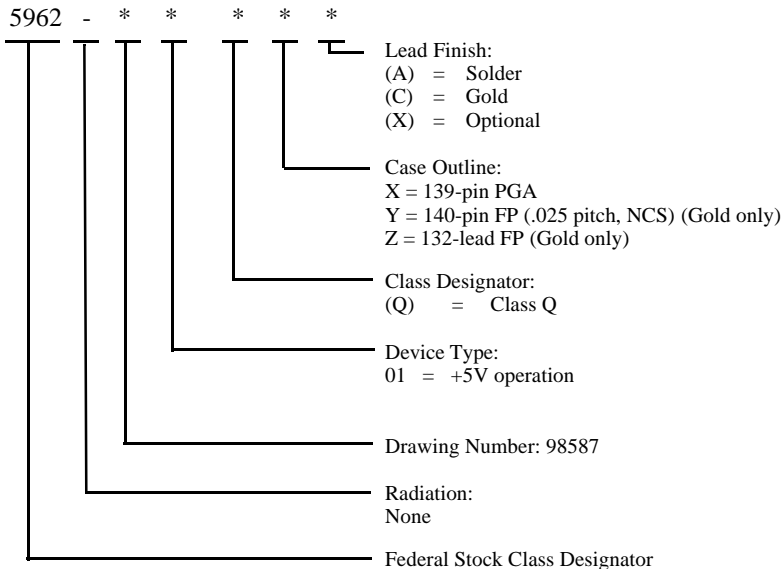
SμMMIT RTE MIL-STD-1553 Dual Redundant Remote Terminal w/Integrated Bus Transceivers & Memory



Notes:

1. Lead finish (A,C, or X) must be specified.
2. If an "X" is specified when ordering then the part marking will match the lead finish and will be either "A" (solder) or "C" (gold).
3. Military Temperature Range flow per UTMIC's Manufacturing Flows documents. Devices have 48 hours of burn-in and are tested at -55°C, room temperature, and +125°C.
4. Prototypes are produced to UTMIC's prototype flow, and are tested at 25°C only. Lead finish is gold only.
5. 132 FP and 140 FP only available with gold lead finish.

SμMMIT RTE MIL-STD-1553 Dual Redundant Remote Terminal w/Integrated Bus Transceivers & Memory: SMD



Notes:

1. Lead finish (A,C, or X) must be specified.
2. If an "X" is specified when ordering, part marking will match the lead finish and will be either "A" (solder) or "C" (gold).
3. 132 FP and 140FP only available with gold lead finish.