

Reverse Blocking Triode Thyristor

Features and Benefits

- Exceptional reliability
- Small fully-molded SIP package with heatsink mounting for high thermal dissipation and long life
- Operating junction temperature to 150°C
- V_{DRM} of 700 or 800 V
- 8.0 A_{RMS} on-state current
- 7 mA typical gate trigger current
- Uniform switching
- UL Recognized Component (File No.: E118037) (suffix I)



Package: 3-pin SIP (TO-220F)



Not to scale

Description

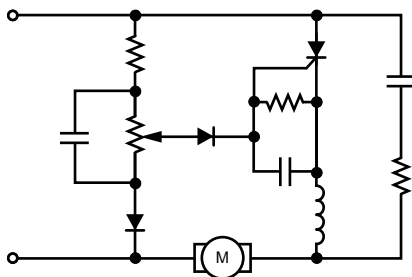
This SanKen reverse blocking triode thyristor is designed for AC power control, providing reliable, uniform switching for half-cycle AC applications.

In comparison with other products on the market, the TFA8x series provides increased isolation voltage (1800 $V_{AC_{RMS}}$), guaranteed for up to 1 minute. In addition, commutation dv/dt is improved.

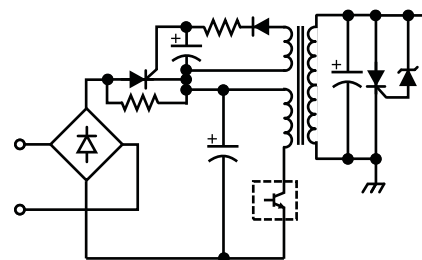
Applications

- Motor control for small tools
- Temperature control, light dimmers, electric blankets
- General use switching mode power supplies (SMPS)

Typical Applications



Single-phase motor control (for example, electric tool)



In-rush current control (for example, SMPS)

TFA8x Series

Reverse Blocking Triode Thyristor

Selection Guide

Part Number	V _{DRM} (V)	UL-Recognized Component	Package	Packing
TFA87(I)	700	Yes	3-pin fully molded SIP with heatsink mount	50 pieces per tube
TFA87S	700	–		
TFA88(I)	800	Yes		
TFA88S	800	–		

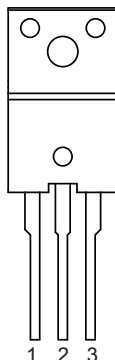
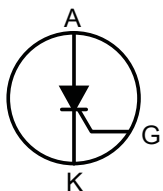
Absolute Maximum Ratings

Characteristic	Symbol	Notes	Rating	Units
Peak Repetitive Off-State Voltage	V _{DRM}	TFA87x	700	V
		TFA88x		
		T _J = –40°C to 150°C, R _{GREF} = 1 kΩ		
Isolation Voltage	V _{ISO}	AC RMS applied for 1 minute between lead and case	1800	V
Average On-State Current	I _{T(AV)}	50 Hz half cycle sine wave, Conduction angle (α) = 180°, continuous operation, T _C = 98°C	8.0	A
RMS On-State Current	I _{T(RMS)}		12.6	A
Surge On-State Current	I _{TSM}	f = 60 Hz	132	A
		f = 50 Hz		
		Half cycle sine wave, single, non-repetitive		
I ² t Value for Fusing	I ² t	Value for 50 Hz half cycle sine wave, 1 cycle, I _{TSM} = 120 A	72	A ² ·s
Critical Rising Rate of On-State Current	di/dt	I _T = I _{T(RMS)} × π, V _D = V _{DRM} × 0.5, f ≤ 60 Hz, t _{gw} ≥ 10 μs, t _{gr} ≤ 250 ns, I _{gp} ≥ 30 mA (refer to Gate Trigger Circuit diagram)	50	A/μs
Peak Forward Gate Current	I _{FGM}	f ≥ 50 Hz, duty cycle ≤ 10%	2.0	A
Peak Forward Gate Voltage	V _{FGM}	f ≥ 50 Hz, duty cycle ≤ 10%	10	V
Peak Reverse Gate Current	V _{RGM}	f ≥ 50 Hz	5.0	V
Peak Gate Power Dissipation	P _{GM}	f ≥ 50 Hz, duty cycle ≤ 10%	5.0	W
Average Gate Power Dissipation	P _{GM(AV)}	T _J < T _{J(max)}	0.5	W
Junction Temperature	T _J		–40 to 150	°C
Storage Temperature	T _{stg}		–40 to 150	°C

Thermal Characteristics May require derating at maximum conditions

Characteristic	Symbol	Test Conditions	Value	Units
Package Thermal Resistance (Junction to Case)	R _{θJC}	For AC	3.5	°C/W

Pin-out Diagram



Terminal List Table

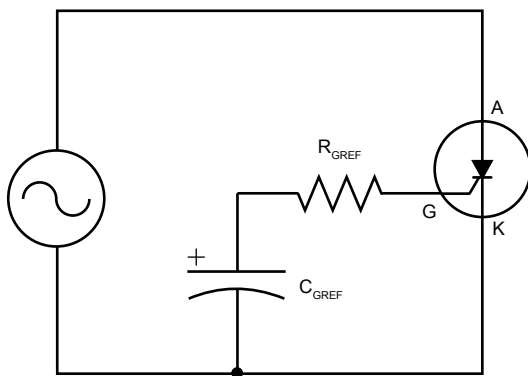
Number	Name	Function
1	K	Cathode terminal
2	A	Anode terminal
3	G	Gate control

All performance characteristics given are typical values for circuit or system baseline design only and are at the nominal operating voltage and an ambient temperature, T_A, of 25°C, unless otherwise stated.

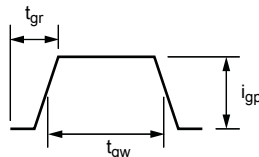
ELECTRICAL CHARACTERISTICS

Characteristics	Symbol	Test Conditions	Min.	Typ.	Max.	Unit
Off-State Leakage Current	I_{DRM}	$V_D = V_{DRM}$, $T_J = 150^\circ\text{C}$, $R_{GREF} = 1\text{ k}\Omega$	–	–	2.0	mA
Reverse Leakage Current	I_{RRM}	$V_D = V_{DRM}$, $T_J = 150^\circ\text{C}$, $R_{GREF} = 1\text{ k}\Omega$	–	–	2.0	mA
On-State Voltage	V_{TM}	$I_{TM} = 20\text{ A}$, $T_C = 25^\circ\text{C}$	–	–	1.4	V
Gate Trigger Voltage	V_{GT}	$V_D = 6\text{ V}$, $R_L = 10\ \Omega$, $T_C = 25^\circ\text{C}$	–	–	1.0	V
Gate Trigger Current	I_{GT}	$V_D = 6\text{ V}$, $R_L = 10\ \Omega$, $T_C = 25^\circ\text{C}$	–	7	15	mA
Gate Non-trigger Voltage	V_{GD}	$V_D = V_{DRM} \times 0.5$, $R_{GREF} = 1\text{ k}\Omega$, $T_J = 125^\circ\text{C}$	0.2	–	–	V
Holding Current	I_H	$R_{GREF} = 1\text{ k}\Omega$, $T_J = 25^\circ\text{C}$	–	20	–	mA
Critical Rising Rate of Off-State Voltage	dv/dt	$V_D = V_{DRM} \times 0.5$, $T_J = 125^\circ\text{C}$, $R_{GREF} = 1\text{ k}\Omega$, $C_{GREF} = 0.033\ \mu\text{F}$	–	300	–	V/ μs

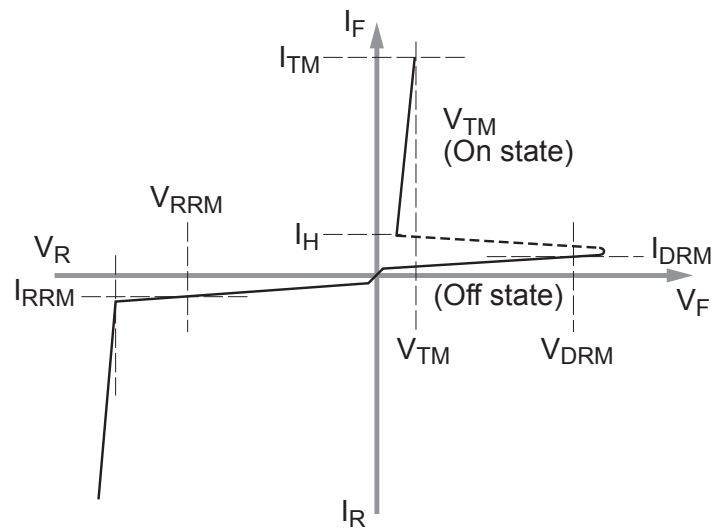
Test Circuit 1



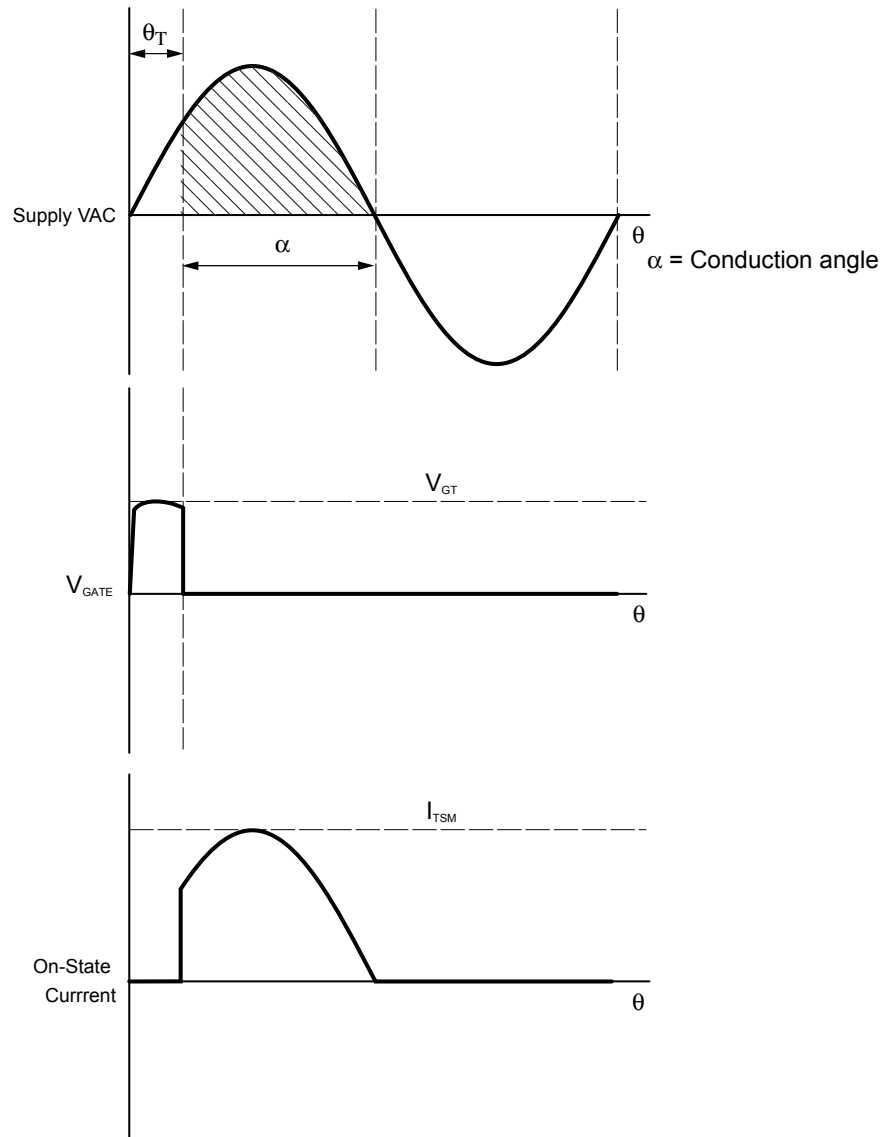
Gate Trigger Current



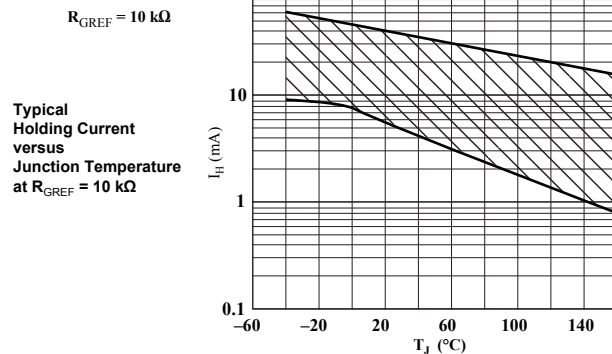
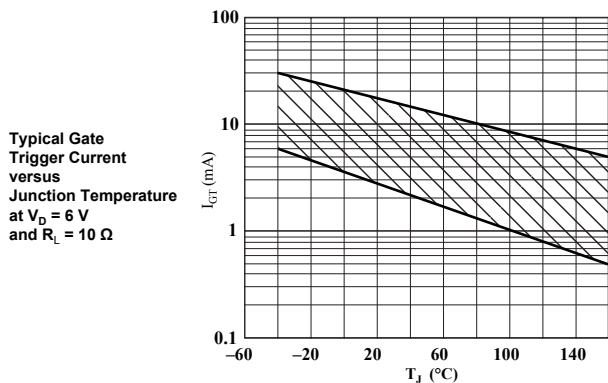
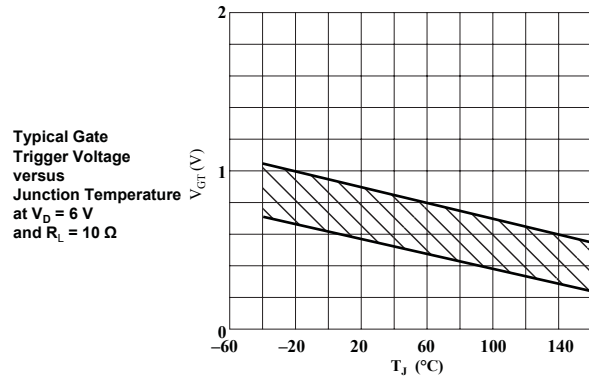
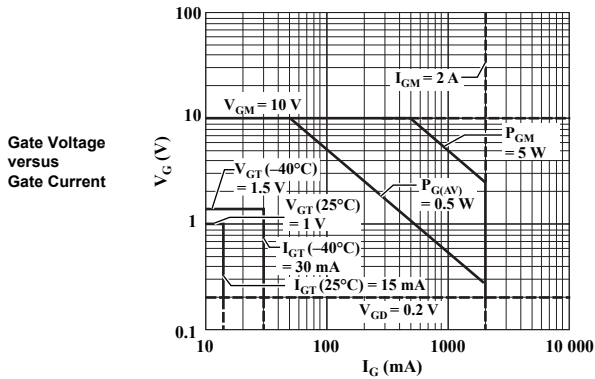
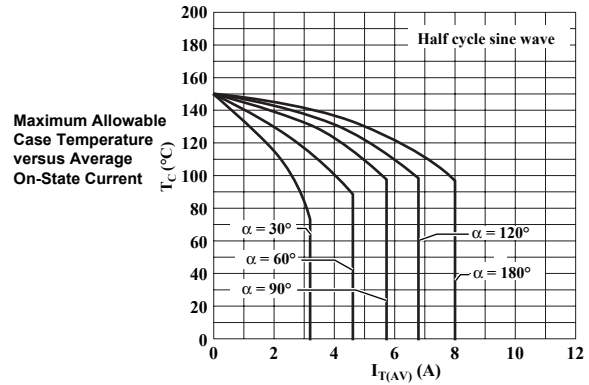
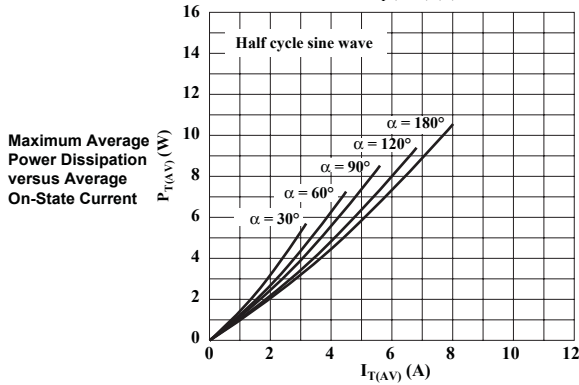
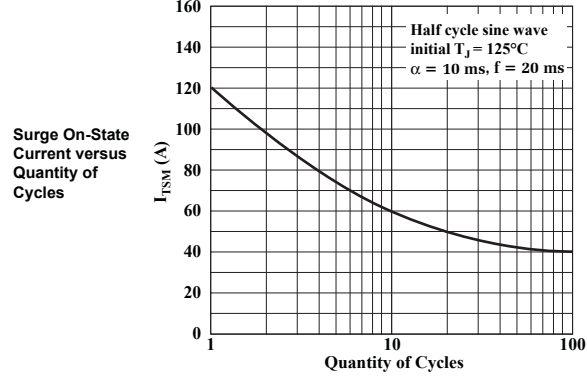
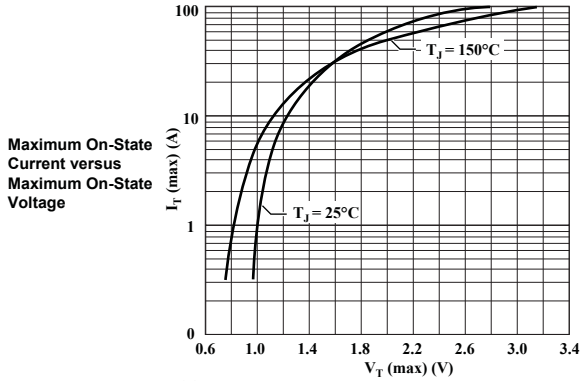
Voltage-Current Characteristic



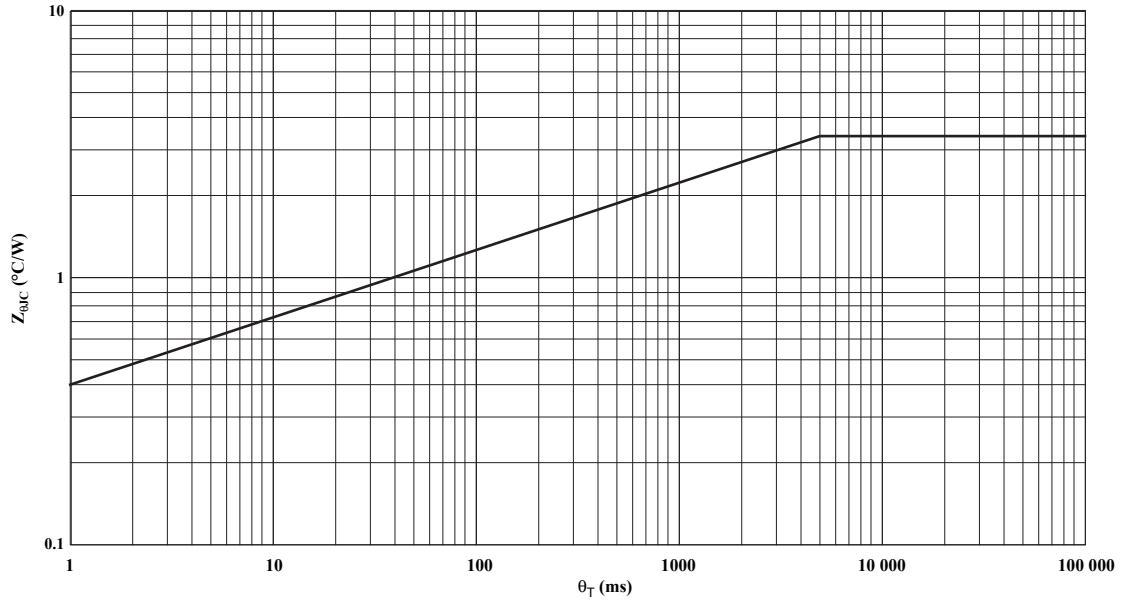
Commutation Timing Diagrams



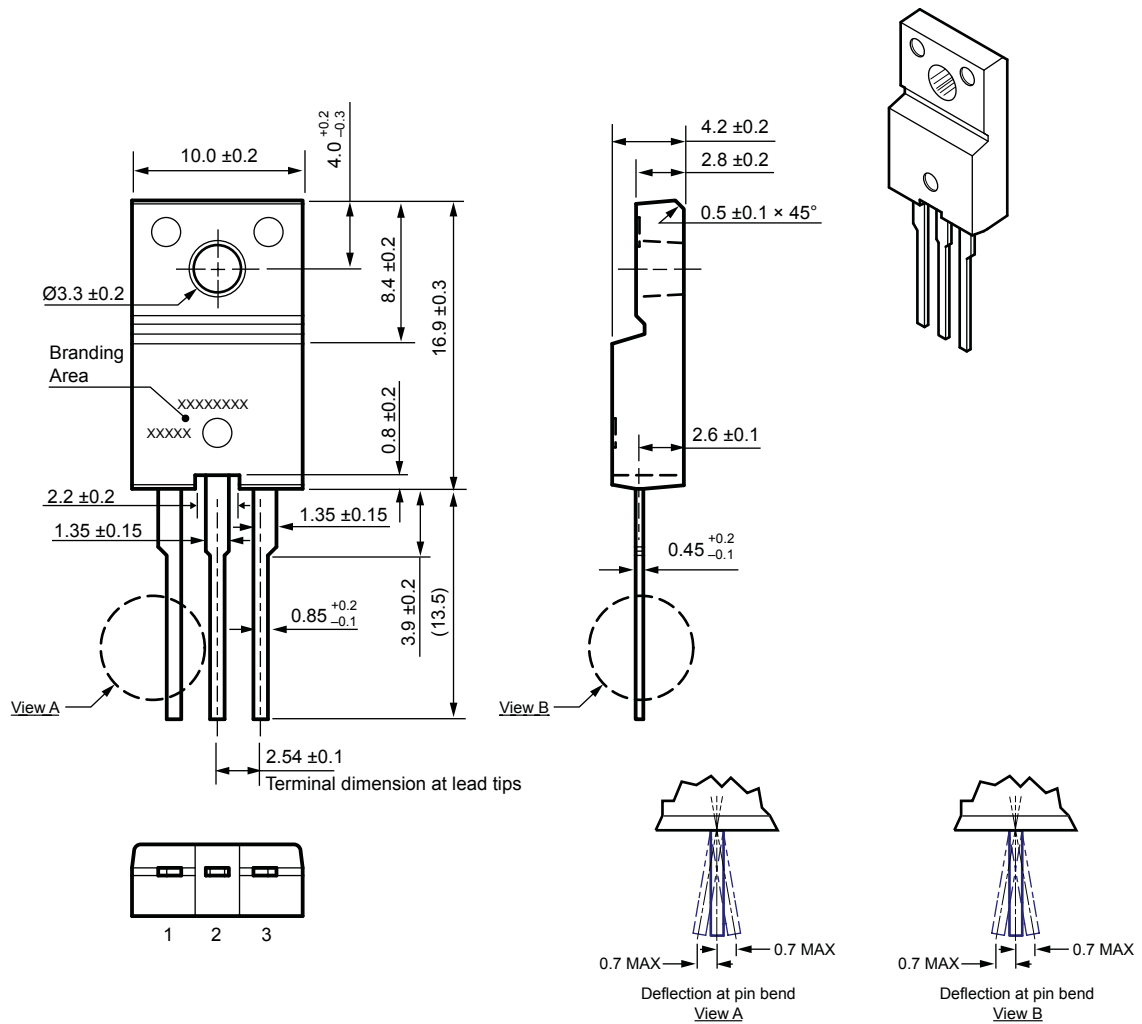
Performance Characteristics at $T_A = 25^\circ\text{C}$



Transient Thermal Impedance versus Voltage Pulse Duration
For AC



TO-220F Package Outline Drawing



Gate burr: 0.3 mm (max.), mold flash may appear at opposite side
 Terminal core material: Cu
 Terminal treatment: Ni plating and Pb-free solder dip
 Leadform: 600
 Package: TO-220F (FM20)

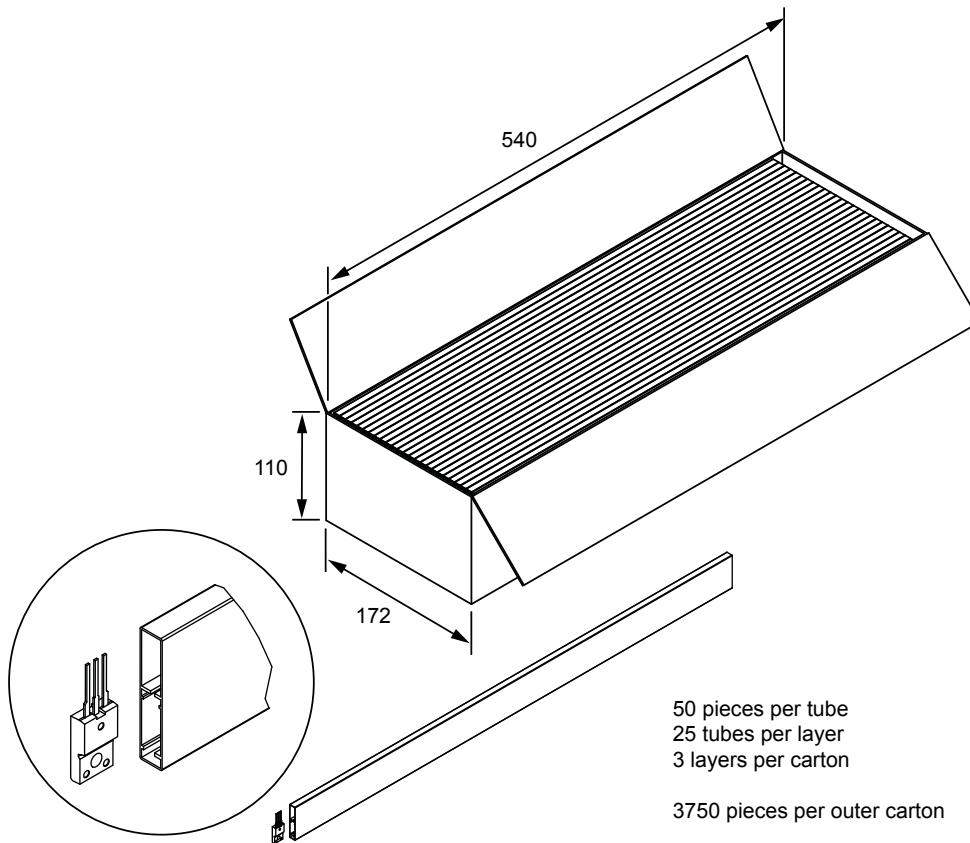
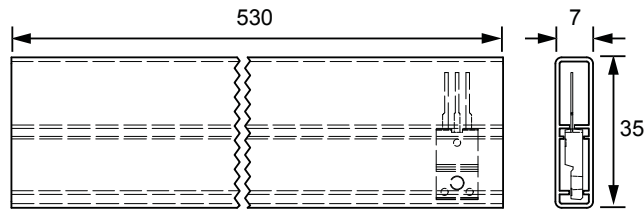
Branding codes (exact appearance at manufacturer discretion):
 1st line, type: TFA8xx
 2nd line, lot: YM
 Where: Y is the last digit of the year of manufacture
 M is the month (1 to 9, O, N, D)

Dimensions in millimeters



Leadframe plating Pb-free. Device meets RoHS requirements.

Packing Specification
Tube Packing

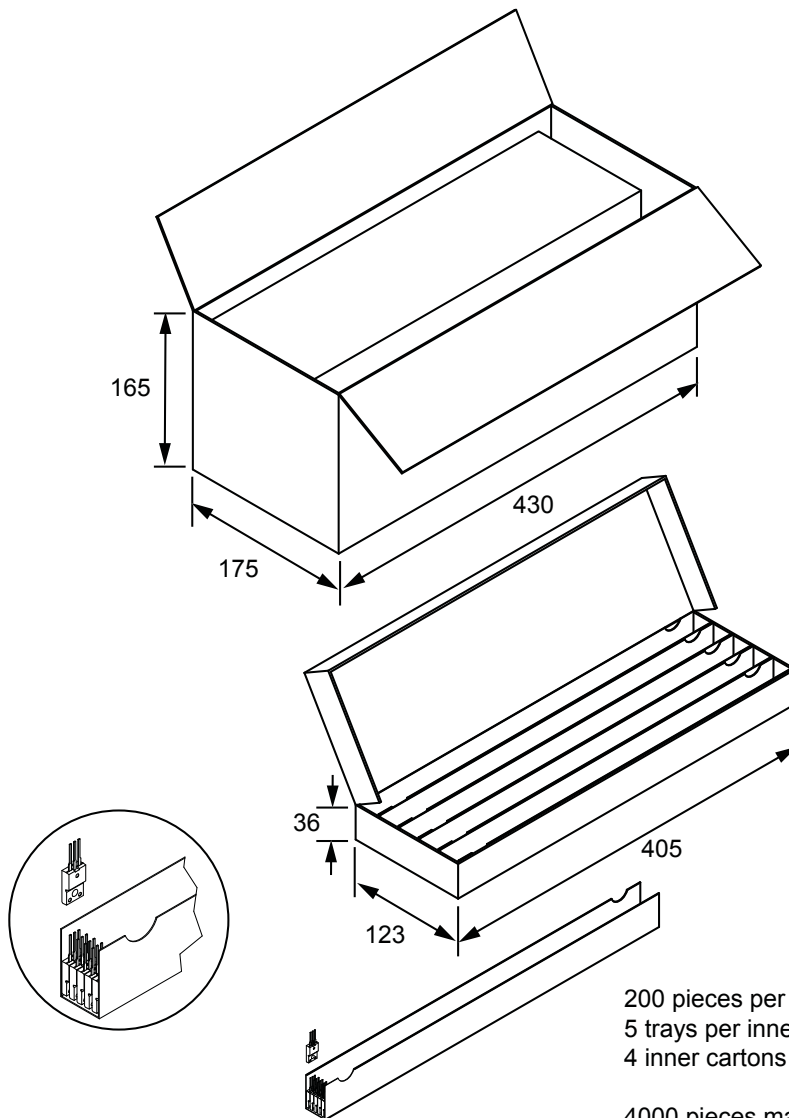


50 pieces per tube
25 tubes per layer
3 layers per carton

3750 pieces per outer carton

Dimensions in mm

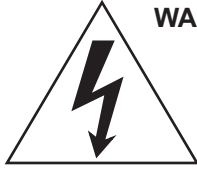
Bulk Packing



200 pieces per tray
5 trays per inner carton
4 inner cartons per outer carton

4000 pieces maximum per outer carton

Dimensions in millimeters



WARNING — These devices are designed to be operated at lethal voltages and energy levels. Circuit designs that embody these components must conform with applicable safety requirements. Precautions must be taken to prevent accidental contact with power-line potentials. Do not connect grounded test equipment.

The use of an isolation transformer is recommended during circuit development and breadboarding.

Because reliability can be affected adversely by improper storage environments and handling methods, please observe the following cautions.

Cautions for Storage

- Ensure that storage conditions comply with the standard temperature (5°C to 35°C) and the standard relative humidity (around 40 to 75%); avoid storage locations that experience extreme changes in temperature or humidity.
- Avoid locations where dust or harmful gases are present and avoid direct sunlight.
- Reinspect for rust on leads and solderability of products that have been stored for a long time.

Cautions for Testing and Handling

When tests are carried out during inspection testing and other standard test periods, protect the products from power surges from the testing device, shorts between adjacent products, and shorts to the heatsink.

Remarks About Using Silicone Grease with a Heatsink

- When silicone grease is used in mounting this product on a heatsink, it shall be applied evenly and thinly. If more silicone grease than required is applied, it may produce stress.
- Coat the back surface of the product and both surfaces of the insulating plate to improve heat transfer between the product and the heatsink.
- Volatile-type silicone greases may permeate the product and produce cracks after long periods of time, resulting in reduced heat radiation effect, and possibly shortening the lifetime of the product.
- Our recommended silicone greases for heat radiation purposes, which will not cause any adverse effect on the product life, are indicated below:

Type	Suppliers
G746	Shin-Etsu Chemical Co., Ltd.
YG6260	Momentive Performance Materials
SC102	Dow Corning Toray Silicone Co., Ltd.

Heatsink Mounting Method

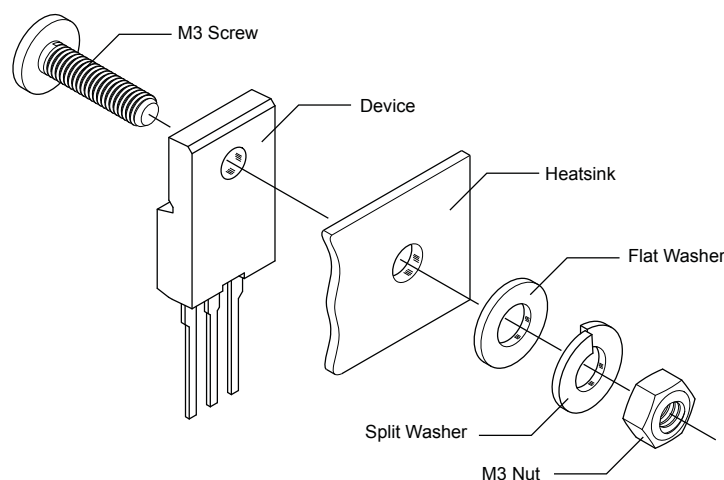
- **Torque When Tightening Mounting Screws.** Thermal resistance increases when tightening torque is low, and radiation effects are decreased. When the torque is too high, the screw can strip, the heatsink can be deformed, and distortion can arise in the product frame. To avoid these problems, observe the recommended tightening torques for this product package type 0.490 to 0.686 N·m (5 to 7 kgf·cm).
- For effective heat transfer, the contact area between the product and the heatsink should be free from burrs and metal fragments, and the heatsink should be flat and large enough to contact over the entire side of the product, including mounting flange and exposed thermal pad.
- The mounting hole in customer-supplied heatsink must be less than $\varnothing 4$ mm; this includes the diameter of any dimple around punched holes. This is to prevent possible deflection and cracking of the product case when fastened to the heatsink.

Soldering

- When soldering the products, please be sure to minimize the working time, within the following limits:
 $260 \pm 5^\circ\text{C}$ 10 s
 $350 \pm 5^\circ\text{C}$ 3 s
- Soldering iron should be at a distance of at least 1.5 mm from the body of the products

Electrostatic Discharge

- When handling the products, operator must be grounded. Grounded wrist straps worn should have at least 1 M Ω of resistance to ground to prevent shock hazard.
- Workbenches where the products are handled should be grounded and be provided with conductive table and floor mats.
- When using measuring equipment such as a curve tracer, the equipment should be grounded.
- When soldering the products, the head of soldering irons or the solder bath must be grounded in order to prevent leak voltages generated by them from being applied to the products.
- The products should always be stored and transported in our shipping containers or conductive containers, or be wrapped in aluminum foil.



The products described herein are manufactured in Japan by Sanken Electric Co., Ltd. for sale by Allegro MicroSystems, Inc.

Sanken and Allegro reserve the right to make, from time to time, such departures from the detail specifications as may be required to permit improvements in the performance, reliability, or manufacturability of its products. Therefore, the user is cautioned to verify that the information in this publication is current before placing any order.

When using the products described herein, the applicability and suitability of such products for the intended purpose shall be reviewed at the users responsibility.

Although Sanken undertakes to enhance the quality and reliability of its products, the occurrence of failure and defect of semiconductor products at a certain rate is inevitable.

Users of Sanken products are requested to take, at their own risk, preventative measures including safety design of the equipment or systems against any possible injury, death, fires or damages to society due to device failure or malfunction.

Sanken products listed in this publication are designed and intended for use as components in general-purpose electronic equipment or apparatus (home appliances, office equipment, telecommunication equipment, measuring equipment, etc.). Their use in any application requiring radiation hardness assurance (e.g., aerospace equipment) is not supported.

When considering the use of Sanken products in applications where higher reliability is required (transportation equipment and its control systems or equipment, fire- or burglar-alarm systems, various safety devices, etc.), contact a company sales representative to discuss and obtain written confirmation of your specifications.

The use of Sanken products without the written consent of Sanken in applications where extremely high reliability is required (aerospace equipment, nuclear power-control stations, life-support systems, etc.) is strictly prohibited.

The information included herein is believed to be accurate and reliable. Application and operation examples described in this publication are given for reference only and Sanken and Allegro assume no responsibility for any infringement of industrial property rights, intellectual property rights, or any other rights of Sanken or Allegro or any third party that may result from its use.

Anti radioactive ray design is not considered for the products listed herein.

The contents in this document must not be transcribed or copied without Sanken's written consent.

Copyright © 2008-2010 Allegro MicroSystems, Inc.

This datasheet is based on Sanken datasheet SSE-24049



Allegro MicroSystems, Inc.
115 Northeast Cutoff
Worcester, Massachusetts 01615-0036 U.S.A.
1.508.853.5000; www.allegromicro.com



Worldwide ContactsAsia-Pacific**China****Sanken Electric Hong Kong Co., Ltd.**

Suite 1026, Ocean Centre
Canton Road, Tsimshatsui
Kowloon, Hong Kong
Tel: 852-2735-5262, Fax: 852-2735-5494

Sanken Electric (Shanghai) Co., Ltd.

Room 3202, Maxdo Centre
Xingyi Road 8, Changning District
Shanghai, China
Tel: 86-21-5208-1177, Fax: 86-21-5208-1757

Sanken Electric (Shanghai) Co., Ltd.

Shenzhen Office
Room 1013, Xinhua Insurance Building
Mintian Road, Futian District
Shenzhen City, Guangdong, China
Tel: 86-755-3391-9356/9358, Fax: 86-755-3391-9368

Taiwan Sanken Electric Co., Ltd.

Room 1801, 18th Floor
88 Jung Shiau East Road, Sec. 2
Taipei 100, Taiwan R.O.C.
Tel: 886-2-2356-8161, Fax: 886-2-2356-8261

Japan**Sanken Electric Co., Ltd.
Overseas Sales Headquarters**

Metropolitan Plaza Building
1-11-1 Nishi-Ikebukuro, Toshima-ku
Tokyo 171-0021, Japan
Tel: 81-3-3986-6164, Fax: 81-3-3986-8637

Korea**Sanken Electric Korea Co., Ltd.**

Samsung Life Yeouido Building 16F
23-10, Yeouido-Dong, Yeongdeungpo-gu
Seoul 150-734, Korea
Tel: 82-2-714-3700, Fax: 82-2-3272-2145

Singapore**Sanken Electric Singapore Pte. Ltd.**

150 Beach Road, #14-03 The Gateway West
Singapore 189720
Tel: 65-6291-4755, Fax: 65-6297-1744

Europe**Sanken Power Systems (UK) Limited**

Pencoed Technology Park
Pencoed, Bridgend CF35 5HY, United Kingdom
Tel: 44-1656-869-100, Fax: 44-1656-869-162

North America**United States****Allegro MicroSystems, Inc.**

115 Northeast Cutoff
Worcester, Massachusetts 01606, U.S.A.
Tel: 1-508-853-5000, Fax: 1-508-853-7895

Allegro MicroSystems, Inc.

14 Hughes Street, Suite B105
Irvine, California 92618, U.S.A.
Tel: 1-949-460-2003, Fax: 1-949-460-7837