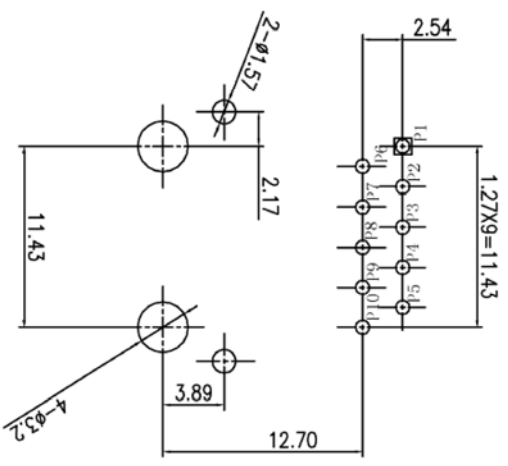
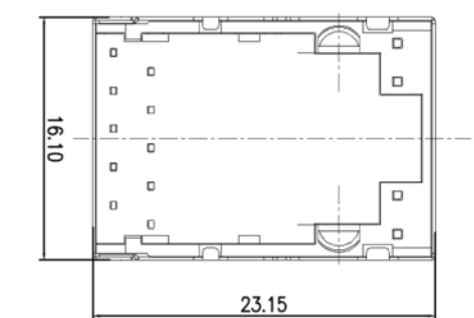
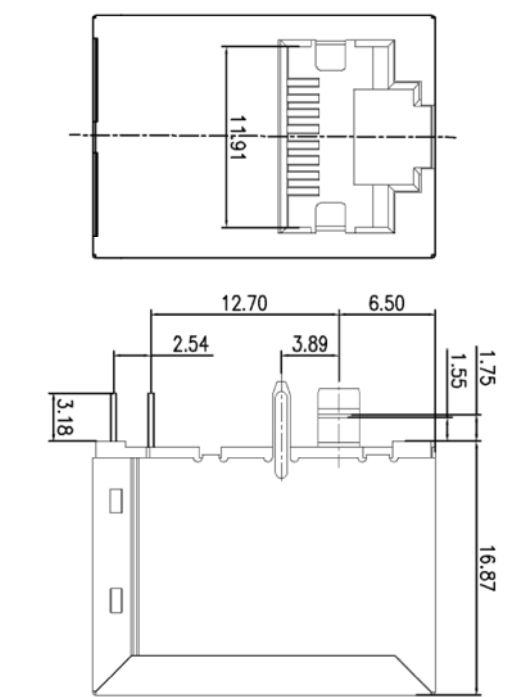


Rev	AWO #	Description	Date	Appr
-	9741	RELEASED	9/11/09	

APPROVED: _____
 DATE: _____ TITLE: _____



RECOMMENDED PCB LAYOUT

SPECIFICATIONS:

Material:
 Insulator: PBT, glass reinforced, rated UL 94V-0
 Insulator color: Black
Contacts: Copper Alloy
 Shield: Copper Alloy, Nickel plated
Plating:
 Gold plating over Nickel underplate on contact area,
 Tin over Copper underplate on tails.
 (See chart for thickness)

Electrical:
 Operating voltage: 125 VAC max
 Current rating: 1.5 Amps max
 Insulation resistance: 1000 Mohms min @ 500 VDC
 Dielectric withstanding voltage: 1000 VAC for 1 minute

Temperature Rating:
 Operating temperature: -40°C to +85°C
Environmental:
 Lead free, RoHS compliant.

"X"	PLATING
0	15 uin Gold
1	30 uin Gold
2	50 uin Gold



UNLESS OTHERWISE SPECIFIED ALL DIMENSIONS ARE IN MM	
TOLERANCES: EXCEPT AS NOTED	HOLDS
INCHES	±.10
XX	±.020
.XXX	±.015
XXX	±.015
APPROVALS	DATE
DRAWN	DY
CHECKED	
APPROVED	

ADAM TECH
 909 Railway Avenue, Union, NJ 07083
 Phone: 908-687-5000 Fax: 908-687-5710

TITLE: MODULAR JACK GANGED, 1 PORT, 8P8C

SIZE	PART NO.	REV.
X	MTJ-88CPX-FSJ-M75	-
REF:	S0005C	SCALE: NTS
		SHEET 1 OF 2

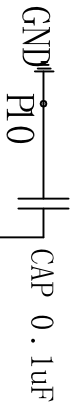
6 5 4 3 2 1

Rev	AWO #	Description	Date	Appr
		SEE SHT 1 OF 2 FOR REVISION		

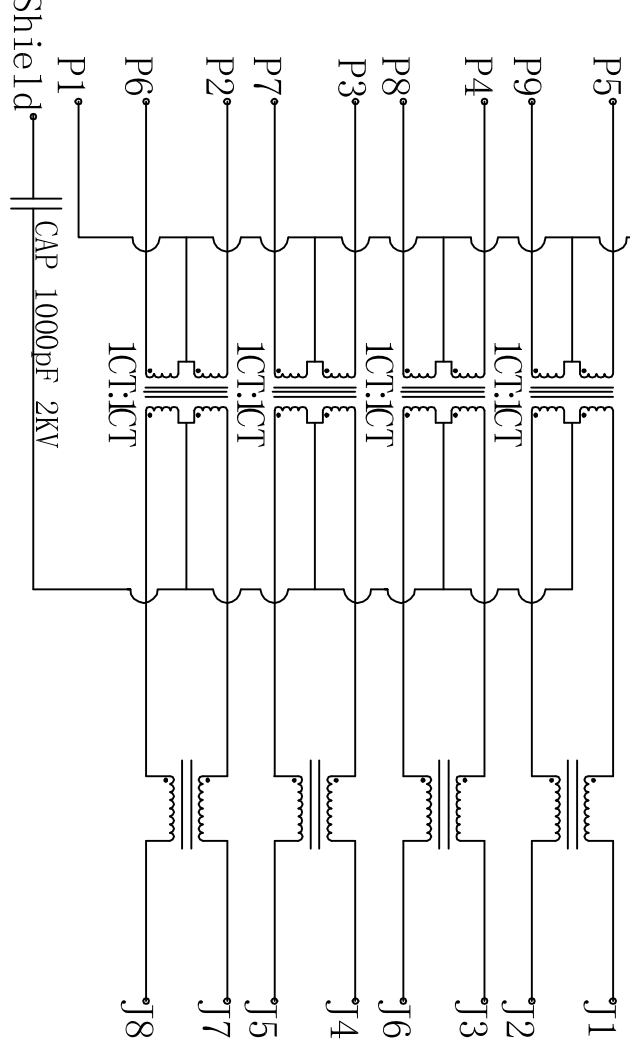
APPROVED: _____

DATE: _____ TITLE: _____

D



C



B

- ELECTRICAL SPECIFICATIONS**
- Turns Ratio: (P5 ~ P9) : (J1 ~ J2) 1:1 ±3%
 (P4 ~ P8) : (J3 ~ J6) 1:1 ±3%
 (P3 ~ P7) : (J4 ~ J5) 1:1 ±3%
 (P2 ~ P6) : (J7 ~ J8) 1:1 ±3%
 - Inductance: (P5 ~ P9) 350uH min. @ 0.1V, 100KHZ, 8mA DC Bias
 (P4 ~ P8) 350uH min. @ 0.1V, 100KHZ, 8mA DC Bias
 (P3 ~ P7) 350uH min. @ 0.1V, 100KHZ, 8mA DC Bias
 (P2 ~ P6) 350uH min. @ 0.1V, 100KHZ, 8mA DC Bias
 - Leakage Inductance: P5 ~ P9 (with J1 and J2 Short): 0.3uH Max. @ 1 MHz
 P4 ~ P8 (with J3 and J6 Short): 0.3uH Max. @ 1 MHz
 P3 ~ P7 (with J4 and J5 Short): 0.3uH Max. @ 1 MHz
 P2 ~ P6 (with J7 and J8 Short): 0.3uH Max. @ 1 MHz
 - Interwinding Capacitor: (P5 ~ P9) : (J1 ~ J2): 105pF max. @ 1MHZ
 (P4 ~ P8) : (J3 ~ J6): 105pF max @ 1MHZ
 (P3 ~ P7) : (J4 ~ J5): 105pF max @ 1MHZ
 (P2 ~ P6) : (J7 ~ J8): 105pF max @ 1MHZ
 - DC Resistance: (J1 ~ J2) : (J3 ~ J6): 1.2 Ohms Max.
 (J4 ~ J5) : (J7 ~ J8): 1.2 Ohms Max.
 - Return Loss: 1MHZ to 30MHZ: -18dB min / 30MHZ to 80MHZ: -12dB min
 - Dielectric Withstanding: (P5~P9) : (J1~J2) : (P4~P8) : (J3~J6) :1500V AC
 (P3~P7) : (J4~J5) : (P2~P6) : (J7~J8) :1500V AC
 - Insertion Loss: RS=RL=1000OHM : 100KHZ TO 80MHZ : -1.1dB Min.
 Output Voltage= 1V Peak :3.0NS Max.
 - Rise Time: RS=100 Ohms and RL=100 ohms
 Pulse Width= 112nS :3.0NS Max.
 - Cross Talk: 1MHZ to 100MHZ: 40dB Typ.
 - Common to Common mode Attenuation 30MHZ to 100MHZ: 35dB Typ.

A

UNLESS OTHERWISE SPECIFIED
 ALL DIMENSIONS ARE INCHES [MM]
 TOLERANCES: EXCEPT AS NOTED

.X	± .10	Ø.X	± .10
.XX	± .020	Ø.XXX	± .015
.XXX	± .015	Ø.XXX	± .010

APPROVALS

DRAWN	DY	DATE
		9/11/09

CHECKED

APPROVED

ADAM TECH
 909 Rahway Avenue, Union, NJ 07083
 Phone: 908-687-5000 Fax: 908-687-5710

MODULAR JACK GANGED, 1 PORT, 8P8C

SIZE	PART NO.	REV.
X	MTJ-88CPX-FSJ-M75	-
REF:	S0008C	
SCALE:	NTS	
SHEET	2 OF 2	