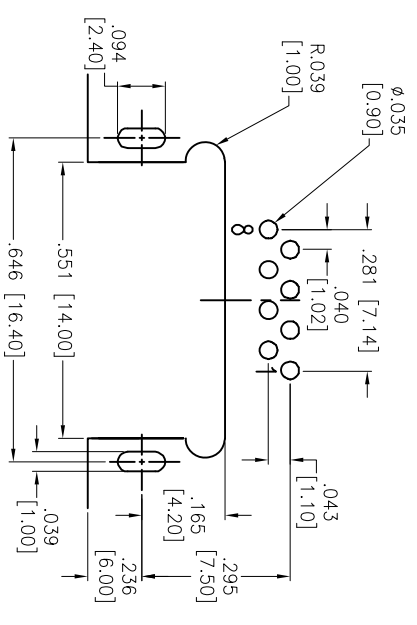
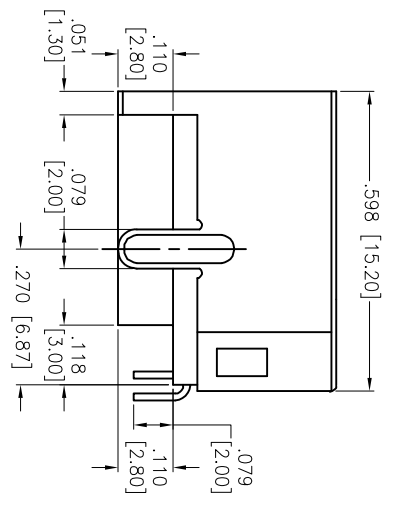
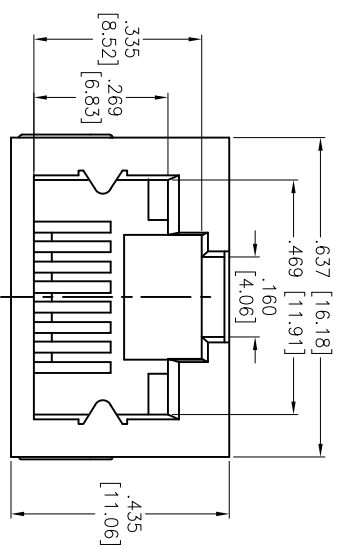
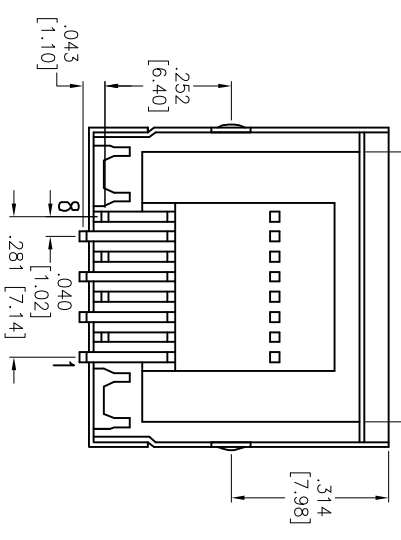


APPROVED: \_\_\_\_\_  
 DATE: \_\_\_\_\_ TITLE: \_\_\_\_\_

Rev	AWO #	Description	Date	Appr
-		RELEASED	12/20/11	
A		ADDED DIM.	1/22/15	AV/GC



RECOMMENDED PCB LAYOUT



**SPECIFICATIONS:**

Material: Nylon46, rated UL 94V-0  
 Insulator color: Black  
 Contacts: Phosphor Bronze  
 Shield: Copper Alloy, Nickel plated  
 Contact Plating:  
 Gold Flash over Nickel underplate on contact area,  
 Tin over Copper underplate on tails  
 (See chart for thickness).  
 Electrical:  
 Operating voltage: 125 VAC max  
 Current rating: 1.5 Amps max  
 Contact Resistance: 35 mohms max. initial  
 Insulation resistance: 1,000 Mohms min  
 Dielectric withstanding voltage: 1,000 VAC for 1 minut  
 Temperature Rating:  
 Operating temperature: -40°C to +85°C  
 Environmental:  
 Lead free, RoHS compliant.

X	PLATING
0	15 µm Gold
1	30 µm Gold
2	50 µm Gold

UNLESS OTHERWISE SPECIFIED  
 ALL DIMENSIONS ARE INCHES [MM]  
 TOLERANCES: EXCEPT AS NOTED  
 INCHES: .X ±.10 Ø.XX ±.020 .XXX ±.015  
 HOLES: .X ±.10 Ø.XX ±.015 .XXX ±.010  
 APPROVALS: \_\_\_\_\_ DATE: \_\_\_\_\_

**ADAM TECH**  
 909 Railway Avenue, Union, NJ 07083  
 Phone: 908-687-5000 Fax: 908-687-5710

APPROVALS	DATE
DRAWN TW	12/20/11
CHECKED AY	12/20/11
APPROVED	

SIZE	PART NO.	REV.
X	MTJ-88CPX1D-FS-HT	A

REF: S00065T SCALE: NTS SHEET 1 OF 1

