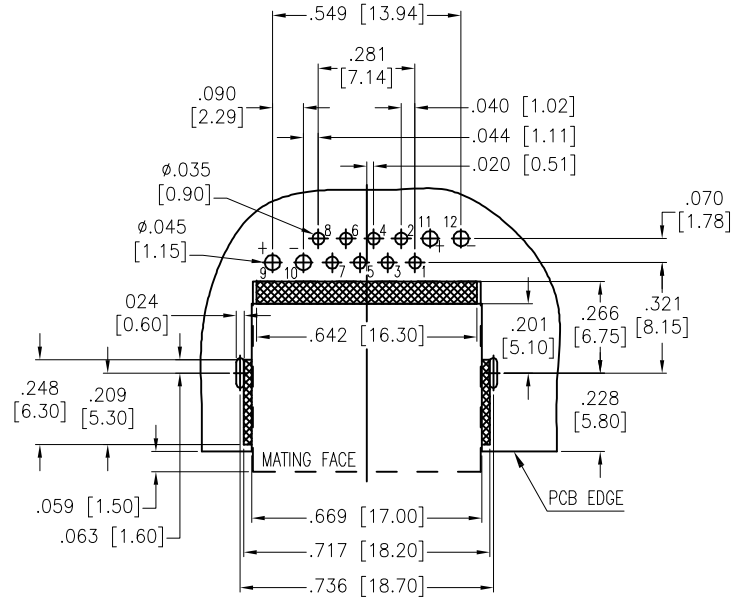
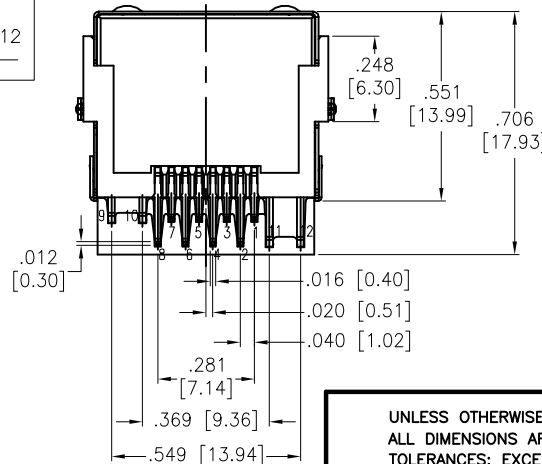
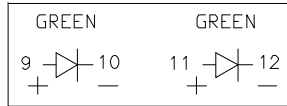
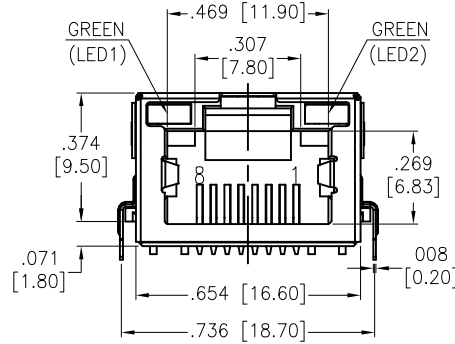
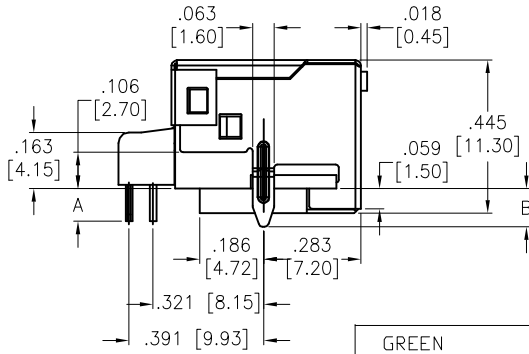
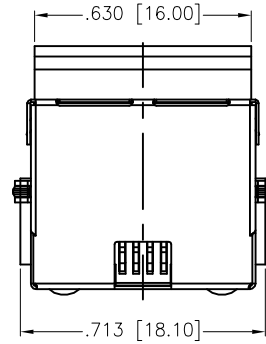


APPROVED: _____
 DATE: _____ TITLE: _____

Rev	AWO #	Description	Date	Appr
-		RELEASED	5/10/16	

ADAM P/N	Dim. A	Dim. B
MTJ-88CPX1-B1-FS-LD-HT	.043 [1.10]	.059 [1.50]
MTJ-88CPX1-B2-FS-LD-HT	.094 [2.40]	.110 [2.80]



RECOMMENDED PCB LAYOUT

X	PLATING
0	15 µin Gold
1	30 µin Gold
2	50 µin Gold
6	6 µin Gold

SPECIFICATIONS:

Material:
 Insulator: Hi-temp thermoplastic, rated UL 94V-0
 Insulator color: Black
 Contacts: Phosphor Bronze
 Shield: Brass, Nickel plated
Plating:
 Round contact
 Gold over Nickel underplate overall
 Flat contact
 Gold over Nickel underplate on contact area,
 Tin over Nickel underplate on solder tails
 (See chart for thickness)
Electrical:
 Operating voltage: 125 VAC RMS
 Current rating: 1.5 Amps
 Contact Resistance: 20 mohms max
 Insulation resistance: 1,000 Mohms min @ 500 VDC
 Dielectric withstanding voltage:
 1,000 VDC or AC peak for 1 minute (Contact to Contact)
 1,500 VDC or AC peak for 1 minute (Contact to screen and test panel)
 Temperature Rating:
 Operating temperature: -40°C to +85°C
Environmental:
 Lead free, RoHS compliant.



UNLESS OTHERWISE SPECIFIED
 ALL DIMENSIONS ARE INCHES [MM]
 TOLERANCES: EXCEPT AS NOTED
 INCHES HOLES
 .X ± .10 Ø.X ± .10
 .XX ± .020 Ø.XX ± .015
 .XXX ± .015 Ø.XXX ± .010

APPROVALS		DATE
DRAWN	HR	5/10/16
CHECKED	CH	5/10/16
APPROVED		

ADAM TECH

909 Rahway Avenue, Union, NJ 07083
 Phone: 908-687-5000 Fax: 908-687-5710

TITLE MODULAR JACK GANGED, 1 PORT, 8P8C EDGE HANG TYPE, W/ LED1 GREEN, LED2 GREEN		
SIZE X	PART NO. MTJ-88CPX1-BX-FS-LD-HT	REV. -
REF: S00005C	SCALE: NTS	SHEET 1 OF 1

6

5

4

3

2

1

D

D

C

C

B

B

A

A

6

5

4

3

2

1