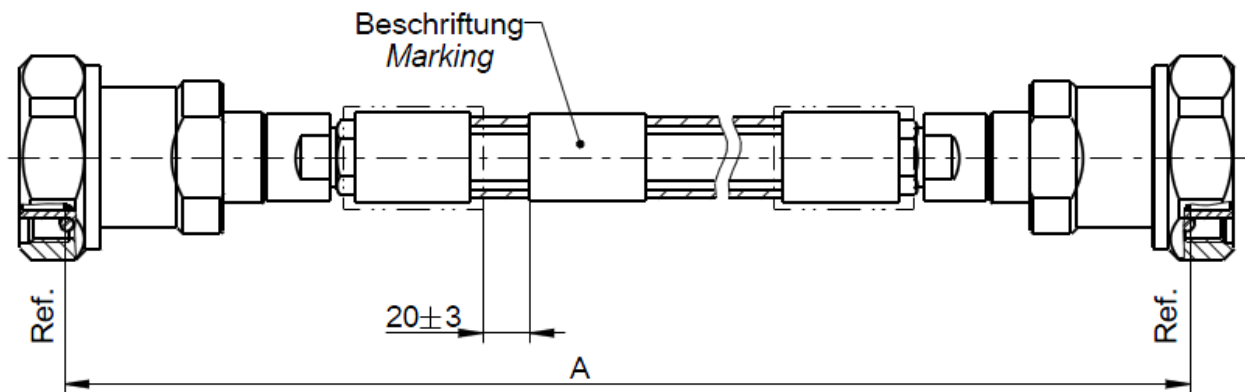


# Technical Data Sheet

# Rosenberger

Cable assembly  
7/16 plug / plug – RTK 081 Cable – T1 Armour

## LA2-106-XXX



All dimensions are in mm; tolerances:  $\pm 3$  mm for  $A \leq 300$  mm;  $\pm 1\%$  for  $A > 300$  mm

### Available variants

Type	max. Insertion loss at 8 GHz	Marking	Weight (g) / pce
LA2-106-XXX	$\leq 0.00045 \text{ dB/mm} * A \text{ mm} + 0.1 \text{ dB}$	ROSENBERGER YYYYY-WW LA2-106-XXX FAC-RRRRRRR ssss	$0.427 \text{ g/mm} * A \text{ mm} + 290 \text{ g}$

XXX – length in mm = A  
WW – week YYYYY – year ssss – serial no. FAC – Factory Code RRRRRRR – lot nr.

Note: max. Insertion Loss:  
First constant = Cable attenuation in dB /mm; Second Constant = Connector left and Connector right +needed Adaptor

Weight:  
First constant = Cable- and Armour- weight per mm; Second Constant = Connector left and Connector right weight per pce

### Assembly parts

Connector left	7/16 plug	60S152-2A2N1
Connector right	7/16 plug	60S152-2A2N1
Cable	RTK 081	
Armour	Polyurethane jacket over braid / stainless steel spiral	

### Electrical data

Impedance	50 $\Omega$
Frequency	DC to 8 GHz
Return loss <sup>1</sup>	$\geq 19 \text{ dB}$ , DC to 8 GHz
Insertion loss <sup>1</sup>	see table available variants

<sup>1</sup> Return Loss and Insertion Loss includes the measurement adaptor

# Technical Data Sheet

# Rosenberger

Cable assembly  
7/16 plug / plug – RTK 081 Cable – T1 Armour

## LA2-106-XXX

### Mechanical data

Minimum bend radius:  
Single 38 mm  
Multiple 76.2 mm  
Crush resistance 80 N/mm

### Environmental data

Temperature range -40°C to +80°C  
RoHS compliant

While the information has been carefully compiled to the best of our knowledge, nothing is intended as representation or warranty on our part and no statement herein shall be construed as recommendation to infringe existing patents. In the effort to improve our products, we reserve the right to make changes judged to be necessary.

Draft	Date	Approved	Date	Rev.	Engineering change number	Name	Date
F. Reiner	23.11.15	H. Babinger	01.12.15	b00	15-s435	B.Zimmerle	01.12.15

Rosenberger Hochfrequenztechnik GmbH & Co. KG  
P.O.Box 1260 D-84526 Tittmoning Germany  
[www.rosenberger.de](http://www.rosenberger.de)

Tel. : +49 8684 18-0  
Email : [info@rosenberger.de](mailto:info@rosenberger.de)

Page  
2 / 2