

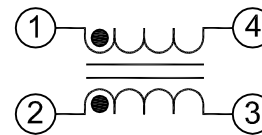
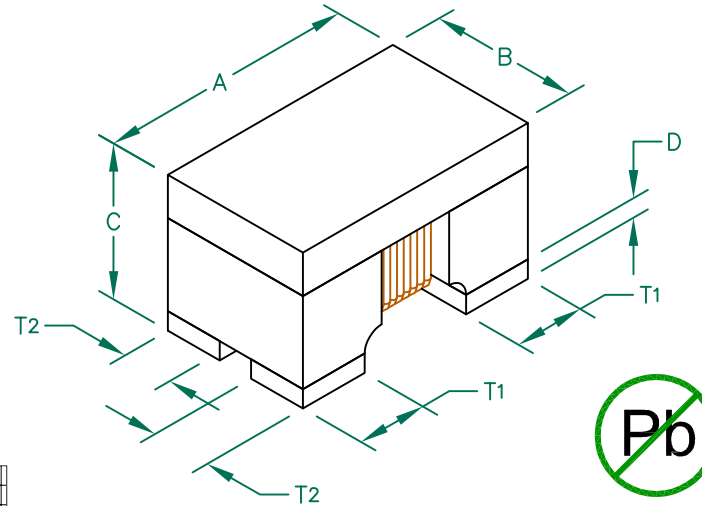
CM0805C161R-10

UNCONTROLLED DOCUMENT

PHYSICAL DIMENSIONS:

A	2.00 [.079]	+ 0.20 [.008]
B	1.20 [.047]	+ 0.20 [.008]
C	1.20 [.047]	+ 0.20 [.008]
D	0.15 [.006]	+ 0.10 [.004]

T1	0.55 [.022]	+ 0.10 [.004]
T2	0.46 [.018]	+ 0.10 [.004]

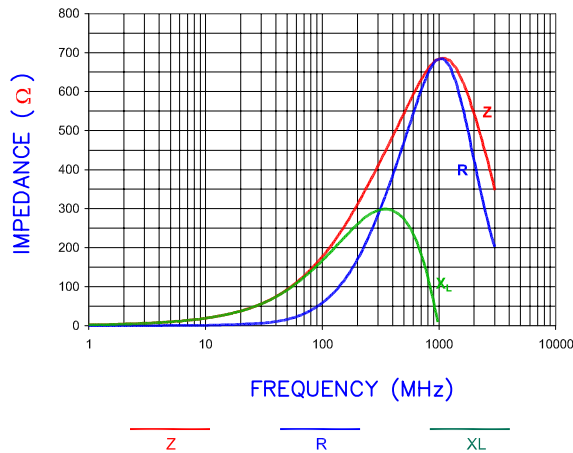


LAND PATTERNS FOR REFLOW SOLDERING

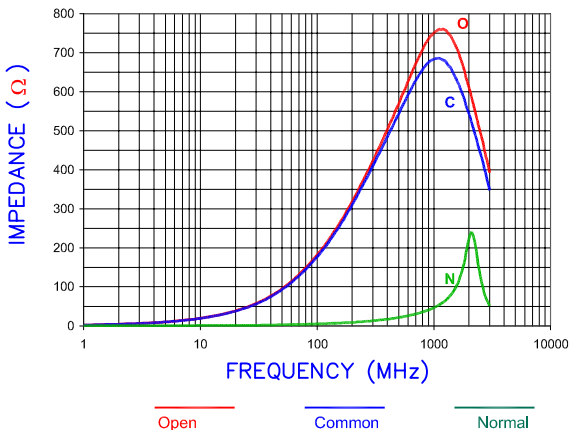
Electrical Characteristics	Nominal	Min	Max
Common Mode Impedance @ 100MHz	(Ω) 160	120	200
DCR	(Ω) -	-	0.35
Rated Current	(mA) -	-	300

- NOTES: UNLESS OTHERWISE SPECIFIED
1. TAPED AND REELED per CURRENT EIA SPECIFICATIONS 7" REELS, EMBOSSED PLASTIC TAPE 2,000 PCS/REEL.
 2. TERMINATION FINISH 100% MATTE TIN.
 3. COMPONENTS SHOULD BE ADEQUATELY PREHEATED BEFORE SOLDERING..
 4. OPERATING TEMP. RANGE: $-40^{\circ}\text{C} \sim +125^{\circ}\text{C}$. (INCLUDING SELF-HEATING)

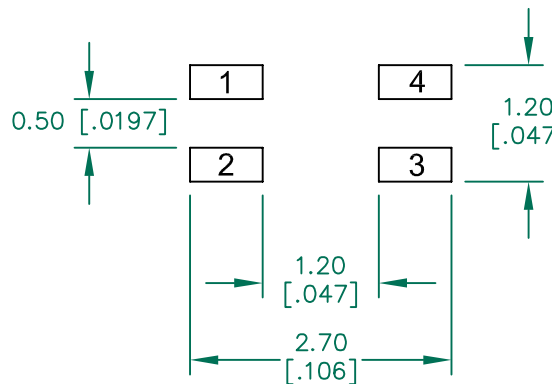
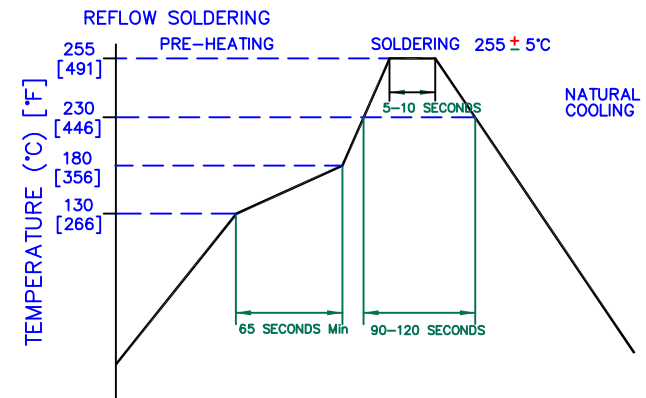
Z, R, XL vs. FREQUENCY



Z vs. FREQUENCY (C,N,O)



RECOMMENDED SOLDERING CONDITIONS



DIMENSIONS ARE IN mm [INCHES].				This print is the property of Laird Tech. and is loaned in confidence subject to return upon request and with the understanding that no copies shall be made without the written consent of Laird Tech. All rights to design or invention are reserved.		Laird	
E	ADD OPERATING TEMPERATURE UPDATE LAIRD LOGO AND REFLOW CURVE	08/05/13	QU	PROJECT/PART NUMBER:	REV	PART TYPE:	DRAWN BY:
D	CHANGE T1 AND T2 DIMENSIONS	01/11/10	JUN	CM0805C161R-10	E	CM CHOKE	JRK
C	UPDATE COMPANY LOGO	04/28/09	JRK	DATE:	SCALE:	NTS	SHEET:
B	UPDATE COMPANY LOGO	05/10/07	JRK	08/11/06			
A	ORIGINAL DRAFT	08/11/06	JRK	CAD #	TOOL #		
REV	DESCRIPTION	DATE	INT	CM0805C161R-10-E			2 of 2