

RJ45 10 Base-T Jack with Magnetic Module

ARJ11A

RoHS/RoHS II Compliant



16.26 x 13.84 x 21.59mm

FEATURES:

- Available with or without LED
- Suitable CAT 5 & 6 cable and UTP
- Comply IEEE 802.3ab
- LAN Magnetic with RJ4
- Suitable for RoHS compliant reflow

APPLICATIONS:

- 10Base-T LAN
- NIC, LoM and PC

STANDARD SPECIFICATIONS at 25°C

Operating temperature range: 0°C to +70°C Storage temperature range: -40°C to +125°C

Part Number	Turns Ratio TX/RX (±5%)	EMI fingers	LED (L/R)	Insertion Loss (dB Max)	
				1-10MHz	
ARJ11A-MASA-KT-2	1CT:1.41/1CT:1	No	---	-1	
ARJ11A-MASA-MU-2	1CT:1CT/1CT:1CT	No	---	-1	
ARJ11A-MBSC-A-B-FMU2	1CT:1CT/1CT:1CT	No	G/Y	-1	
ARJ11A-MASD-MU-2	1CT:1CT/1CT:1CT	No	---	-1	
ARJ11A-MASE-MU2	1CT:1CT/1CT:1CT	No	---	-1	
ARJ11A-MASF-LT2	1CT:1/1CT:1	No	---	-1	
ARJ11A-MASG-LT2	1CT:1/1CT:1	No	---	-1	
ARJ11A-MASH-KU2	1.414:1CT/1CT:1CT	No	---	-1.15	
ARJ11A-MCSI-B-A-EKU2	1CT:1.41CT/1CT:1CT	Yes	Y/G	-1	
ARJ11A-MASJ-MU2	1CT:1CT/1CT:1CT	No	---	-1	
ARJ11A-MASK-PU2	1:2CT/1CT:1CT	No	---	-1.15	
ARJ11A-MASL-QU2	1:1.414CT/1CT:1CT	No	---	-1.15	
ARJ11A-MASM-RT2	1CT:2.5/1CT:1	No	---	-1	
ARJ11A-MDSN-MU2	1CT:1CT/1CT:1CT	Yes	---	-1	
ARJ11A-MDSO-MU2	1CT:1CT/1CT:1CT	Yes	---	-1	

Part Number	Attenuation TX/RX (dBMIN)				Return Loss TX & RX @100Ω±15Ω (dB MIN)		Crosstalk (dB MIN)	CMR (dB MIN)	Hipot (Vrms) 0.5mA, 2sec
	20MHz	25MHz	30MHz	40MHz	1-10 MHz	5- 10MHz			
ARJ11A-MASA-KT-2	-7/-5	-18/-11	-28/-16	-33/-26	---	-13.5	-30	-30	1500
ARJ11A-MASA-MU-2	-5/-4.2	-18/-11	-28/-16	-33/-26	---	-13.5	-30	-30	1500
ARJ11A-MBSC-A-B-FMU2	-5/-4.2	-18/-11	-28/-16	-33/-26	---	-14	-30	-30	1500
ARJ11A-MASD-MU-2	-5/-4.2	-18/-11	-28/-16	-33/-26	---	-15	-30	-30	1500
ARJ11A-MASE-MU2	---	---	-30/-20	---	-15	---	-30	---	1500
ARJ11A-MASF-LT2	-5/-4.2	-18/-11	-28/-16	-33/-26	---	-13.5	-30	---	1500
ARJ11A-MASG-LT2	-5/-4.2	-18/-11	-28/-16	-33/-26	---	-15	-30	---	1500
ARJ11A-MASH-KU2	-5/-4.2	-18/-11	-28/-16	-33/-26	---	-17 Typ	-30	-30	1500
ARJ11A-MCSI-B-A-EKU2	---	---	-30/-18	---	-15	---	-30	---	1500
ARJ11A-MASJ-MU2	-5/-4.2	-18/-11	-28/-16	-33/-26	---	-17 Typ	-30	-30	1500
ARJ11A-MASK-PU2	-5/-4.2	-18/-11	-28/-16	-33/-26	-13.5	---	-30	-30	1500
ARJ11A-MASL-QU2	-5/-4.2	-18/-11	-28/-16	-33/-26	-13.5	---	-30	-30	1500
ARJ11A-MASM-RT2	---	---	---	---	---	-15	---	-25	1500
ARJ11A-MDSN-MU2	-7/-6	-19/-14	-30/-20	-32/-31	---	-17	-30	---	1500
ARJ11A-MDSO-MU2	---	---	-30/-18	---	-15	---	-30	---	1500

CMR: Common Mode Rejection

Contact Abracon for more custom configurations. See options to build a custom configuration

ABRACON IS
ISO 9001:2008
CERTIFIED



ABRACON
CORPORATION

Visit www.abracon.com for Terms & Conditions of Sale
30332 Esperanza, Rancho Santa Margarita, California 92688
tel 949-546-8000 | fax 949-546-8001 | www.abracon.com

Revised: 03.06.13

RJ45 10 Base-T Jack with Magnetic Module

ARJ11A

RoHS/RoHS II Compliant



16.26 x 13.84 x 21.59mm

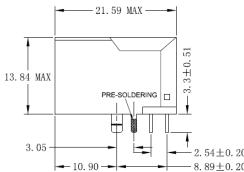
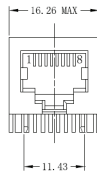
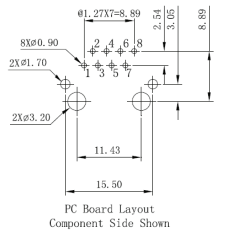
OPTIONS AND PART IDENTIFICATION

ARJ11A - - - - - - - -

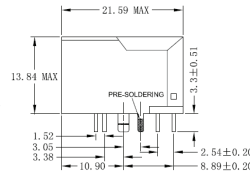
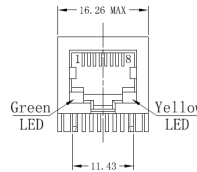
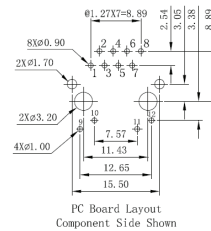
Mechanical	Schematic	Left LED color (e.g. B for Yellow, AB for Green-Yellow)	Right LED color (e.g. B for Yellow, AB for Green-Yellow)	LED polarity	Turns Ratio (Tx)	Turns Ratio (Rx)	Gold plating
MA ~ MD (Please see mechanical section)	SA ~ SO (Please see schematic section)	Blank: No LED A: Green B: Yellow C: Amber D: Orange	Blank: No LED A: Green B: Yellow C: Amber D: Orange	Blank: No LED E ~ J (Please see 7.0 LED polarity section)	K: 1CT:1.41 L: 1CT:1 M: 1CT:1CT N: 1.414:1CT O: 1CT:1.41CT P: 1:2CT Q: 1:1.414CT R: 1CT:2.5	S: 1CT:1.41 T: 1CT:1 U: 1CT:1CT V: 1.414:1CT W: 1CT:1.41CT X: 1:2CT Y: 1:1.414CT Z: 1CT:2.5	1: 3u “ 2: 6u “ 3: 15u “ 4: 30u “ 5: 50u “

MECHANICAL DIMENSIONS

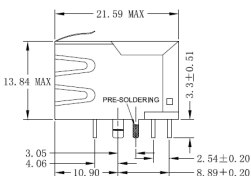
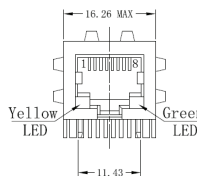
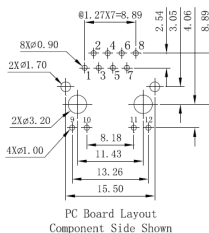
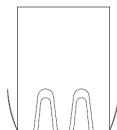
MA



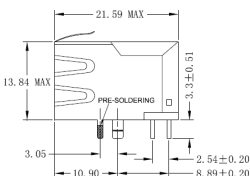
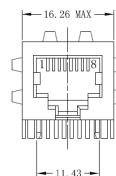
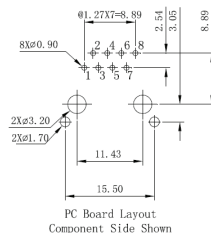
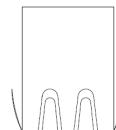
MB



MC



MD



ABRACON IS
ISO 9001:2008
CERTIFIED



ABRACON
CORPORATION

Visit www.abracon.com for Terms & Conditions of Sale
30332 Esperanza, Rancho Santa Margarita, California 92688
tel 949-546-8000 | fax 949-546-8001 | www.abracon.com

Revised: 03.06.13

RJ45 10 Base-T Jack with Magnetic Module

ARJ11A

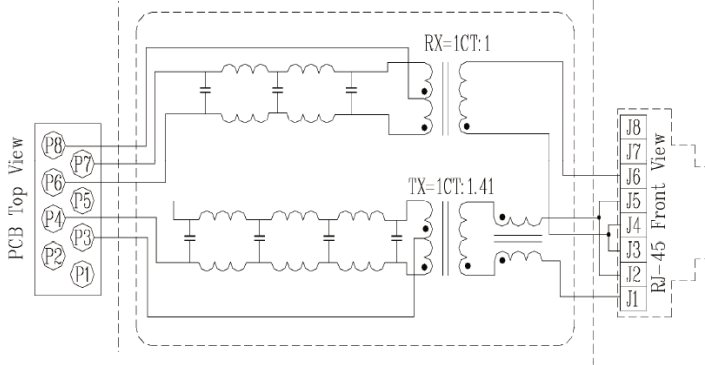
RoHS/RoHS II Compliant



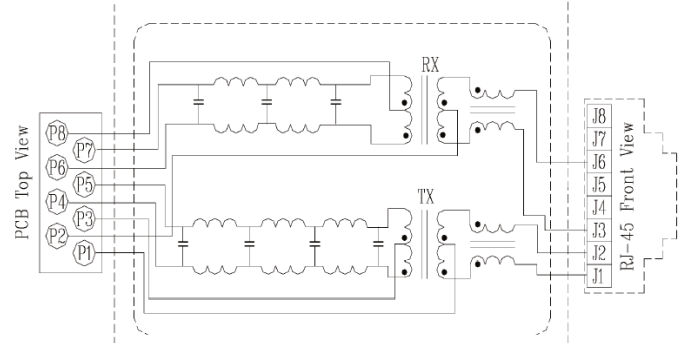
16.26 x 13.84 x 21.59mm

SCHEMATICS

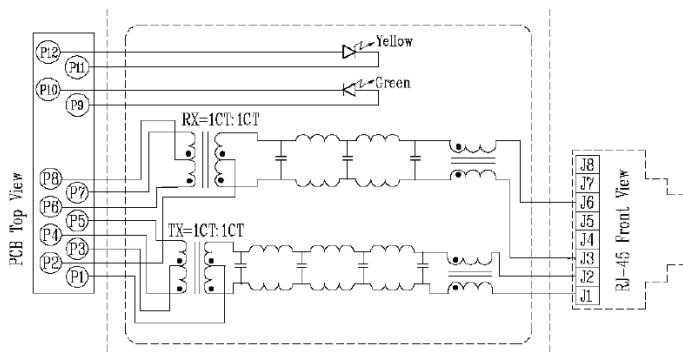
SA



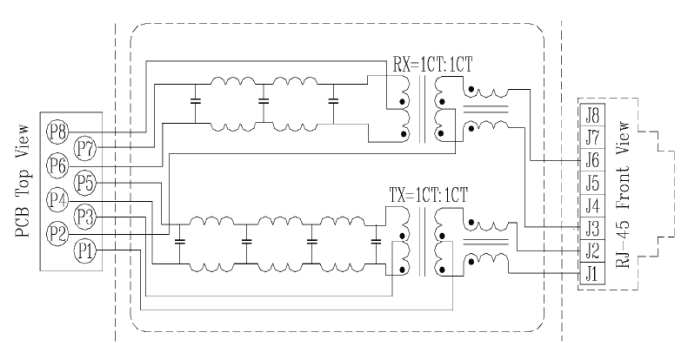
SB



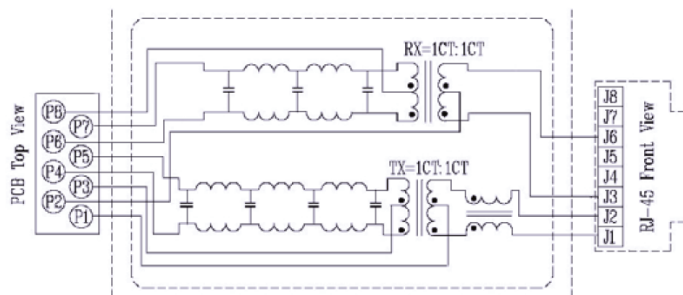
SC



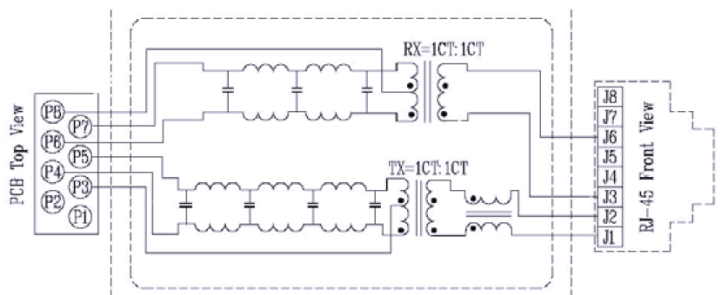
SD



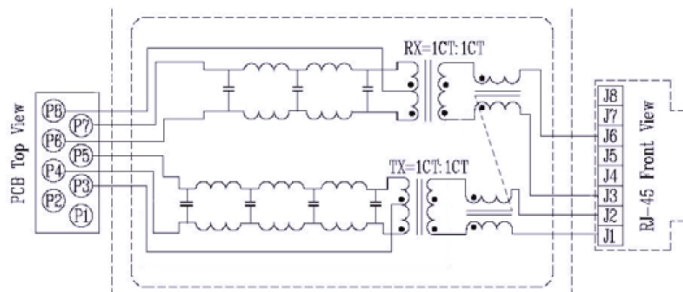
SE



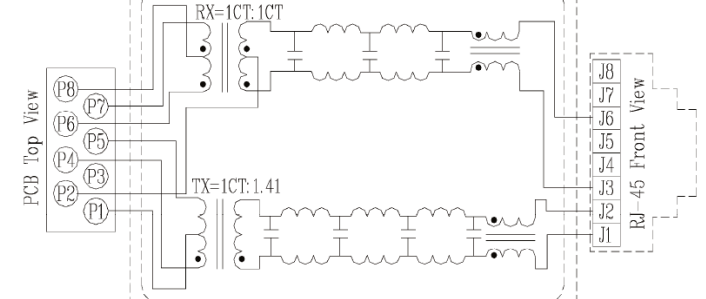
SF



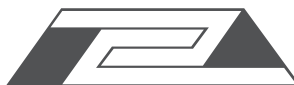
SG



SH



ABRACON IS
ISO 9001:2008
CERTIFIED



ABRACON
CORPORATION

Visit www.abracon.com for Terms & Conditions of Sale
30332 Esperanza, Rancho Santa Margarita, California 92688
tel 949-546-8000 | fax 949-546-8001 | www.abracon.com

Revised: 03.06.13

RJ45 10 Base-T Jack with Magnetic Module

ARJ11A

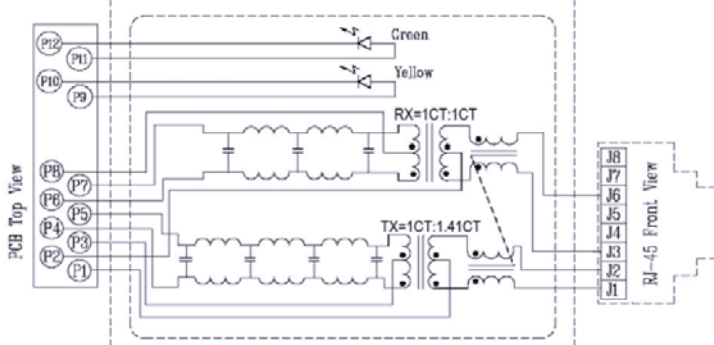
RoHS/RoHS II Compliant



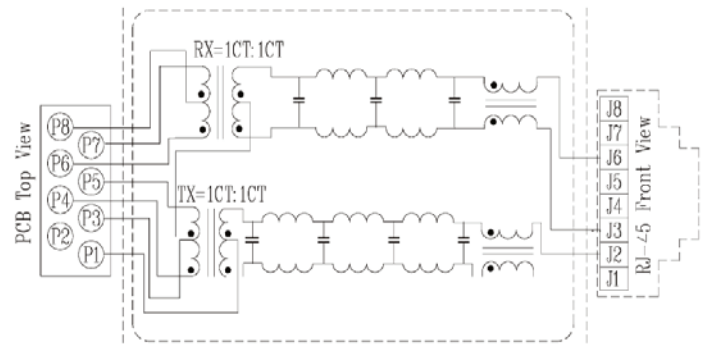
16.26 x 13.84 x 21.59mm

SCHEMATICS - continued

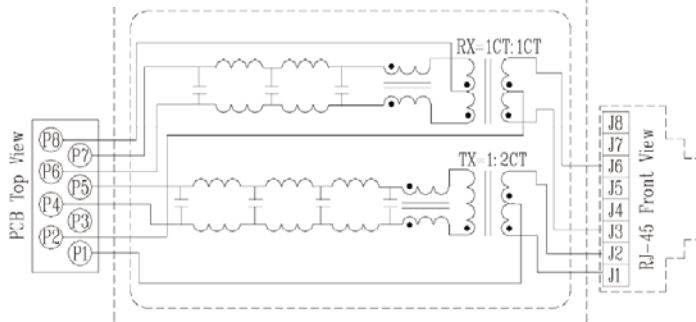
SI



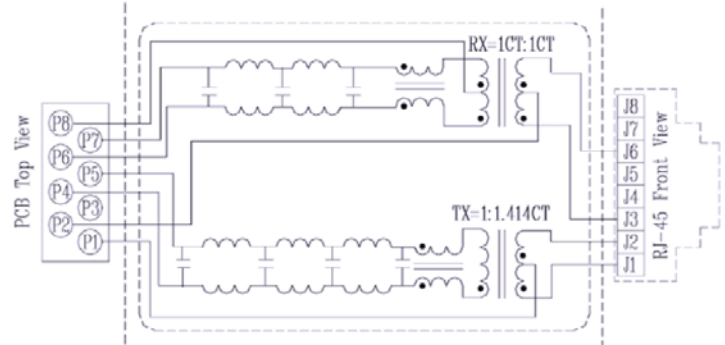
SJ



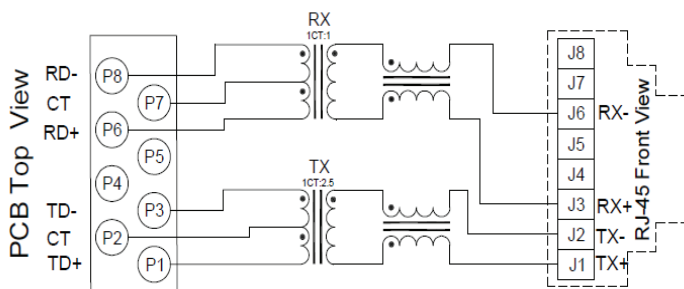
SK



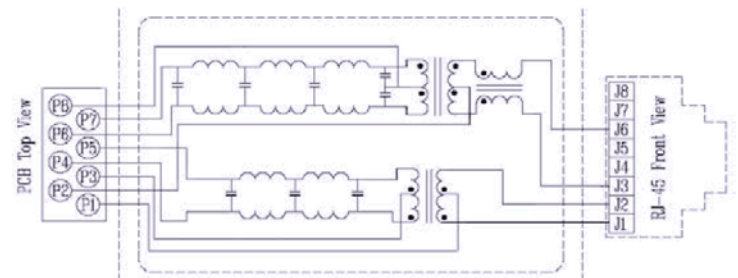
SL



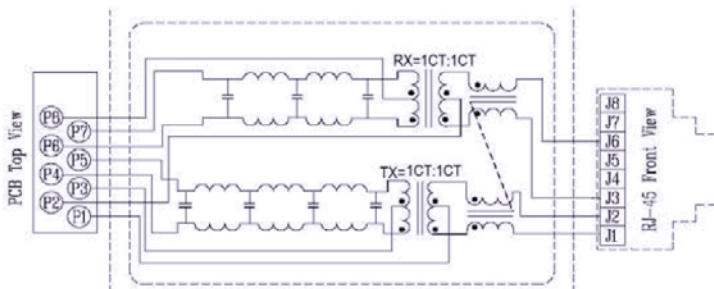
SM



SN



SO



RJ45 10 Base-T Jack with Magnetic Module

ARJ11A

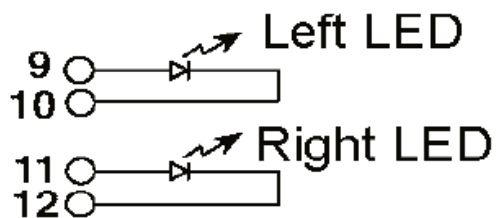
RoHS/RoHS II Compliant



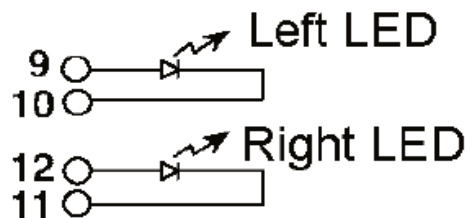
16.26 x 13.84 x 21.59mm

LED POLARITY

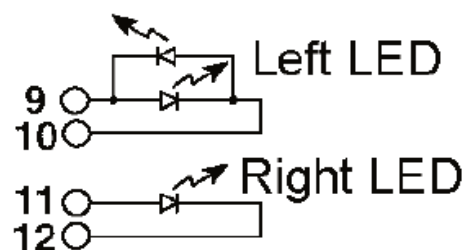
E



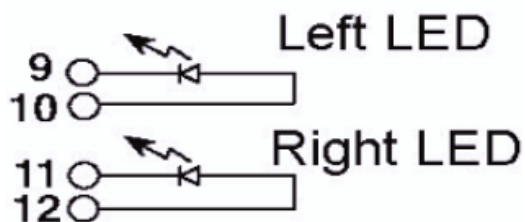
F



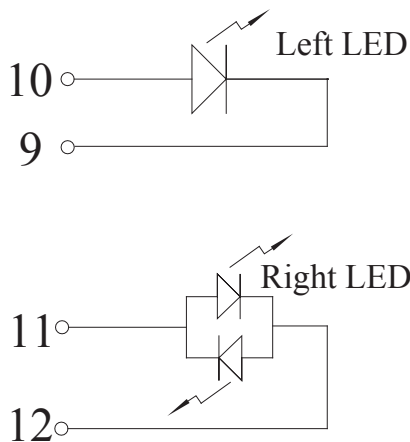
G



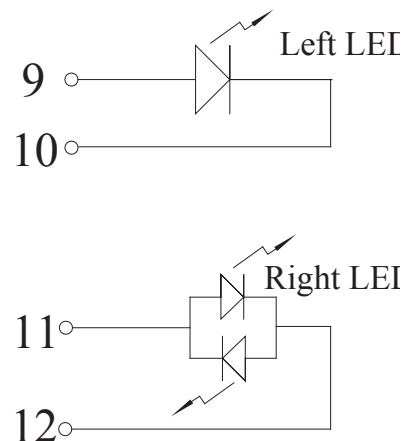
H



I



J



$V_{in}=2.1Vdc$ TYP.

2.5Vdc MAX.

RJ45 10 Base-T Jack with Magnetic Module

ARJ11A

RoHS/RoHS II Compliant

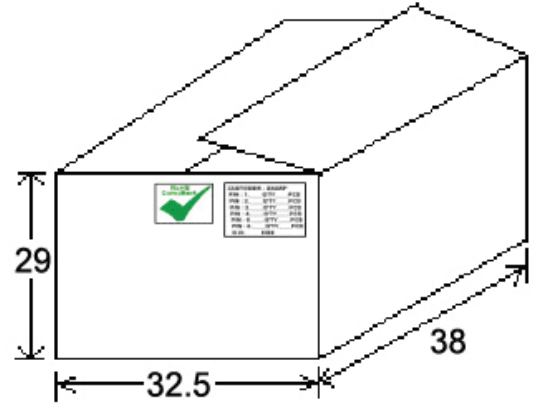
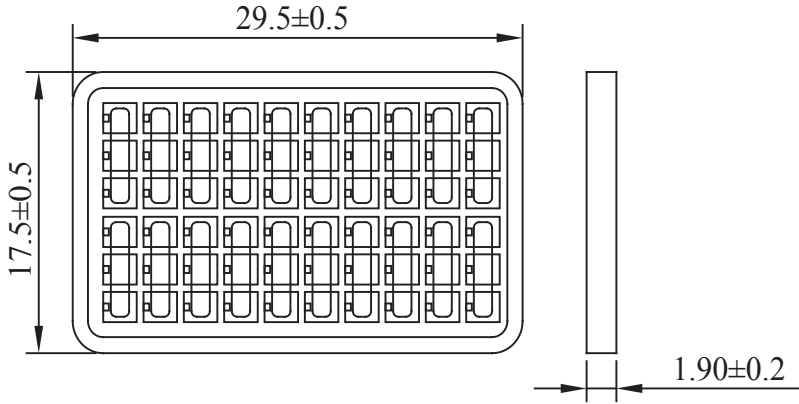


16.26 x 13.84 x 21.59mm

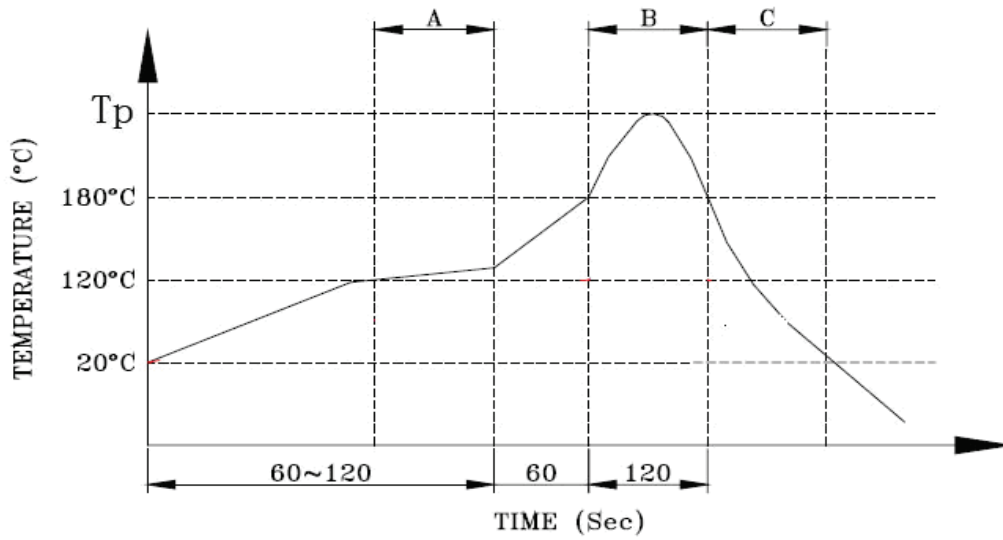
PACKING: 60pcs/tray

Packaging material: PET

Outer carton unit 1320 pcs/ 22 Travs/box



REFLOW PROFILE:



— PIN TEMPERATURE
 A. Preheating B. Soldering C. Gradual Cooling

Peak temperature(Tp) : 250± 10°C
 Peak temperature(Tp) time : 5sec max

ATTENTION: Abracon Corporation's products are COTS – Commercial-Off-The-Shelf products; suitable for Commercial, Industrial and, where designated, Automotive Applications. Abracon's products are not specifically designed for Military, Aviation, Aerospace, Life-dependant Medical applications or any application requiring high reliability where component failure could result in loss of life and/or property. For applications requiring high reliability and/or presenting an extreme operating environment, written consent and authorization from Abracon Corporation is required. Please contact Abracon Corporation for more information.

ABRACON IS
 ISO 9001:2008
 CERTIFIED



ABRACON
 CORPORATION

Visit www.abracon.com for Terms & Conditions of Sale
 30332 Esperanza, Rancho Santa Margarita, California 92688
 tel 949-546-8000 | fax 949-546-8001 | www.abracon.com

Revised: 03.06.13