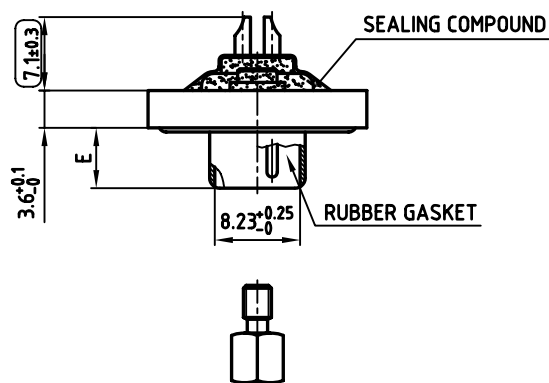
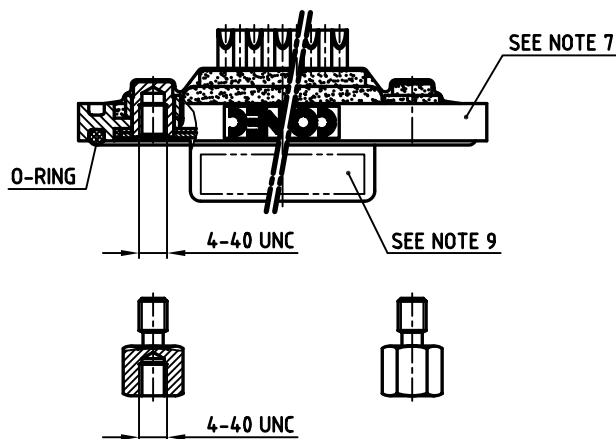
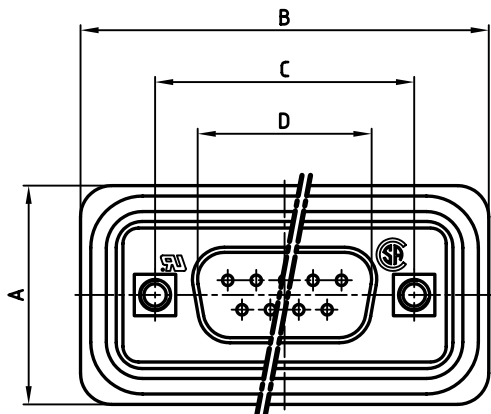


used for: D-SUB

AT ALL TIMES WATER RESISTANT CONNECTORS NOT IN USE SHOULD BE COVERED WITH A CONEC WATER RESISTANT CAP OR WATER TIGHT HOOD.

| POS. | A ^{+0.2} | B ^{+0.2} | C | D ^{+0.25} | E ^{-0.30} | Part-NO. |
|------|-------------------|-------------------|---|--------------------|--------------------|-----------------|
| 9 | 21.1 | 39.4 | 25.00 ^{+0.12} _{-0.13} | 16.79 | 5.82 | 6STD09PCM99B30X |
| 15 | 21.1 | 47.7 | 33.30 ^{+0.15} _{-0.1} | 25.12 | 5.82 | 6STD15PCM99B30X |
| 25 | 21.1 | 61.4 | 47.04 ^{+0.13} | 38.84 | 5.69 | 6STD25PCM99B30X |
| 37 | 21.1 | 77.9 | 63.50 ^{+0.13} | 55.30 | 5.69 | 6STD37PCM99B30X |



NOTES:

- METALSHELLS: COPPER ALLOY; min. 320µ" TIN
- INSULATORS: PBT GF UL 94 V-0, BLACK
- CONTACTS: COPPER ALLOY
PLATING: 30µ" HARD GOLD OVER min. 50µ" NICKEL
SOLDER CUP ACCEPTS CABLE AWG 20
- THREADED INSERT: COPPER ALLOY; min. 200µ" TIN over 80µ" NICKEL
- COLLAR: COPPER ALLOY; min. 200µ" TIN over 80µ" NICKEL
- HEXLOCKING SCREW: STAINLESS STEEL
- FRAME: ZINC DIECAST; NICKEL PLATED
- MAXIMUM TORQUE VALUE FOR THREAD: 6" LBS
- CONNECTOR IS PART MARKED: PART-NO. CONEC ABC
- = CHECK DIMENSION



| | |
|---|--------|
| APPROVAL * FREIGABE * DEBLOCAGE * AUTORIZACION * APPROVAL | |
| CUSTOMER APPROVAL DATE: | |
| NAME: | TITLE: |
| COMPANY NAME: | |
| APPROVAL * FREIGABE * DEBLOCAGE * AUTORIZACION * APPROVAL | |

THIS DRAWING MAY NOT BE COPIED OR REPRODUCED IN ANY WAY, AND MAY NOT BE PASSED ON TO A THIRD PARTY, WITHOUT WRITTEN PERMISSION. OWNERSHIP AND COPYRIGHT OF CONEC GmbH DO NOT ALTER CAD DRAWING BY HAND

| rev. | description | date | name |
|------|-------------|------|------|
| | | | |
| | | | |
| | | | |
| | | | |
| | | | |
| | | | |
| | | | |
| | | | |
| | | | |
| | | | |

| | | |
|--------------------|--------------|---|
| tolerance | dim. in mm | scale: 2:1 |
| material: | SEE NOTES | |
| 2005 date | name | title: |
| drawn 25.07. | Lehmenkühler | D-SUB MALE 9-37pos. SOLDER CUP with threaded insert and hexlocking screw |
| appd. 25.07. | Mickenbecker | |
| norm | DIN 41652 | |
| d-old | | dwg no: AutoCAD 2004 |
| CONEC | | DIN-A 3 |
| part no: SEE TABLE | | sh: 1/1 |