

TITLE
 INDUCTOR, 1000 μ H,
 0.90 ADC, BUCK

SCHOTT CORPORATION
 1000 PARKERS LAKE ROAD
 WAYZATA, MN 55391

AGENCY APPROVAL:
 N/A

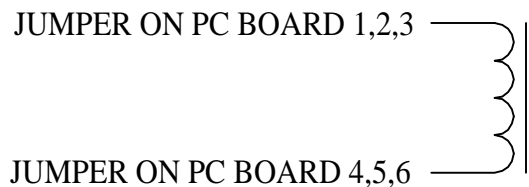
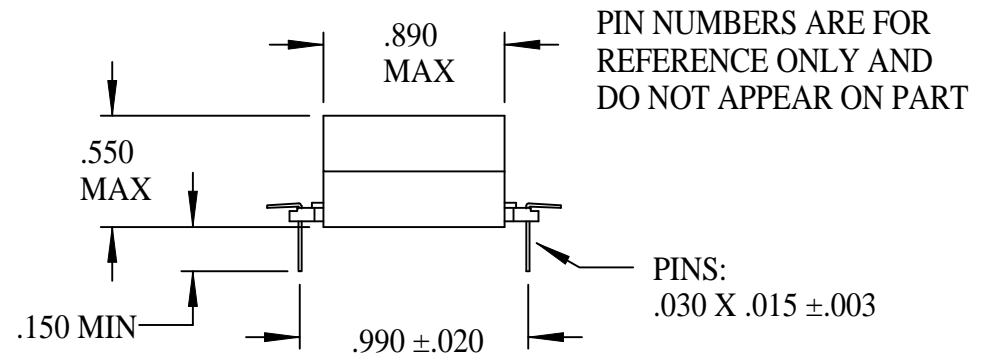
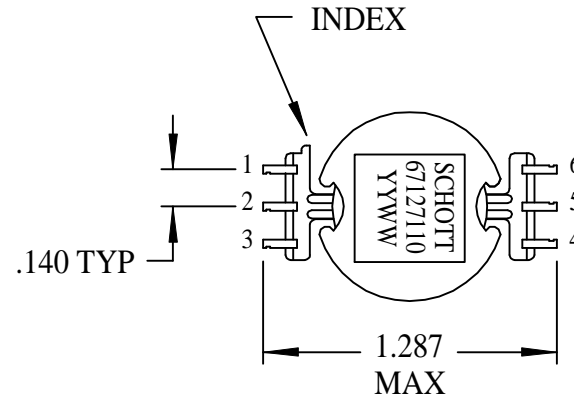
PART NUMBER
34050
 REV A PAGE 1 END

CATALOG NUMBER:
 67127110

SPECIFICATIONS

1. TEMP CLASS 130°C.
2. INDUCTANCE (1,2,3-4,5,6): 900 - 1100 μ H
 @ 0.1 Vrms, 10 KHz.
3. DC RESISTANCE (1,2,3-4,5,6): 0.250 OHM MAX.
4. HIPOT: 250 VDC.
 (2 SECONDS, 5 mA MAX)

THIS INDUCTOR IS FOR USE WITH
 NATIONAL SEMICONDUCTOR REGULATORS
 LM1575-XX/LM2575-XX
 LK1577-XX/LM2577-XX



TOLERANCES UNLESS OTHERWISE NOTED	2 PLACE	3 PLACE	ANGLE
	+ -	+ -	+ °