

4

3

2

1


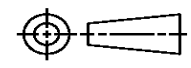
THIS DRAWING IS UNPUBLISHED. RELEASED FOR PUBLICATION  
© COPYRIGHT ALL RIGHTS RESERVED.

LOC		DIST		REVISIONS			
P	LTR	DESCRIPTION		DATE	DWN	APVD	
	N4	ECR-14-001901		01APR2014	GK	HMR	

# REPLACED BY OCEAN STYLE APPLICATOR PART NUMBER 2151698-2

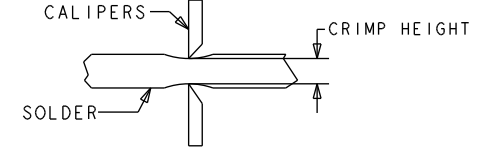
FOR REPLACEMENT PARTS FOR APPLICATOR 567041  
REFER TO ADDITIONAL PAGE(S). SPARE PARTS KIT (IF LISTED)  
WILL REMAIN AVAILABLE.

THE REPLACEMENT OCEAN STYLE APPLICATOR HAS THE  
SAME TERMINATOR/PRESS INTERFACE AS APPLICATOR  
567041

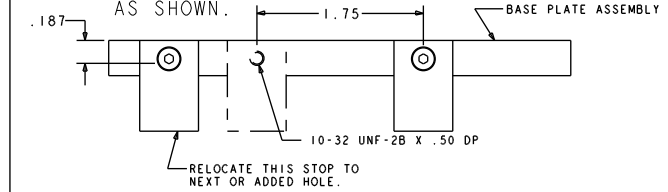
THIS DRAWING IS A CONTROLLED DOCUMENT.		DWN	GOPALAKRISHNA HV			TE Connectivity			
DIMENSIONS:		CHK	RAGHAVENDRA			NAME			
		TOLERANCES UNLESS OTHERWISE SPECIFIED:		APVD	SIDE FEED HDM APPLICATOR				
		0 PLC ±	1 PLC ±	RAGHAVENDRA		PRODUCT SPEC			
MATERIAL		2 PLC ±	3 PLC ±	APPLICATION SPEC		SIZE	CAGE CODE	DRAWING NO	RESTRICTED TO
FINISH		4 PLC ±	ANGLES ±	WEIGHT		A3		©- 567041	
				CUSTOMER ACCESSIBLE PRODUCTION DRAWING		SCALE	SHEET 1 OF 3	REV N4	

PART NUMBER	REV	FIRST USED	POWER UNIT	FEED TYPE
567041-1	M	854400-1	LEADMAKER	AIRFEED
567041-2	N	565435-5	BENCH MODEL K	AIRFEED
567041-3	M	843083-1	LEADMAKER	DOUBLE ACTING AIRFEED
567041-4	M	354500-1	BENCH MODEL G	AIRFEED
7-567041-7	L	-	SPARE TOOLING KIT	-

- △ RECOMMENDED SPARE PARTS.
- △ GREASE LIGHTLY.
- △ GUARD MUST BE IN PLACE WHEN OPERATING APPLICATOR IN A BENCH MACHINE.
- △ SEE DRAWING FOR COMPONENTS.
- △ TO CHECK CRIMP HEIGHT, CRIMP SOLDER (Ø.12 60/40 SOLID CORE) AND MEASURE AT CENTER OF SLUG.



- △ CUT TO LENGTH AT ASSEMBLY.
- △ ITEM 16 MUST BE REMOVED IF APPLICATOR IS REMOVED FROM LEADMAKER AND PLACED IN AMP-O-ELECTRIC\* TERMINATING UNIT.
- △ ITEM 76 REQUIRED WHEN APPLICATOR IS REMOVED FROM LEADMAKER AND PLACED IN AMP-O-ELECTRIC\* TERMINATING UNIT.
- △ INSTALL ITEM 75 IN CHIP RELIEF HOLE OF T-TERMINATOR UNIT BEFORE INSTALLING APPLICATOR.
- △ REMOVE WIRE FUNNEL WHEN USING THIS APPLICATOR ON AMPOMATOR\* FEED SIDE T-TERMINATOR UNIT.
- △ IT MAY BE NECESSARY TO MODIFY THE T-TERMINATING UNIT'S BASE PLATE BEFORE INSTALLING THIS APPLICATOR BY ADDING A 10-32 HOLE TO RELOCATE THE FORWARD STOP AS SHOWN.



- △ FEED ADJUSTMENT MAY BE REQUIRED WHEN SWITCHING TERMINALS
- △ GROUP I: Ø.120 MAX INSULATION  
GROUP II: Ø.200 MAX INSULATION.
- △ USE ITEMS 5 & 9 WITH GROUP I.  
USE ITEMS 10 & 20 WITH GROUP II.
- △ AMPOMATOR\* MODEL 48.
- △ LEADMAKER LM40 OR CS55.
- △ USE ITEM 46 WITH GROUP I.  
USE ITEM 47 WITH GROUP II.
- △ ITEMS 75 AND 77 MUST BE INSTALLED IN THE G-TERMINATING UNIT CHIP RELIEF HOLE BEFORE INSTALLING THE APPLICATOR.
- △ ITEM NOT SHOWN.

TERMINAL NAME: FULLY INSULATED FASTON

GROUP I	GROUP II	AMP TERMINAL - AMP CRIMP SPECS			
520080	520306				
520083	520308	PAD LTR	CRIMP HEIGHT	WIRE SIZE	Ø SOLDER
520137	520310	A	.070±.002	18	Ø.125
520272	-	B	.065±.002	20 OR 22	Ø.125
521010	-	C	-	-	-
-	-	D	-	-	-
		CRIMP	SIZE	TYPE	RANGE
		WIRE	.176	D	22-18
		INSUL	-	-	△3

WIRE STRIP LENGTH	TERM APPL SPEC	FEED	APPL INSTRUCTIONS	SET UP GAGE	LAYOUT
.265-.291	114-2123	△3	408-8051	458637-1	L1040

-	1	1	1	1	-	4-21028-0	PIN, SLOTTED SPRING .094 X .750	121
-	3	3	3	3	-	21024-5	WASHER, SPRG LOCK, REG NO 10	117
-	4	4	4	4	-	21024-2	WASHER, SPRG LOCK, REG NO 4	114
-	1	1	1	1	-	21024-8	WASHER, SPRG LOCK, REG 3/8	112
-	4	4	4	4	-	21024-4	WASHER, SPRG LOCK, REG NO 8	111
-	1	1	1	1	-	22353-8	SCR, SHLD, SLOT HD, 3/16 DIA	105
-	1	1	1	1	-	21009-2	SCR, SET, SELF LOCKING 1/4-20 X .250	103
-	2	2	2	2	-	21017-2	SCREW, DRIVE	102
-	1	1	1	1	-	461264-1	PLATE, IDENTIFICATION	100
-	2	2	2	2	-	5-21006-6	SCR, SET, CUP POINT 10-32 X .750	99
-	1	1	1	1	-	22733-8	SCR, BHSC, SELF-LOCKING, 8-32 X .375	98
-	REF	REF	REF	REF	-	2-21002-9	SCR, BTN SKT HD CAP 10-32 X .750	97
-	REF	REF	REF	REF	-	2-22733-8	SCR, BHSC, SELF-LOCKING, 1/4-20 X .625	96
-	1	1	1	1	-	2-21002-7	SCR, BTN SKT HD CAP 10-32 X .500	95
-	4	4	4	4	-	2-21002-2	SCR, BTN SKT HD CAP 8-32 X .500	94
-	-	2	-	2	-	1-21002-7	SCR, BTN SKT HD CAP 6-32 X .375	92
-	2	2	2	2	-	1-21002-3	SCR, BTN SKT HD CAP 4-40 X .250	91
-	2	2	2	2	-	2-21000-9	SCR, SKT HD CAP 8-32 X .750	87
-	1	1	1	1	-	2-22603-1	SCREW, MACH, HEX HD, 8-32 x .375	86
-	4	6	4	6	-	1-21000-4	SCR, SKT HD CAP 4-40 X .375	85
-	1	1	1	1	-	2-21000-7	SCR, SKT HD CAP 8-32 X .500	84
-	1	1	1	1	-	3-21000-4	SCR, SKT HD CAP 10-32 X .375	81
-	-	1	-	1	-	1-18023-1	SCR, SHC, M4x10	80
-	-	-	1	-	-	462992-7	GUARD ASSEMBLY	79
-	REF	-	-	-	..	679532-1	INSERT, GUARD	78
-	-	1	-	1	..	189728-1	BRACKET, SPACER	77
-	REF	REF	-	REF	..	803931-1	BRACKET, HOLD DOWN	76
-	-	1	-	1	..	568681-1	SPACER, BASE PLATE	75
-	1	1	1	1	-	690603-1	SPRING ASSIST AMP-O-MATOR APPLICATOR	74
-	1	1	1	1	-	23030-1	SCR, SKT HD CAP, S-LOCK, 6-32 X .25	73
-	1	1	1	1	-	3-21001-5	SCR, SKT HD CAP 3/8-16 X 1.000	72
-	1	1	1	1	-	459610-3	MOUNT, FEED BRACKET	71
-	-	-	1	-	-	692655-5	AIR FEED VALVE ASSEMBLY	69
-	-	-	1	-	-	461065-4	AIR FEED ASSY	68
-	-	-	REF	-	-	24042-2	VALVE, SHUT-OFF	67
-	-	-	REF	-	-	692655-6	AIR FEED VALVE ASSEMBY	66
-	1	-	1	1	-	461065-1	ASSEMBLY, AIR FEED	65

LOC	DEST	REV	DESCRIPTION	DATE	BY	CHK	APPROV
A	66	N1	ECR-07-004071	21FEB2007	BW	TM	
		N2	ECR-12-014201	08AUG2012	MY	TE	
		N3	ECR-12-014320	14AUG2012	MY	TE	

-	2	2	2	2	-	3-21000-9	SCR, SKT HD CAP 10-32 X 1.000	64
-	1	2	-	1	-	985883-2	ELBOW, MALE, PNEUMATIC PUSH-TO-CONNECT/RELEASE	63
-	1	2	-	1	-	23238-1	INSERT, COUPLING	62
-	24.00	36.00	-	24.00	IN	27319-4	TUBING, POLY-FLO, NATURAL	61
-	1	-	-	1	-	22374-7	VALVE, QUICK EXHAUST	60
-	REF	REF	REF	REF	-	454220-1	CAP, RAM	59
-	REF	REF	REF	REF	-	454485-1	HOUSING, APPL CSTG	58
-	1	-	-	1	-	22304-1	NIPPLE, HEX, PIPE FITTING	57
-	1	1	1	1	-	462427-1	FINGER, FEED	56
-	1	1	1	1	-	461062-2	FEED FINGER ASSEMBLY	53
-	-	1	-	1	-	816187-2	APPLICATOR, BASIC SUBASSEMBLY	51
-	1	-	1	-	-	816187-1	APPLICATOR, BASIC SUBASSEMBLY	50
-	1	-	1	-	-	469366-2	PLATE, REAR SHEAR	49
-	1	-	1	-	-	467590-1	HOLDER, SHEAR	48
-	1	-	1	-	-	462433-3	SUPPORT, INSULATION	47
-	1	-	1	-	-	462433-5	SUPPORT, INSULATION	46
-	1	1	1	1	-	690191-1	PLUG, NYLON	45
-	1	1	1	1	-	455673-1	RAM, SIDE FEED	44
-	1	1	1	1	-	690125-1	SHIM SUB-ASSY	43
-	1	1	1	1	-	690124-1	WASHER, RAM (.115)	42
-	1	1	1	1	-	690686-2	CRIMPER, BOLT SPECIAL	41
-	1	1	1	1	-	23241-6	BALL, STEEL	40
-	1	1	1	1	-	690170-1	SPRING, COMPRESSION	39
-	1	1	1	1	-	462426-1	DISC, SPRING	38
-	1	1	1	1	-	462425-1	WIRE DISC	37
-	8	8	8	8	-	2-22280-5	SPRING, COMPRESSION	36
-	1	1	1	1	-	690212-1	POST, RAM	35
-	REF	-	REF	-	-	455675-3	PLATE, BASE	34
-	-	REF	-	REF	-	808835-1	PLATE, BASE	33
-	1	1	1	1	-	690432-3	ADJUSTMENT SCREW	32
-	1	1	1	1	-	22480-5	WASHER, WAVE SPRING	31
-	1	1	1	1	-	455689-1	BLOCK, STRIP GUIDE ADJUST	30
-	1	1	1	1	-	684045-2	PLATE, STRIP GUIDE	29
-	2	2	2	2	-	22281-9	SPRING, COMPRESSION	27
-	1	1	1	1	-	240793-4	LEVER, DRAG RELEASE	26
-	1	1	1	1	-	240792-6	DRAG, TERMINAL	25
-	1	1	1	1	-	690438-1	FRONT STRIP GUIDE	24
-	1	1	1	1	-	684042-2	GUIDE, STRIP, FRONT	23
-	2	2	2	2	-	5-22278-1	SPRING, COMPRESSION	21
-	-	1	-	1	-	462431-6	FUNNEL, WIRE	20
-	1	1	1	1	-	690472-2	STRIPPER	19
-	1	1	1	1	-	463460-2	HOLD DOWN, TERMINAL	18
-	-	1	-	1	-	803925-1	GUIDE, CARRIER SCRAP	16
-	-	1	-	1	-	803926-1	PLATE, REAR SHEAR	15
-	-	1	-	1	-	467590-2	HOLDER, SHEAR, REAR	14
-	1	1	1	1	-	469542-3	REAR FLOATING SHEAR	13
-	1	1	1	1	-	5-22280-0	SPRING, COMPRESSION	12
-	1	1	1	1	-	1-690461-1	STOP, SHEAR	11
-	-	1	-	1	-	462843-3	TERMINAL SUPPORT	10
-	-	1	-	1	-	462843-2	TERMINAL SUPPORT	9
1	1	1	1	1	-	464291-1	ANVIL, SAND-BLASTED 22-18	8
-	1	1	1	1	-	240641-9	SPACER	7
-	1	1	1	1	-	690468-6	DEPRESSOR SHEAR, REAR	6
-	-	1	-	1	-	462431-3	WIRE FUNNEL	5
-	1	1	1	1	-	238009-3	BLOCK, FL CRIMPER SPACER	4
1	1	1	1	1	-	462432-5	STABILIZER	3
-	1	1	1	1	-	462842-1	SPACER	2
1	1	1	1	1	-	464290-1	CRIMPER, SEMI-FLAT 22-18	1

TRADEMARK - \*

THIS DRAWING IS A CONTROLLED DOCUMENT. DIMENSIONING AND TOLERANCING PER ASME Y14.5M-2009.

DIMENSIONS: IN

TOLERANCES UNLESS OTHERWISE SPECIFIED:

0 PLC	±
1 PLC	±
2 PLC	±
3 PLC	±
4 PLC	±
ANGLES	±
FINISH	±

MATERIAL: FINISH:

Customer Drawing

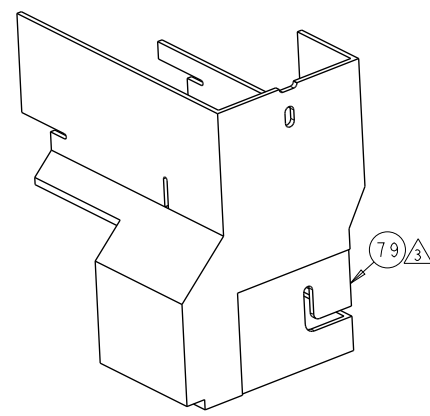
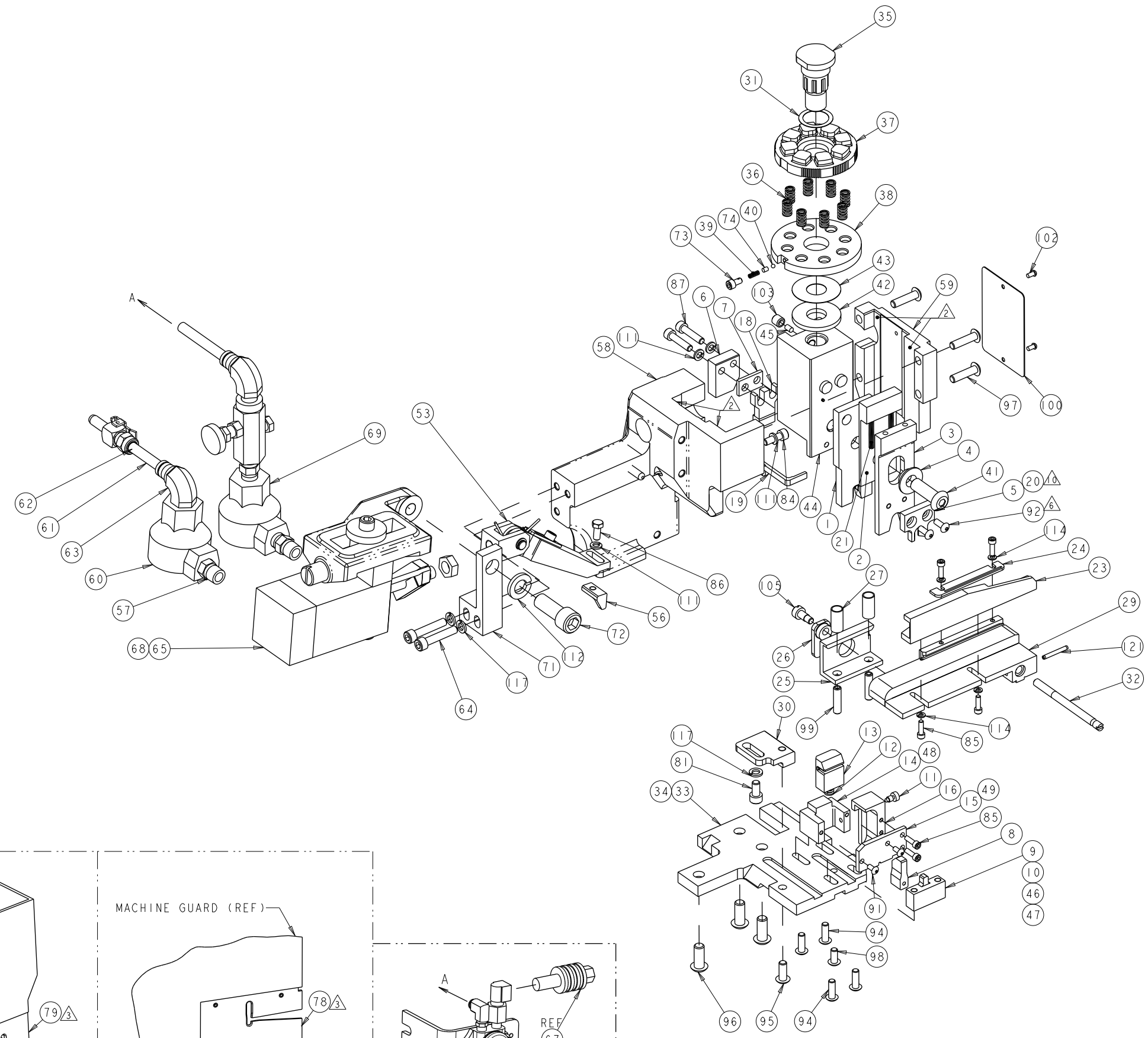
SCALE: 1:2 SHEET 1 OF 2 REV N3

APPROVED: T. ELBIN 23JAN2007

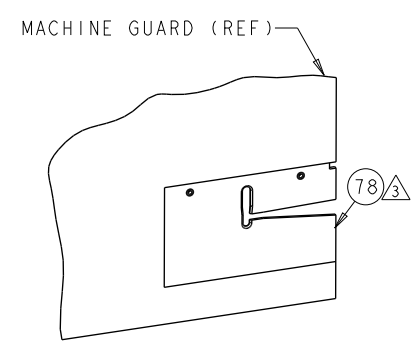
NAME: SIDE FEED HDM APPLICATOR

SIZE: A1 CAGE CODE: 00779 DRAWING NO: 567041

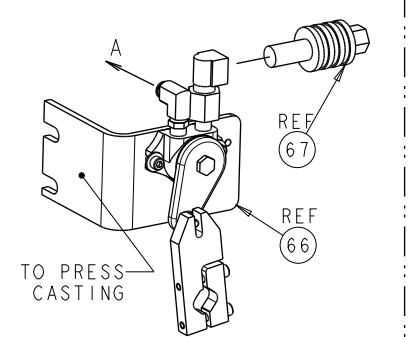
LOC		DIST		REVISIONS			
P	LYR	DESCRIPTION	DATE	OWN	APVD		
-	-	SEE SHEET 1	-	-	-	-	-



AMP-O-LECTRIC\* K TERMINATOR GUARD



G TERMINATOR GUARD



TO PRESS CASTING

THIS DRAWING IS A CONTROLLED DOCUMENT. DIMENSIONING AND TOLERANCING PER ASME Y14.5M-2009		OWN: B. WEAVER 23JAN2007	TE Connectivity
DIMENSIONS: IN		CHK: T. ELBIN 23JAN2007	
TOLERANCES UNLESS OTHERWISE SPECIFIED:		APVD: T. ELBIN 23JAN2007	NAME: SIDE FEED HDM APPLICATOR
0 PLC	±	PRODUCT SPEC	
1 PLC	±	APPLICATION SPEC	
2 PLC	±	REIGHT	
3 PLC	±	Customer Drawing	
4 PLC	±		
ANGLES	±		
MATERIAL:	FINISH:	SIZE: A1	CAGE CODE: 00779
		DRAWING NO: C=567041	RESTRICTED TO: N3
		SCALE: 3:4	SHEET: 2 OF 2