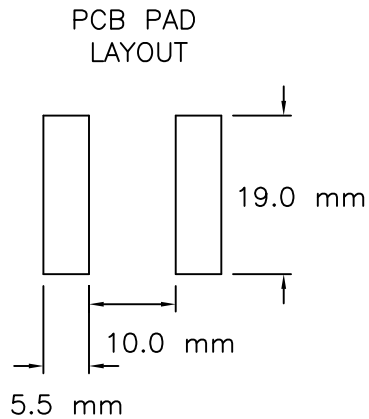
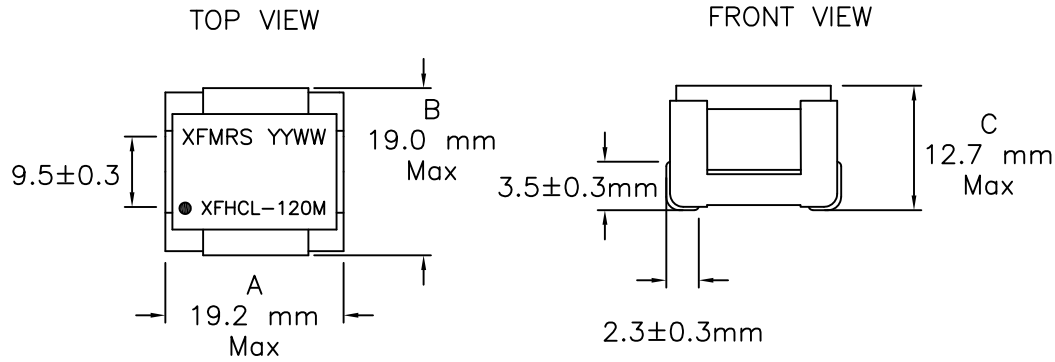


1. Mechanical Dimensions:

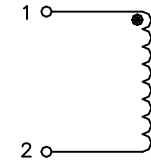


Notes:

1. Solderability: Leads shall meet MIL-STD-202G, Method 208H for solderability.
2. Flammability: UL94V-0
3. ASTM oxygen index: > 28%
4. Insulation System: Class F 155°C. UL file E151556
5. Operating Temperature Range: All listed parameters are to be within tolerance from -40°C to +85°C
6. Storage Temperature Range: -55°C to +125°C
7. Aqueous wash compatible
8. SMD Lead Coplanarity: $\pm 0.004^\circ$ (0.102mm)
9. Electrical and mechanical specifications 100% tested
10. RoHS Compliant Component
11. Recommended IR Reflow peak temp of 250C Max.

DOC. REV: A/3

2. Schematic:



3. Electrical Specifications: @25°C

INDUCTANCE: 12uH \pm 20% @300KHz 0.25V 0.0Adc

DC Res.: 0.005 OHMS Max

Isat: 5Adc (Based on 15% drop in OCL)

Irms: 7.2A (Based on 40°C Temp Rise)

XFMRs Inc www.XFMRS.com	Title: HIGH CURRENT INDUCTOR		
	UNLESS OTHERWISE SPECIFIED	P/N:XFHCL-120M	REV. A
TOLERANCES: .xx \pm 0.25	DWN.	Yuan	Mar-12-13
Dimensions in MM	CHK.	YK Liao	Mar-12-13
SHEET 1 OF 1	APP.	BW	Mar-12-13