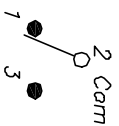


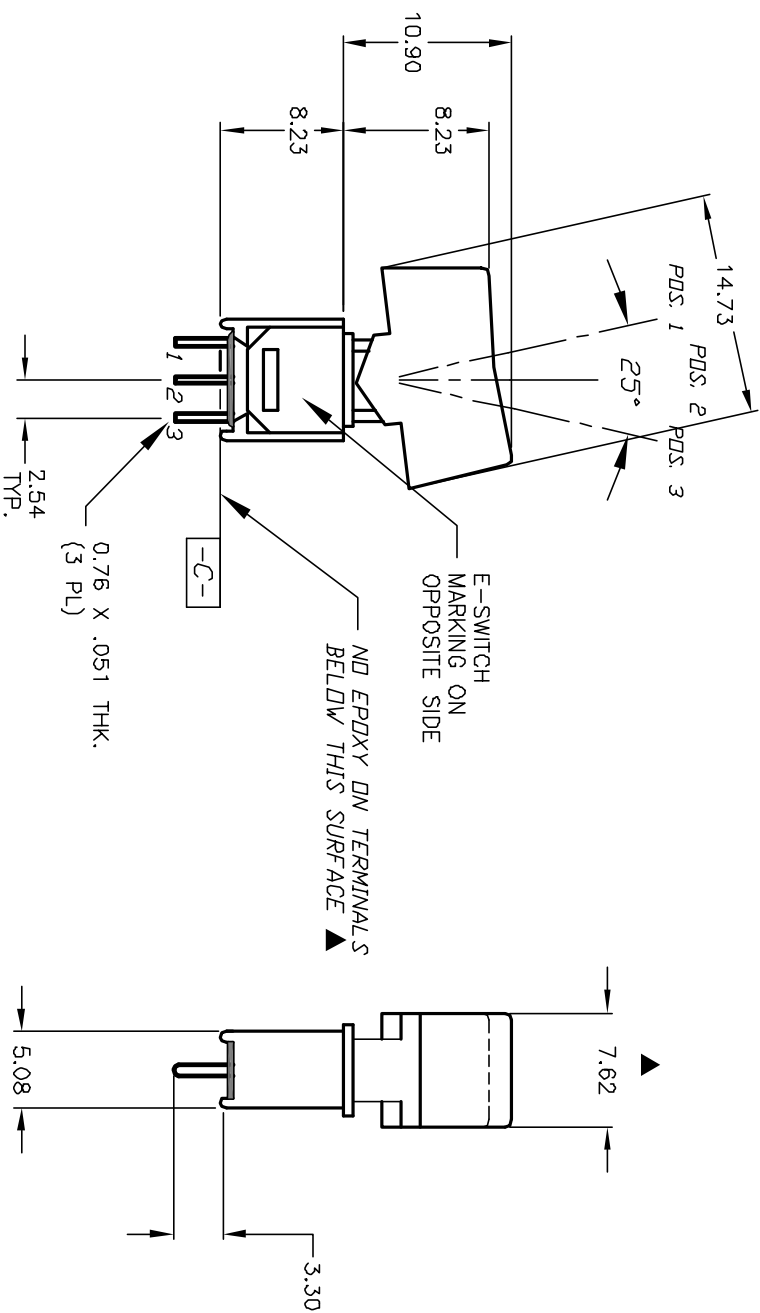
RECOMMENDED P.C.B. LAYOUT



CIRCUIT: SPDT

SWITCH FUNCTION		
POS. 1	POS. 2	POS. 3
<DND>	DIFF	<DND>
2-3	OPEN	2-1

( > ) = Momentary



NOTES:

1. ALL DIMENSIONS IN MM
2. GENERAL TOLERANCE: X.X=±0.4  
X.XX=±0.25
3. TERM. NDS. FOR REF. ONLY
4. CONTACT RATING: 0.4VA @20V AC or DC max.
5. FIXED TERMINAL & MOVING CONTACT:  
Copper alloy w/Gold plate over Nickel plate.
6. ELECTRIC LIFE: 30,000 make-and-break cycles  
at full load.
7. INSULATION RESISTANCE: 1,000 M ohm min.
8. DIELECTRIC STRENGTH: 1,000 V RMS @see level.
9. OPERATING TEMP.: -30°C to +85°C

REV.	ECN NO.	DESCRIPTION	DATE	CHKD
A	12447	RELEASED	10/3/02	CB

TITLE		SCALE	DATE	DR	DWG	REV
400 WSP-4 R1 (BLK) M2 RE (GOLD CONTACTS)		2:1	10/3/02	CB	T414003	A



THE INFORMATION CONTAINED IN THIS DOCUMENT IS PREPARED BY E-SWITCH AND IS NOT TO BE COPIED OR TRANSMITTED