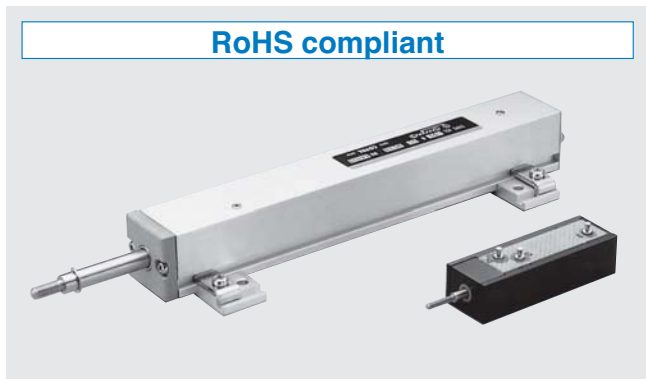


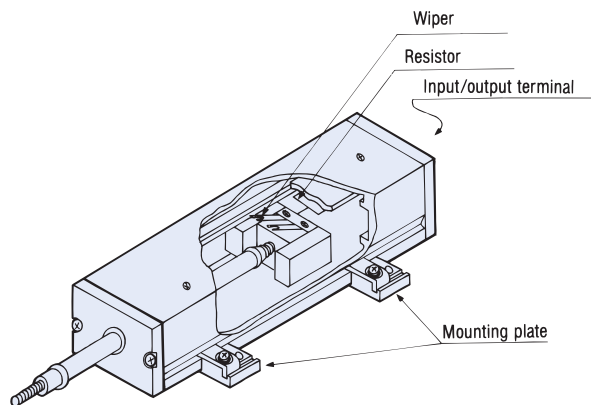
# CONDUCTIVE PLASTIC RECTILINEAR TYPE

# JCL·JCL B series

RoHS compliant



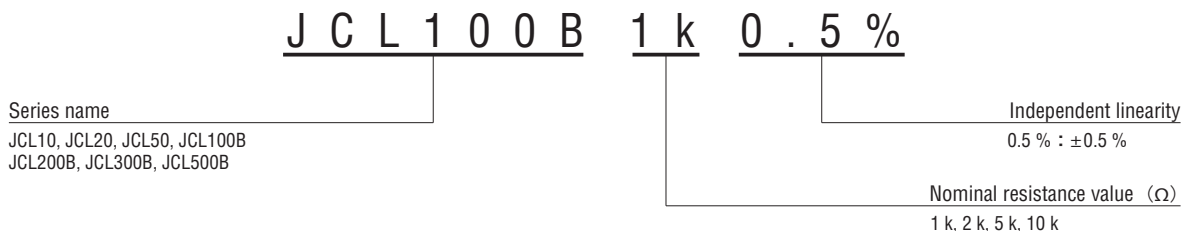
## Basic construction Conductive plastic rectilinear type



## FEATURES

- 10 ~ 500 mm
- High resolution (Essentially infinite)
- Long life
- Mounting plate seating position can be set to any positions (JCL B)
- RoHS compliant

## PART NUMBER DESIGNATION



## LIST OF PART NUMBERS

Effective electrical travel	Item	Nominal resistance value	Part number
10 mm		1 kΩ	JCL10 1 k 0.5 %
		2 kΩ	JCL10 2 k 0.5 %
		5 kΩ	JCL10 5 k 0.5 %
20 mm		1 kΩ	JCL20 1 k 0.5 %
		2 kΩ	JCL20 2 k 0.5 %
		5 kΩ	JCL20 5 k 0.5 %
		10 kΩ	JCL20 10 k 0.5 %
50 mm		1 kΩ	JCL50 1 k 0.5 %
		2 kΩ	JCL50 2 k 0.5 %
		5 kΩ	JCL50 5 k 0.5 %
		10 kΩ	JCL50 10 k 0.5 %

Effective electrical travel	Item	Nominal resistance value	Part number
100 mm		1 kΩ	JCL100B 1 k 0.5 %
		2 kΩ	JCL100B 2 k 0.5 %
		5 kΩ	JCL100B 5 k 0.5 %
		10 kΩ	JCL100B 10 k 0.5 %
200 mm		1 kΩ	JCL200B 1 k 0.5 %
		2 kΩ	JCL200B 2 k 0.5 %
		5 kΩ	JCL200B 5 k 0.5 %
		10 kΩ	JCL200B 10 k 0.5 %
300 mm		2 kΩ	JCL300B 2 k 0.5 %
		5 kΩ	JCL300B 5 k 0.5 %
		10 kΩ	JCL300B 10 k 0.5 %
500 mm		5 kΩ	JCL500B 5 k 0.5 %
		10 kΩ	JCL500B 10 k 0.5 %

※ Verify the above part numbers when placing orders.

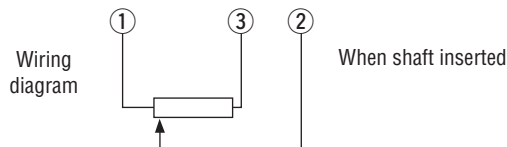
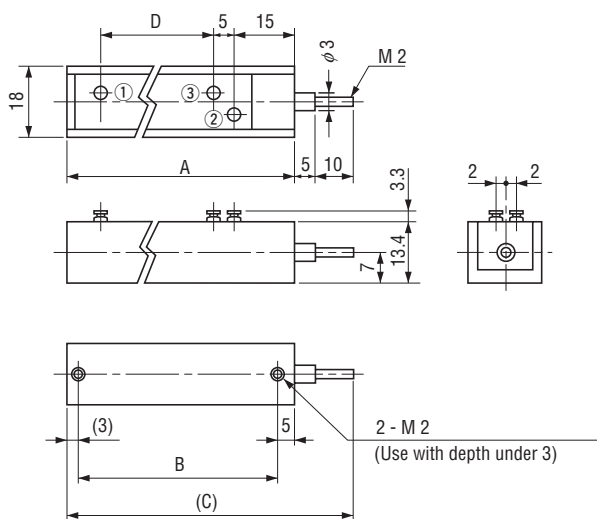


# JCL/JCL B POTENTIOMETERS

## OUTLINE DIMENSIONS

### JCL10 ~ 50

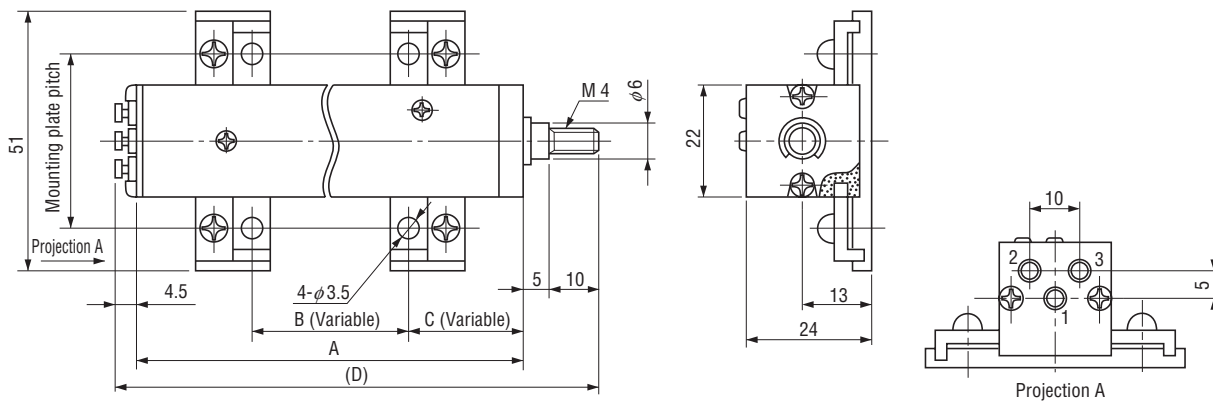
Unless otherwise specified, tolerance:  $\pm 0.5$  (Unit: mm)



### JCL10 ~ 50

Part number	Mark	A	B	(C)	D
JCL10		45	37	60	18
JCL20		55	47	70	28
JCL50		85	77	100	58

### JCL100B ~ 500B



### JCL100B ~ 500B

Part number	Mark	A	B	C	(D)
JCL100B		159	50 ~ 129	17 ~ 96	178.5
JCL200B		259	100 ~ 229	17 ~ 146	278.5
JCL300B		369	150 ~ 339	17 ~ 206	388.5
JCL500B		569	250 ~ 539	17 ~ 306	588.5

B dimensions require minimum 1/2 of effective electrical length.