

AC High Performance Fans

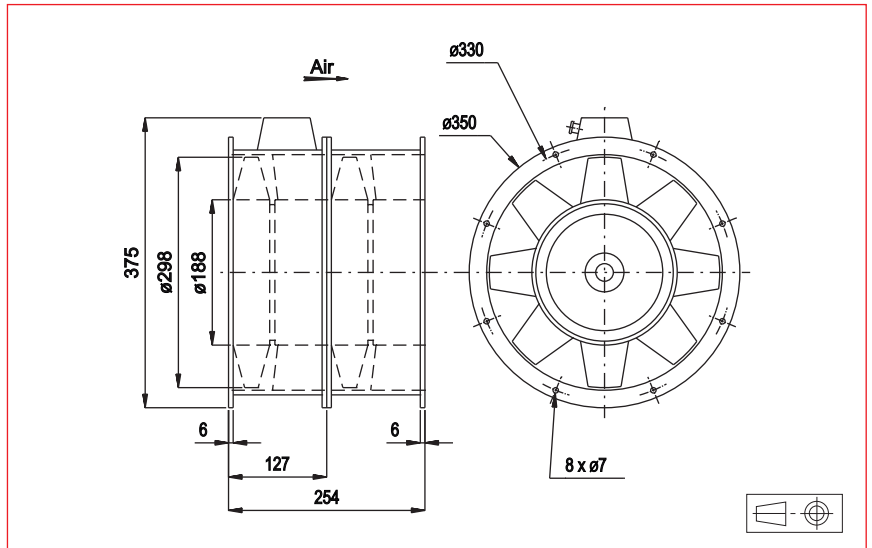


Approvals



Life expectancy

L-10 LIFE AT 40°C:
25 000 hours

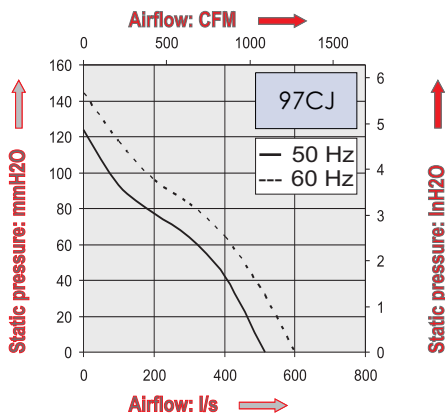


AC Motor

Housing material: aluminium
Impeller material: aluminium
Weight: 17 kg
Bearing system: ball bearings

Available with :

- Safety switch



Part Number	Nominal voltage	Airflow	Noise level	Nominal speed	Frequency	Phases	Capacitor (not included)	Input power	Nominal Current	Starting Current	Connection type		Operating temperature	
	V	l/s	dB(A)	RPM	Hz		µF	W	mA	mA	Leads	Terminals	Min.°C	Max.°C
97CJ116DC13	220	514	81	2850	50	3		306	1450	6800		X	-10	70
	380	514	81	2850	50	3		306	850	4000		X	-10	70
	220	600	84	3300	60	3		344	1100	6000		X	-10	70
	380	600	84	3300	60	3		344	650	3500		X	-10	70

Additional versions:
Salt spray protected - Shock and vibration protected - Marine specifications
Wide temperature range - Other voltages (consult factory)

