

International
IR Rectifier
**RADIATION HARDENED
 POWER MOSFET
 SURFACE MOUNT (SMD-0.5)**

PD-97197C

**IRHNJ67234
 JANSR2N7593U3
 250V, N-CHANNEL
 REF: MIL-PRF-19500/746**



Product Summary

| Part Number | Radiation Level | RDS(on) | ID | QPL Part Number |
|-------------|-----------------|---------|-------|-----------------|
| IRHNJ67234 | 100K Rads (Si) | 0.21Ω | 12.4A | JANSR2N7593U3 |
| IRHNJ63234 | 300K Rads (Si) | 0.21Ω | 12.4A | JANSF2N7593U3 |



International Rectifier's R6™ technology provides superior power MOSFETs for space applications. These devices have improved immunity to Single Event Effect (SEE) and have been characterized for useful performance with Linear Energy Transfer (LET) up to 90MeV/(mg/cm²). Their combination of very low RDS(on) and faster switching times reduces power loss and increases power density in today's high speed switching applications such as DC-DC converters and motor controllers. These devices retain all of the well established advantages of MOSFETs such as voltage control, ease of paralleling and temperature stability of electrical parameters.

Features:

- Low RDS(on)
- Fast Switching
- Single Event Effect (SEE) Hardened
- Low Total Gate Charge
- Simple Drive Requirements
- Ease of Paralleling
- Hermetically Sealed
- Surface Mount
- Ceramic Package
- Light Weight
- ESD Rating: Class 2 per MIL-STD-750, Method 1020

Absolute Maximum Ratings

Pre-Irradiation

| | Parameter | | Units |
|----------------------------|---------------------------------|---------------|-------|
| ID @ VGS = 12V, TC = 25°C | Continuous Drain Current | 12.4 | A |
| ID @ VGS = 12V, TC = 100°C | Continuous Drain Current | 7.8 | |
| IDM | Pulsed Drain Current ① | 49.6 | |
| PD @ TC = 25°C | Max. Power Dissipation | 75 | W |
| | Linear Derating Factor | 0.6 | W/°C |
| VGS | Gate-to-Source Voltage | ±20 | V |
| EAS | Single Pulse Avalanche Energy ② | 56 | mJ |
| IAR | Avalanche Current ① | 12.4 | A |
| EAR | Repetitive Avalanche Energy ① | 7.5 | mJ |
| dv/dt | Peak Diode Recovery dv/dt ③ | 5.5 | V/ns |
| TJ | Operating Junction | -55 to 150 | °C |
| TSTG | Storage Temperature Range | | |
| | Pckg. Mounting Surface Temp. | 300 (for 5s) | |
| | Weight | 1.0 (Typical) | |

For footnotes refer to the last page

www.irf.com

Electrical Characteristics @ T_J = 25°C (Unless Otherwise Specified)

| | Parameter | Min | Typ | Max | Units | Test Conditions |
|---------------------------------|--|-----|-------|------|-------|--|
| BVDSS | Drain-to-Source Breakdown Voltage | 250 | — | — | V | V _{GS} = 0V, I _D = 1.0mA |
| ΔBVDSS/ΔT _J | Temperature Coefficient of Breakdown Voltage | — | 0.24 | — | V/°C | Reference to 25°C, I _D = 1.0mA |
| RDS(on) | Static Drain-to-Source On-State Resistance | — | — | 0.21 | Ω | V _{GS} = 12V, I _D = 7.8A ④ |
| VGS(th) | Gate Threshold Voltage | 2.0 | — | 4.0 | V | V _{DS} = V _{GS} , I _D = 1.0mA |
| ΔVGS(th)/ΔT _J | Gate Threshold Voltage Coefficient | — | -9.16 | — | mV/°C | |
| gfs | Forward Transconductance | 8.8 | — | — | S | V _{DS} = 15V, I _{DS} = 7.8A ④ |
| I _{DSS} | Zero Gate Voltage Drain Current | — | — | 10 | μA | V _{DS} = 200V, V _{GS} = 0V |
| | | — | — | 25 | | V _{DS} = 200V, V _{GS} = 0V, T _J = 125°C |
| I _{GSS} | Gate-to-Source Leakage Forward | — | — | 100 | nA | V _{GS} = 20V |
| I _{GSS} | Gate-to-Source Leakage Reverse | — | — | -100 | | V _{GS} = -20V |
| Q _g | Total Gate Charge | — | — | 50 | nC | V _{GS} = 12V, I _D = 12.4A |
| Q _{gs} | Gate-to-Source Charge | — | — | 15 | | V _{DS} = 125V |
| Q _{gd} | Gate-to-Drain ('Miller') Charge | — | — | 20 | | |
| t _{d(on)} | Turn-On Delay Time | — | — | 25 | | |
| t _r | Rise Time | — | — | 30 | ns | V _{DD} = 125V, I _D = 12.4A, V _{GS} = 12V, R _G = 7.5Ω |
| t _{d(off)} | Turn-Off Delay Time | — | — | 60 | | |
| t _f | Fall Time | — | — | 30 | | |
| L _S + L _D | Total Inductance | — | 4.0 | — | nH | Measured from the center of drain pad to center of source pad |
| C _{iss} | Input Capacitance | — | 1445 | — | pF | V _{GS} = 0V, V _{DS} = 25V |
| C _{oss} | Output Capacitance | — | 187 | — | | f = 1.0MHz |
| C _{rss} | Reverse Transfer Capacitance | — | 2.4 | — | | |
| R _g | Gate Resistance | — | 1.2 | — | Ω | f = 1.0MHz, open drain |

Source-Drain Diode Ratings and Characteristics

| | Parameter | Min | Typ | Max | Units | Test Conditions |
|-----------------|--|--|-----|------|-------|---|
| I _S | Continuous Source Current (Body Diode) | — | — | 12.4 | A | |
| I _{SM} | Pulse Source Current (Body Diode) ① | — | — | 49.6 | | |
| V _{SD} | Diode Forward Voltage | — | — | 1.2 | V | T _J = 25°C, I _S = 12.4A, V _{GS} = 0V ④ |
| t _{rr} | Reverse Recovery Time | — | — | 350 | ns | T _J = 25°C, I _F = 12.4, di/dt ≤ 100A/μs |
| Q _{RR} | Reverse Recovery Charge | — | — | 5.15 | μC | V _{DD} ≤ 50V ④ |
| t _{on} | Forward Turn-On Time | Intrinsic turn-on time is negligible. Turn-on speed is substantially controlled by L _S + L _D . | | | | |

* Current is limited by package

Thermal Resistance

| | Parameter | Min | Typ | Max | Units | Test Conditions |
|-------------------|------------------|-----|-----|------|-------|-----------------|
| R _{thJC} | Junction-to-Case | — | — | 1.67 | °C/W | |

Note: Corresponding Spice and Saber models are available on International Rectifier Web site.

For footnotes refer to the last page

Radiation Characteristics

IRHNJ67234, JANSR2N7593U3

International Rectifier Radiation Hardened MOSFETs are tested to verify their radiation hardness capability. The hardness assurance program at International Rectifier is comprised of two radiation environments. Every manufacturing lot is tested for total ionizing dose (per notes 5 and 6) using the TO-3 package. Both pre- and post-irradiation performance are tested and specified using the same drive circuitry and test conditions in order to provide a direct comparison.

Table 1. Electrical Characteristics @ Tj = 25°C, Post Total Dose Irradiation ⑤⑥

| | Parameter | Up to 300K Rads (Si) ¹ | | Units | Test Conditions |
|---------------------|--|-----------------------------------|------|-------|--|
| | | Min | Max | | |
| BV _{DSS} | Drain-to-Source Breakdown Voltage | 250 | — | V | V _{GS} = 0V, I _D = 1.0mA |
| V _{GS(th)} | Gate Threshold Voltage | 2.0 | 4.0 | | V _{GS} = V _{DS} , I _D = 1.0mA |
| I _{GSS} | Gate-to-Source Leakage Forward | — | 100 | nA | V _{GS} = 20V |
| I _{GSS} | Gate-to-Source Leakage Reverse | — | -100 | | V _{GS} = -20V |
| I _{DSS} | Zero Gate Voltage Drain Current | — | 10 | μA | V _{DS} = 200V, V _{GS} = 0V |
| R _{DS(on)} | Static Drain-to-Source On-State Resistance (TO-3) ④ | — | 0.21 | Ω | V _{GS} = 12V, I _D = 7.8A |
| R _{DS(on)} | Static Drain-to-Source On-State Resistance (SMD-0.5) ④ | — | 0.21 | Ω | V _{GS} = 12V, I _D = 7.8A |
| V _{SD} | Diode Forward Voltage ④ | — | 1.2 | V | V _{GS} = 0V, I _D = 12.4A |

1. Part numbers IRHNJ67234 (JANSR2N7593U3) and IRHNJ63234 (JANSF2N7593U3)

International Rectifier radiation hardened MOSFETs have been characterized in heavy ion environment for Single Event Effects (SEE). Single Event Effects characterization is illustrated in Fig. a and Table 2.

Table 2. Typical Single Event Effect Safe Operating Area

| LET (MeV/(mg/cm ²)) | Energy (MeV) | Range (μm) | VDS (V) | | | | |
|------------------------------------|-----------------|---------------|-------------|--------------|---------------|---------------|---------------|
| | | | @VGS= 0V | @VGS= -5V | @VGS= -10V | @VGS= -15V | @VGS= -20V |
| 44 ± 5% | 1350 ± 5% | 125 ± 10% | 250 | 250 | 250 | 250 | 40 |
| 61 ± 5% | 825 ± 5% | 66 ± 7.5% | 250 | 250 | 250 | 50 | - |
| 90 ± 5% | 1470 ± 5% | 80 ± 5% | 75 | 75 | - | - | - |

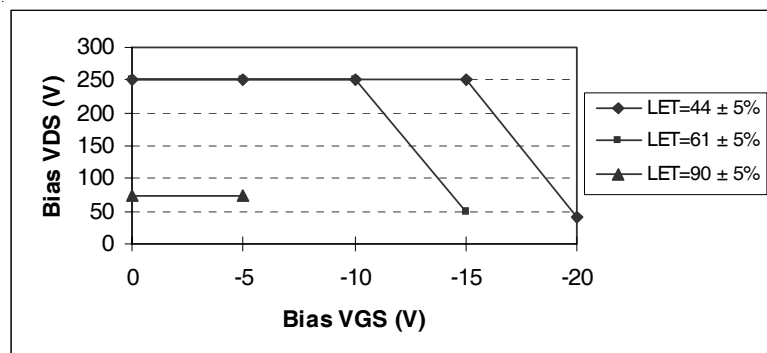


Fig a. Typical Single Event Effect, Safe Operating Area

For footnotes refer to the last page

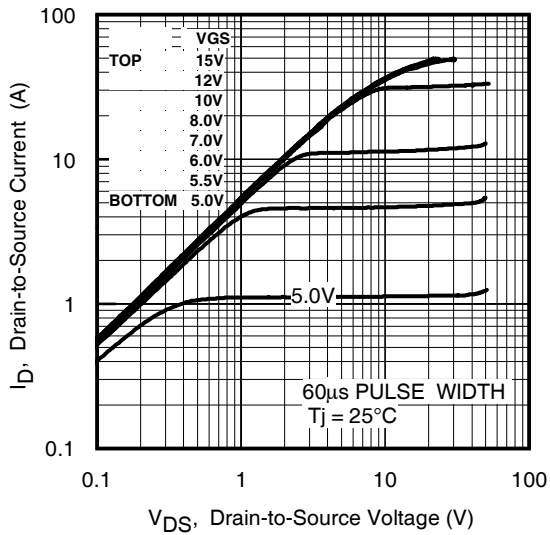


Fig 1. Typical Output Characteristics

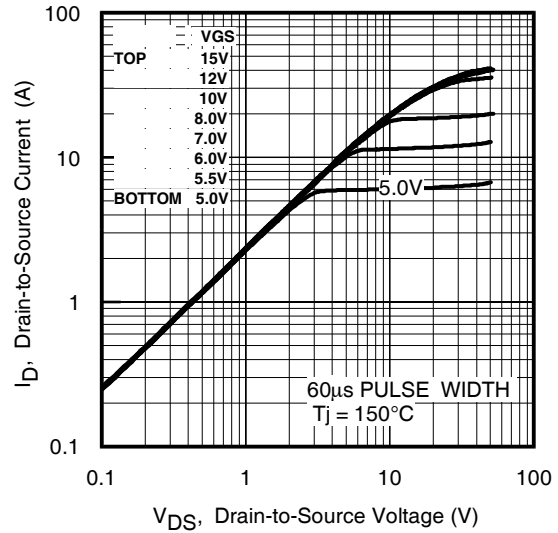


Fig 2. Typical Output Characteristics

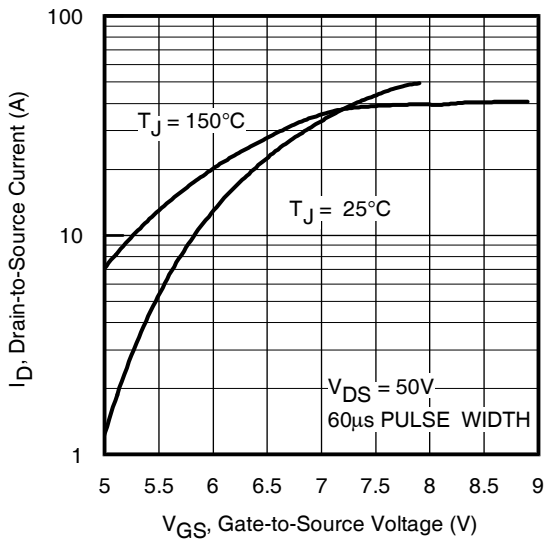


Fig 3. Typical Transfer Characteristics

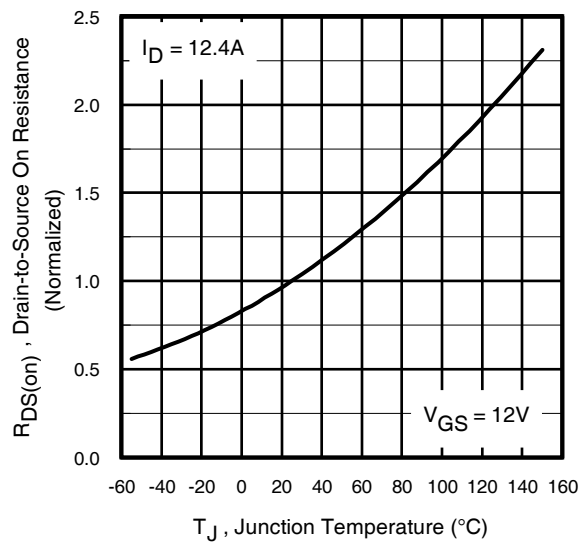


Fig 4. Normalized On-Resistance Vs. Temperature

Pre-Irradiation

IRHNJ67234, JANSR2N7593U3

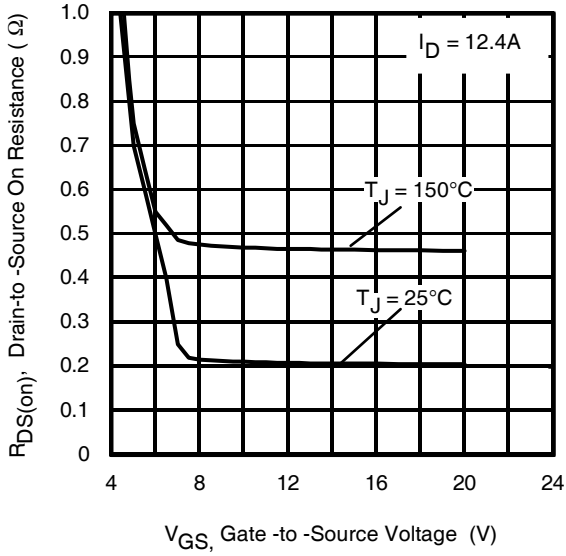


Fig 5. Typical On-Resistance Vs Gate Voltage

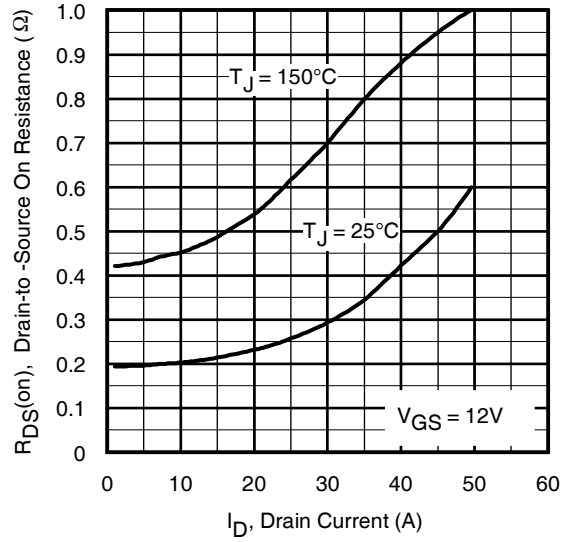


Fig 6. Typical On-Resistance Vs Drain Current

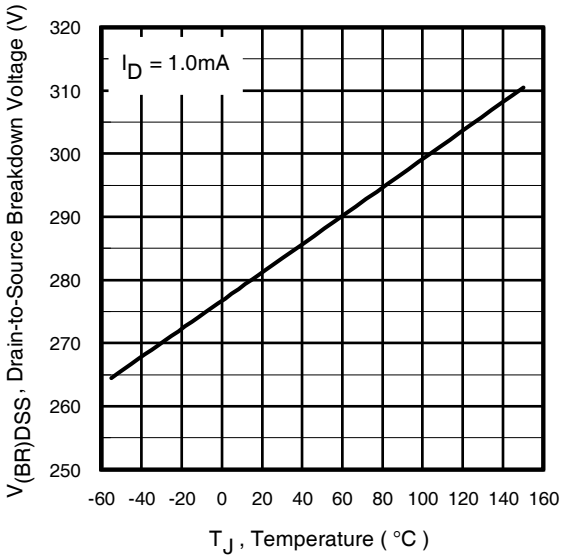


Fig 7. Typical Drain-to-Source Breakdown Voltage Vs Temperature

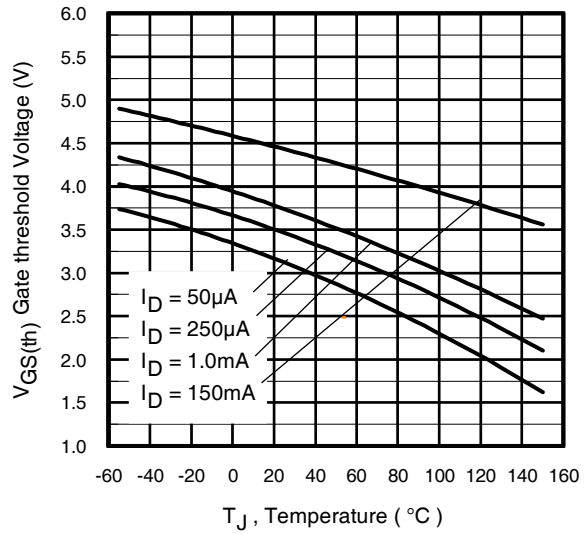


Fig 8. Typical Threshold Voltage Vs Temperature

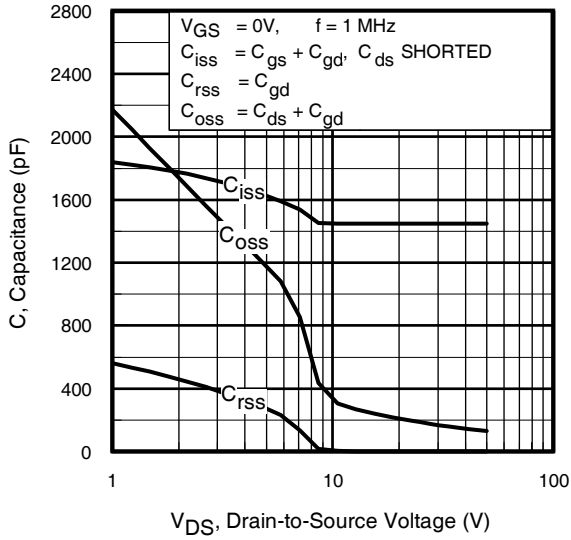


Fig 9. Typical Capacitance Vs. Drain-to-Source Voltage

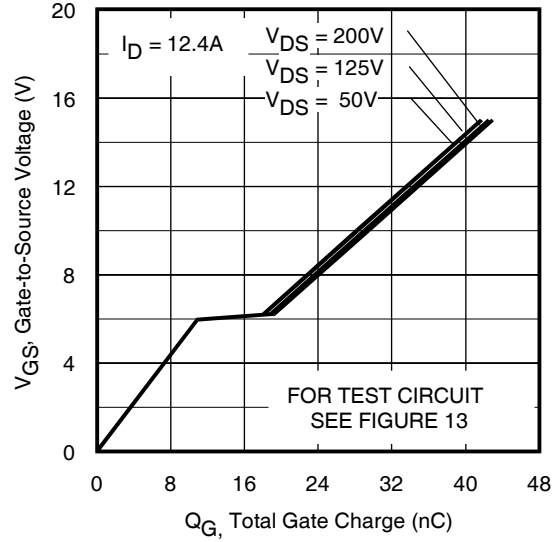


Fig 10. Typical Gate Charge Vs. Gate-to-Source Voltage

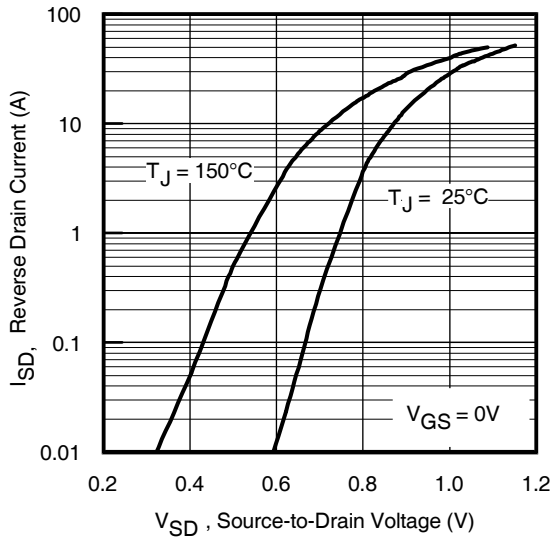


Fig 11. Typical Source-Drain Diode Forward Voltage

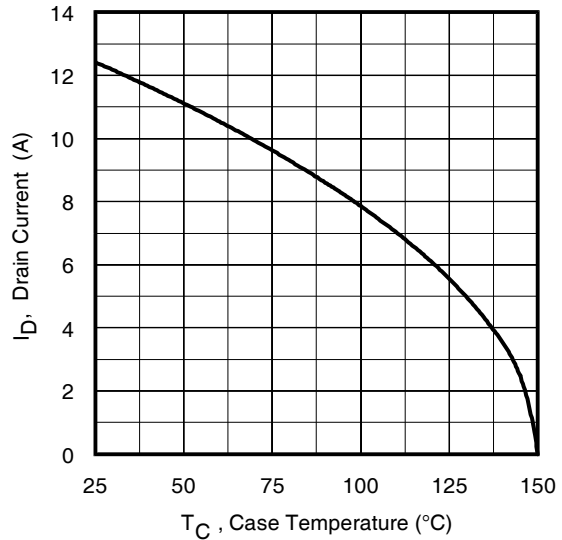


Fig 12. Maximum Drain Current Vs. Case Temperature

Pre-Irradiation

IRHNJ67234, JANSR2N7593U3

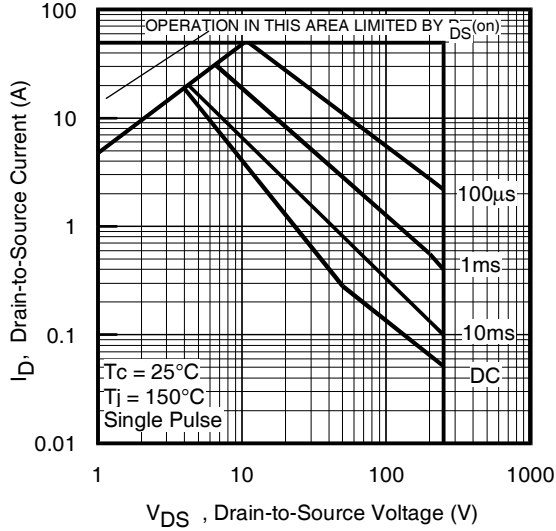


Fig 13. Maximum Safe Operating Area

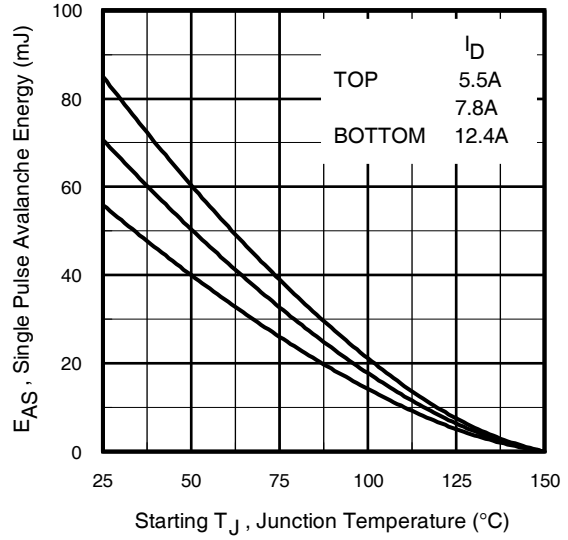


Fig 14. Maximum Avalanche Energy Vs. Drain Current

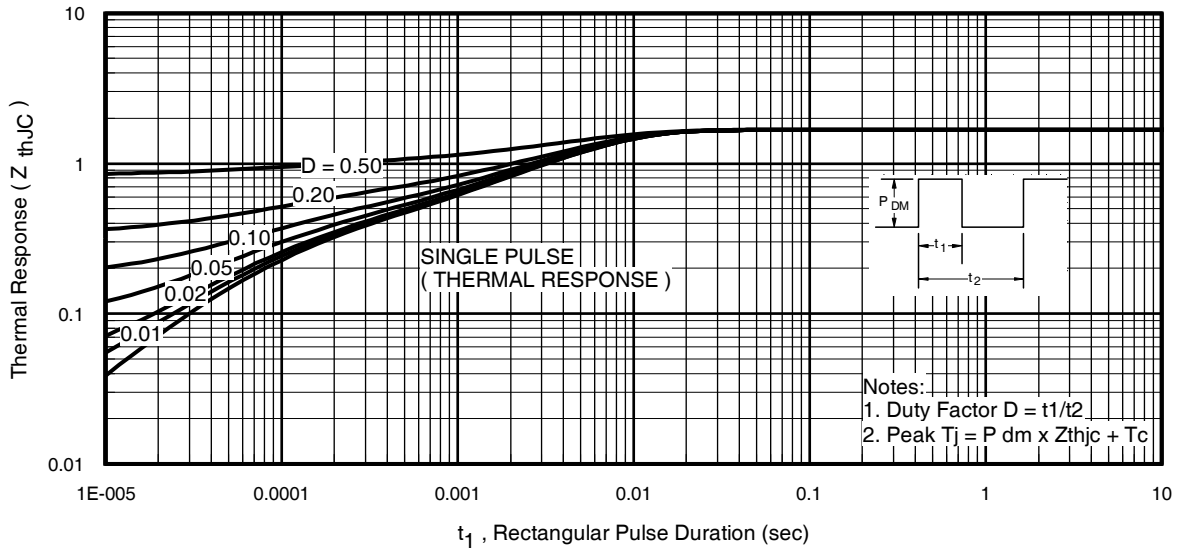


Fig 15. Maximum Effective Transient Thermal Impedance, Junction-to-Case

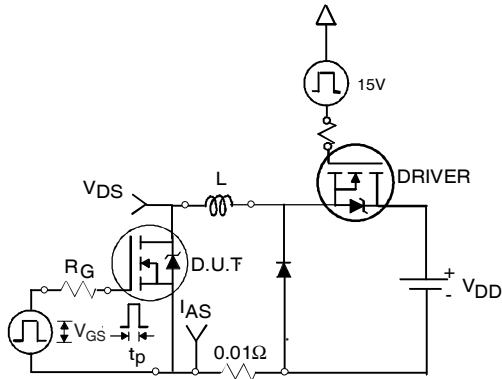


Fig 16a. Unclamped Inductive Test Circuit

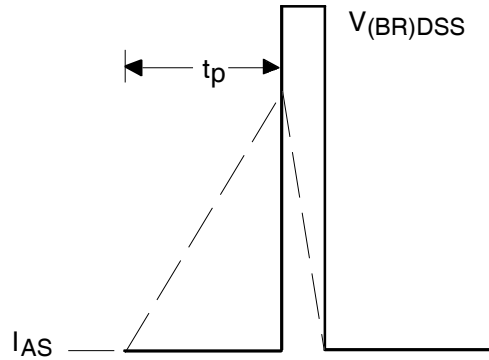


Fig 16b. Unclamped Inductive Waveforms

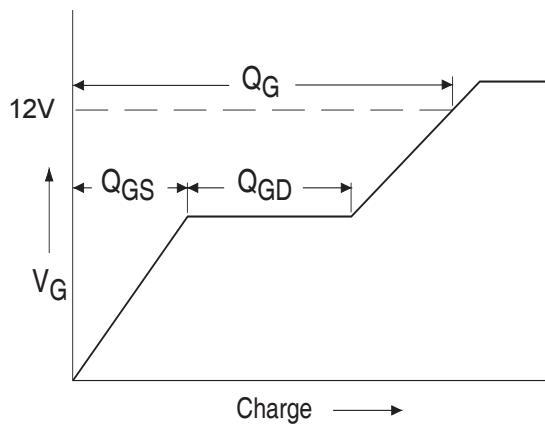


Fig 17a. Basic Gate Charge Waveform

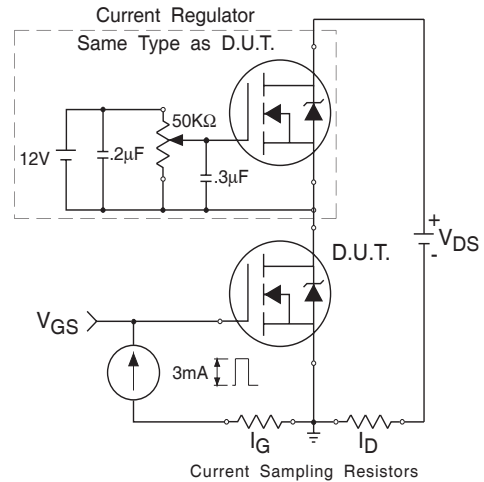


Fig 17b. Gate Charge Test Circuit

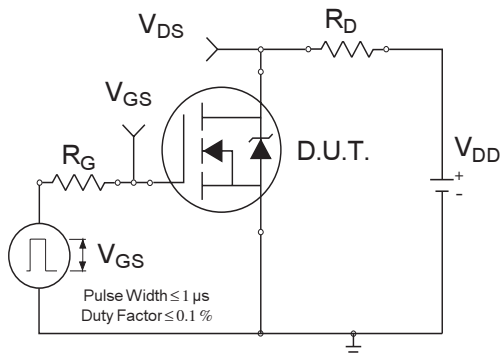


Fig 18a. Switching Time Test Circuit

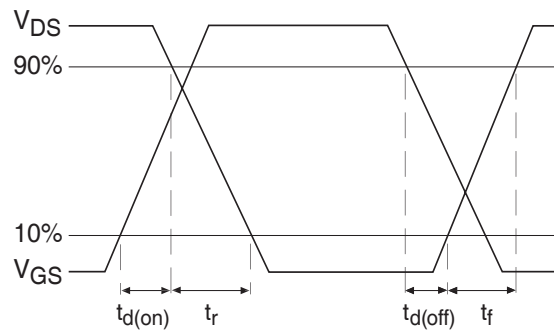


Fig 18b. Switching Time Waveforms

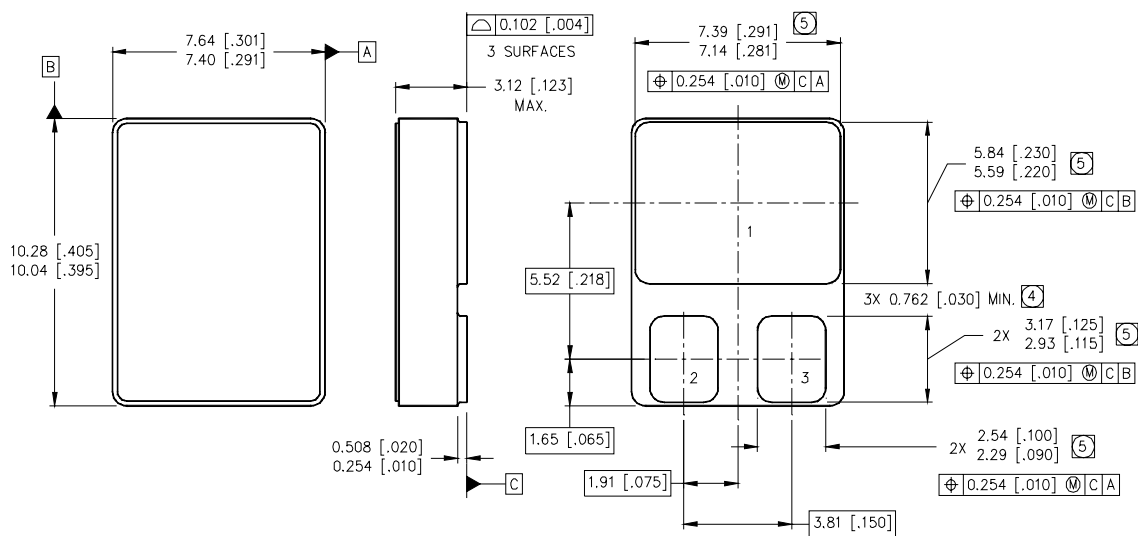
Pre-Irradiation

IRHNJ67234, JANSR2N7593U3

Footnotes:

- ① Repetitive Rating; Pulse width limited by maximum junction temperature.
- ② $V_{DD} = 25V$, starting $T_J = 25^\circ C$, $L = 0.73mH$
Peak $I_L = 12.4A$, $V_{GS} = 12V$
- ③ $I_{SD} \leq 12.4A$, $di/dt \leq 660A/\mu s$,
 $V_{DD} \leq 250V$, $T_J \leq 150^\circ C$
- ④ Pulse width $\leq 300 \mu s$; Duty Cycle $\leq 2\%$
- ⑤ **Total Dose Irradiation with V_{GS} Bias.**
12 volt V_{GS} applied and $V_{DS} = 0$ during irradiation per MIL-STD-750, method 1019, condition A.
- ⑥ **Total Dose Irradiation with V_{DS} Bias.**
200 volt V_{DS} applied and $V_{GS} = 0$ during irradiation per MIL-STD-750, method 1019, condition A.

Case Outline and Dimensions — SMD-0.5



NOTES:

1. DIMENSIONING & TOLERANCING PER ASME Y14.5M-1994.
2. CONTROLLING DIMENSION: INCH.
3. DIMENSIONS ARE SHOWN IN MILLIMETERS [INCHES].

- ④ DIMENSION INCLUDES METALLIZATION FLASH.
- ⑤ DIMENSION DOES NOT INCLUDE METALLIZATION FLASH.

PAD ASSIGNMENTS

- 1 = DRAIN
- 2 = GATE
- 3 = SOURCE

International
IOR Rectifier

IR WORLD HEADQUARTERS: 101 N. Sepulveda Blvd., El Segundo, California 90245, USA Tel: (310) 252-7105

IR LEOMINSTER : 205 Crawford St., Leominster, Massachusetts 01453, USA Tel: (978) 534-5776

TAC Fax: (310) 252-7903

Visit us at www.irf.com for sales contact information.

Data and specifications subject to change without notice. 04/2014