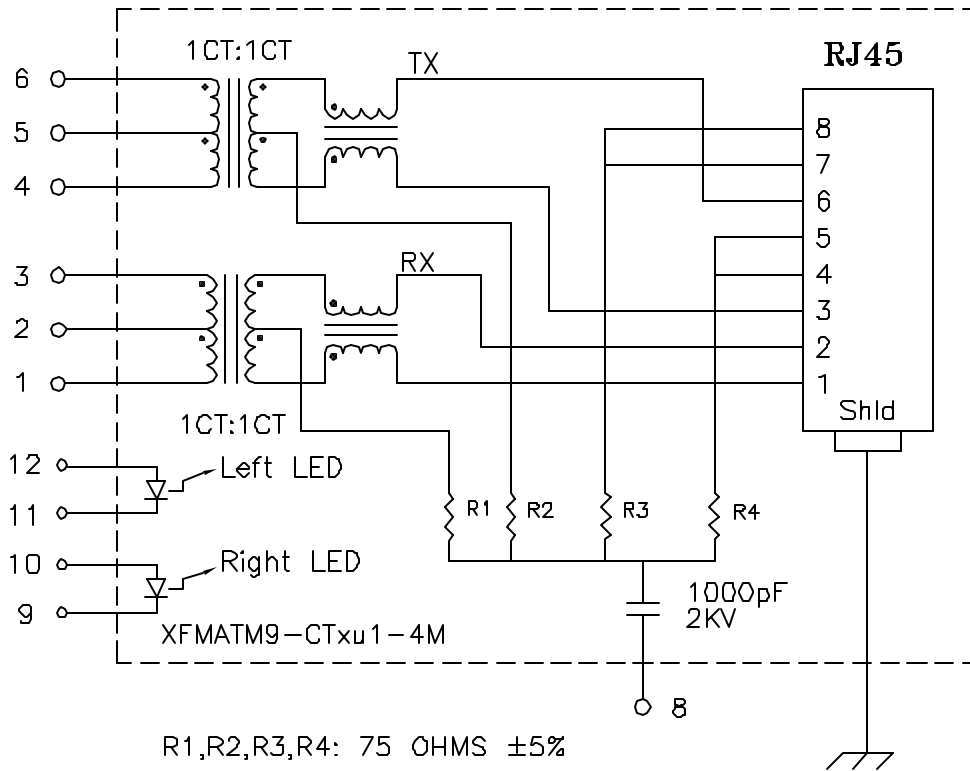


Schematic:



Electrical Specifications: @25°C

- Isolation Voltage: 1500 Vrms (Input to Output)
- Isolation Voltage: 500 Vrms (P1+2+3 to P4+5+6)
- Turns Ratio: TX 1CT:1CT ±3% RX 1CT:1CT ±3%
- CABLE SIDE OCL: 350uH Minimum @100KHz 100mV 8mADC
- Q: 16 Minimum @100KHz 100mV
- Cw/w: 27pF Typical @100KHz 100mV
- Insertion Loss (300KHz-100MHz): -1.0dB Maximum
- Return Loss: @30MHz -18dB Typ
@80MHz -12dB Typ

Notes:

1. Solderability: Leads shall meet MIL-STD-202G, Method 208H for solderability.
2. Flammability: UL94V-0
3. ASTM oxygen Index: > 28%
4. Insulation System: Class F 155°C. UL file E151556
5. Operating Temperature Range: All listed parameters are to be within tolerance from -40°C to +85°C
6. Storage Temperature Range: -55°C to +125°C
7. Aqueous wash compatible
8. Electrical and mechanical specifications 100% tested
9. RoHS Compliant Component
10. 15u Inches of Gold Plating

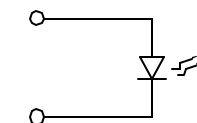
Complete the Combo P/N as follows:

Replace 'x' & 'u' in the part number with one of the LED color letters:

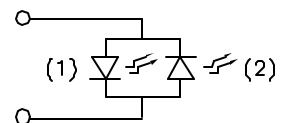
- Y=Yellow
- G=Green
- A=Amber
- R=Red
- 'x' = Left LED Color
- 'u' = Right LED Color

- C=Green(1)/Amber(2) Bicolor
- D=Amber(1)/Green(2) Bicolor
- M=Green(1)/Yellow(2) Bicolor
- N=Yellow(1)/Green(2) Bicolor
- P=Red(1)/Green(2) Bicolor
- Q=Green(1)/Red(2) Bicolor

Single Color LED:



Bi-Color LED:



DOC REV: A/1

XFMRS Inc.

www.XFMRS.com

UNLESS OTHERWISE SPECIFIED

TOLERANCES:

.xxx ±0.010

Dimensions in Inch

SHEET 1 OF 2

Title:

SINGLE PORT COMBO TAB UP

P/N: XFMATM9-CTxu1-4M

REV. A

DWN.

Juan Mao

Sep-05-08

CHK.

YK Liao

Sep-05-08

APP.

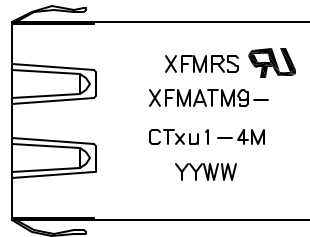
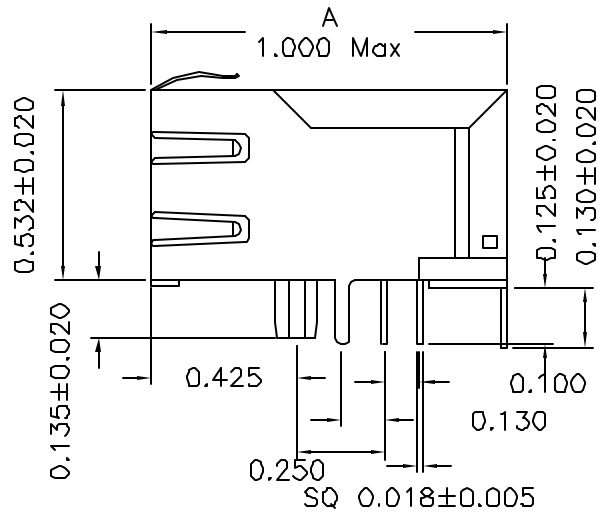
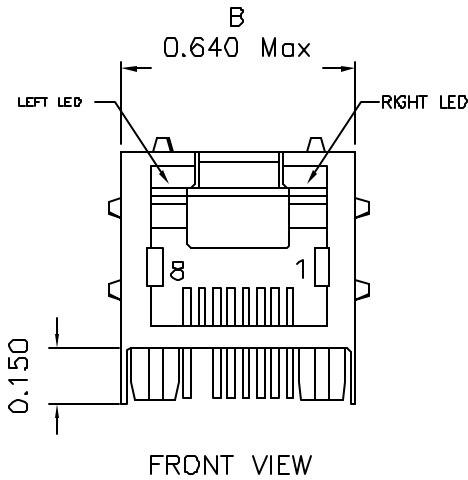
YK Liao

Sep-05-08

PROPRIETARY:

Document is the property of XFMRS Group & is not allowed to be duplicated without authorization.

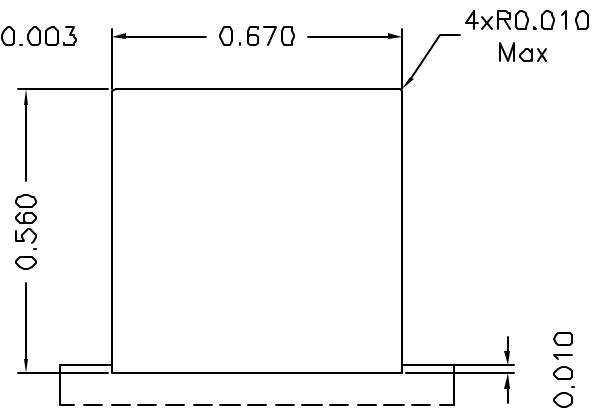
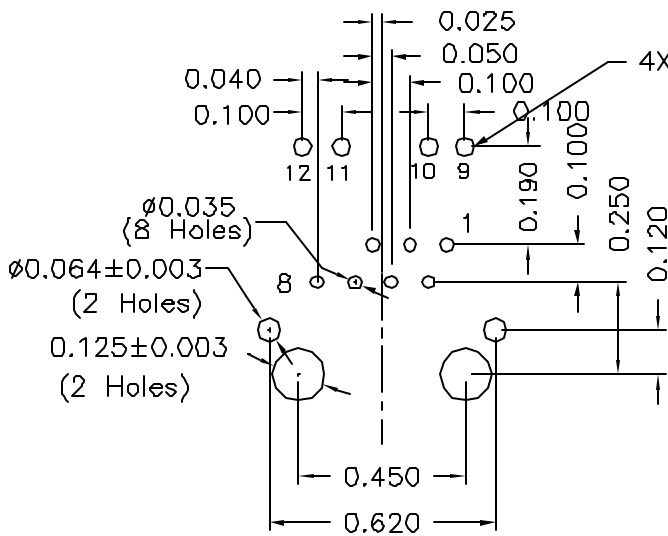
Mechanical Dimensions:



TOP VIEW

*Removed Pin7#

Mounting Pattern:



FACE VIEW
RECOMMENDED PANEL CUTOUT

DOC REV: A/1

| | | | |
|----------------------------------|---|-----------------------|-----------|
| XFMR Inc. www.XFMR.com | Title: Mechanical Dimensions For TAB UB RJ45 COMBO | | |
| | UNLESS OTHERWISE SPECIFIED TOLERANCES: .xxx ± 0.010 Dimensions in Inch | P/N: XFMATM9-CTxu1-4M | REV. A |
| | DWN. | Xiany | Sep-05-08 |
| | CHK. | YK Liao | Sep-05-08 |
| SHEET 2 OF 2 | APP. | BW | Sep-05-08 |

PROPRIETARY:

Document is the property of XFMR Group & is not allowed to be duplicated without authorization.