

HF3504 / HF3507

WIPER INTERMITTENT CONTROLLER



Typical Applications

Wiper intermittent control

Features

- Solid base design, stable structure
- Surface mounting technology, advanced craftwork
- Ingress protection: IP50

TYPE

Type	Nominal voltage	Operating voltage range	Nominal motor load	Dimensions	Control mode
HF3504 /12-G	12VDC	9VDC to 16VDC	50W	(30 × 30 × 40)mm	Microcontroller
HF3504A /12-G	12VDC	9VDC to 16VDC	50W	(30 × 30 × 30)mm	Microcontroller
HF3507 /12-G	12VDC	9VDC to 16VDC	50W	(30 × 30 × 40)mm	Separated chip
HF3507 A/24-G	24VDC	18VDC to 32VDC	80W	(30 × 30 × 40)mm	Separated chip

CHARACTERISTICS

Wiping time	HF3504: 3.5s + 2.5s	Vibration resistance	Sine	10Hz to 200Hz 49m/s ²
	HF3507: 3s+3s		Random	10Hz to 1000Hz 19.6m/s ²
Intermittent time	5.5s ± 1.5s	Shock resistance	196m/s ²	
Electrical endurance	1×10 ⁵ OPS (nominal motor load)	Weight	Approx. 28g	
Internal voltage drop	150mV max. (at 5A)	Mechanical data	Cover retention: 160N min.	
Ambient temperature	-40°C to 85°C		Terminal retention: 100N min.	

ORDERING INFORMATION

Type	HF3504 / HF3504A / HF3507 / Suffix(A-Z) is for specific extending application	12	-G	-B	(XXX)
Nominal voltage	12: 12VDC	24: 24VDC			
Trigger level	G: High level start-up	L: Low level start-up			
Packing style	B: With bracket	Nil: Without bracket			
Special code ¹⁾	XXX: Customer special requirement	Nil: Standard			

Notes: 1) The customer special requirement express as special code after evaluating by Hongfa.

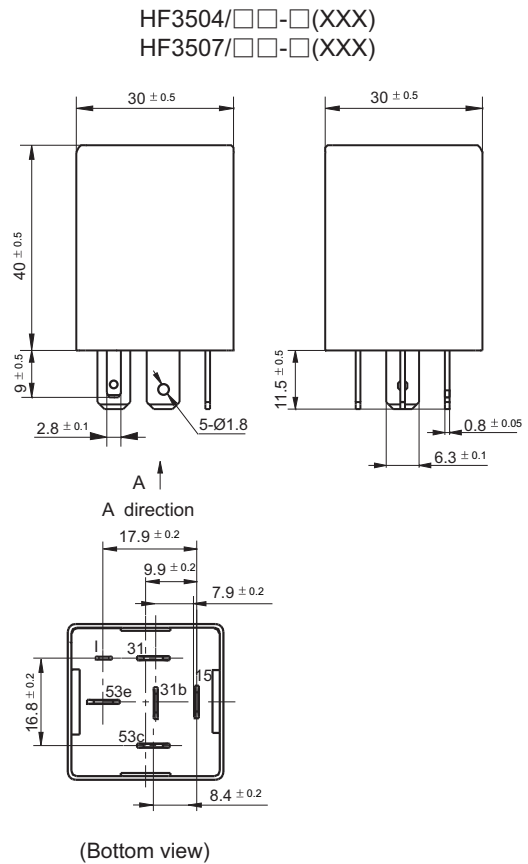
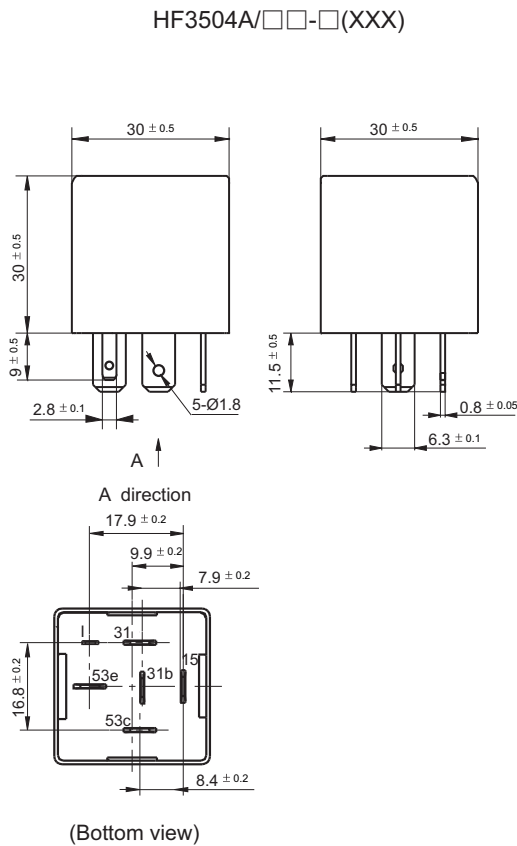


HONGFA RELAY

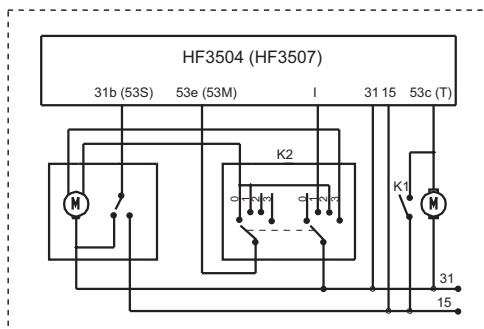
ISO9001, ISO/TS16949, ISO14001, OHSAS18001, IECQ QC 080000 CERTIFIED

2015 Rev. 1.00

Outline Dimensions



Wiring Diagram



- 1) As shown on left circuit, the terminal 15 is connected with positive electrode of power supply, terminal 31 is connected with negative electrode of power supply, the terminal I and 53e are connected with combined switch, the terminal 31b is connected with wiper motor switch, the terminal 53c is connected with washing bump switch.
- 2) Intermit wiping, when combined switch K2 is at position 1, the terminal I will receive 12V voltage, the internal relay will start function, the terminal 53e and 15 will be connected, the wiper motor will start to work, when terminal 31b receive the feedback signal from 0V, the internal relay will release and the terminal 53e and 15 will be opened, the wiper motor will stop. The above process will repeat after $5.5s \pm 1.5s$.
- 3) Washing wiping, when K1 is closed, the terminal 53c will receive 12V voltage, the internal relay will start function, the terminal 53e and 15 will be connected, the wiper motor will start to work, when K1 is opened and delayed for $3.5s + 2.5s$ or $3s + 3s$, the internal relay will release and the wiper motor will stop and will remain at stop position.

Disclaimer

The specification is for reference only. See to "Terminology and Guidelines" for more information. Specifications subject to change without notice. In case there is specific criterion (such as mission profile, technical specification, PPAP etc.) checked and agreed by and between customer and Hongfa, this specific criterion should be taken as standard regarding any requirement on Hongfa product. We could not evaluate all the performance and all the parameters for every possible application. Thus the user should be in a right position to choose the suitable product for their own application. If there is any query, please contact Hongfa for the technical service. However, it is the user's responsibility to determine which product should be used only.

© Xiamen Hongfa Electroacoustic Co., Ltd. All rights of Hongfa are reserved.