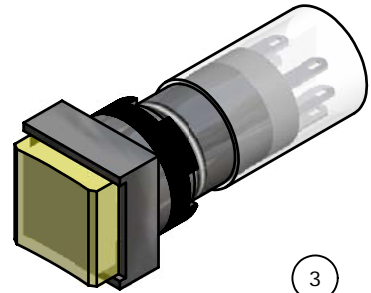
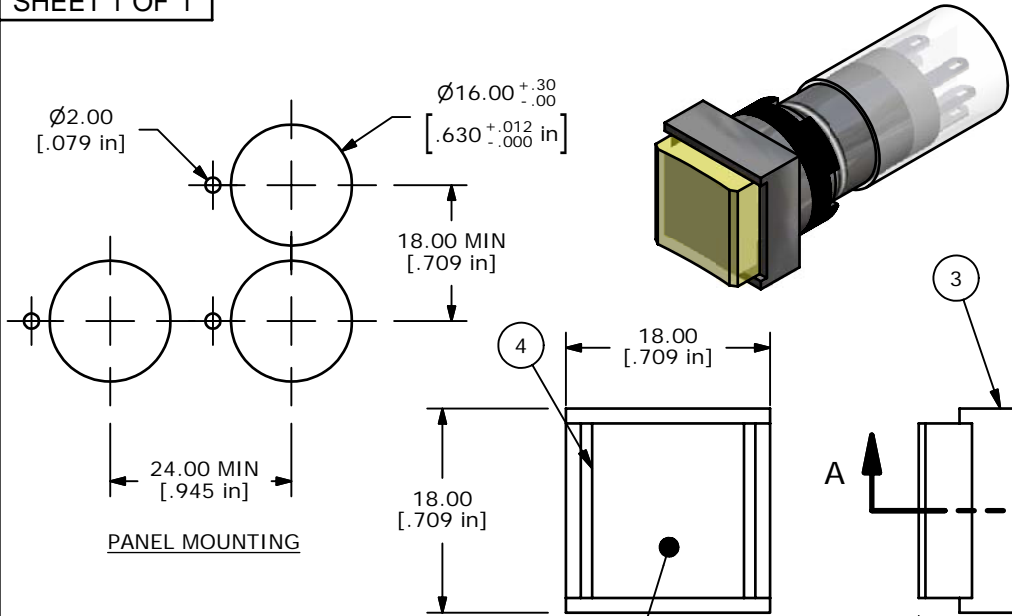
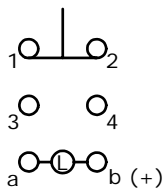


ITEM	QTY	PART NUMBER	DESCRIPTION
1	1	F051601	P16 PLASTIC TERMINAL PROTECTOR
2	1	F050424	50-004-24 24V YEL LED
3	1	F040011	P16EES11
4	1	F050306	50-003-06 CONCAVE YEL LENS



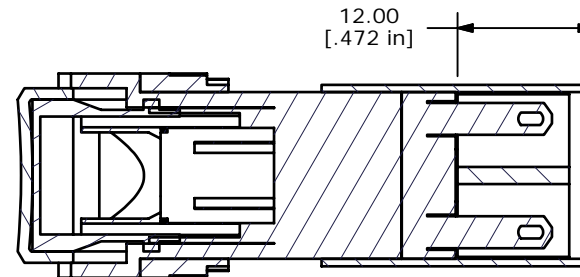
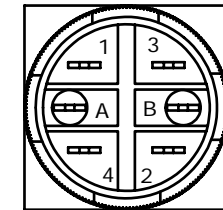
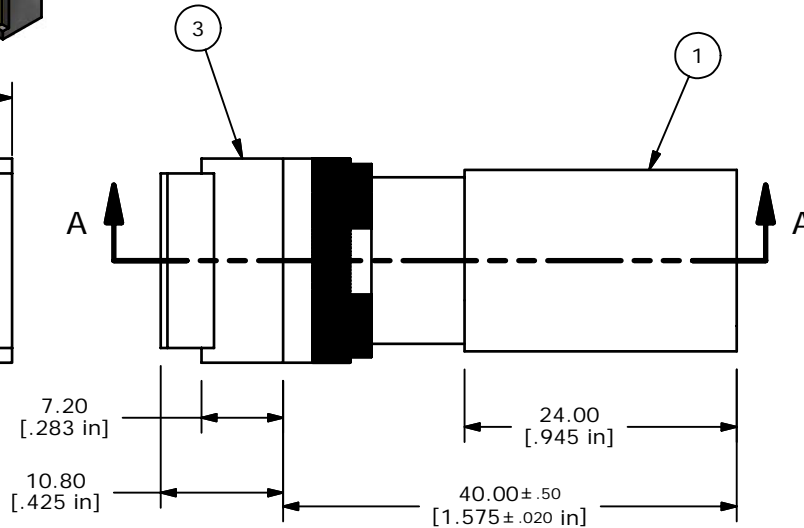
PANEL MOUNTING



SPDT CONTACT CONFIGURATION

NOTE:

1. ALL DIMENSIONS IN MM [INCH]
2. GENERAL TOLERANCE: X.X=±0.4
X.XX=±0.25
3. TERMINAL NUMBERS FOR REF ONLY
4. CONTACT RATING: 5A@ 250VAC
6A@ 240VDC
5. ELECTRICAL LIFE: 50,000 OPERATIONS
6. INSULATION RESISTANCE: 1,000 MEGA-OHM MIN.
7. OPERATING TEMP.: -25°C to 55°C
- ▲ 8. LAMP VOLTAGE: 24VDC LED
9. ▲ DENOTES CRITICAL PARAMETER.



SECTION A-A
SCALE 1.50 : 1



A	15400	RELEASED FOR PRODUCTION	10/21/05	PH
REV	PCR NO	DESCRIPTION	DATE	BY

TITLE P16EES11KYELYEL				
SCALE 2:1	DATE 10/21/2005	DR PH	DWG XF0654P	REV A

THE INFORMATION CONTAINED IN THIS DOCUMENT IS PROPRIETARY TO E-SWITCH AND IS NOT TO BE COPIED OR TRANSFERRED