

CTP4018F Series

From 1.0 μH to 100 μH



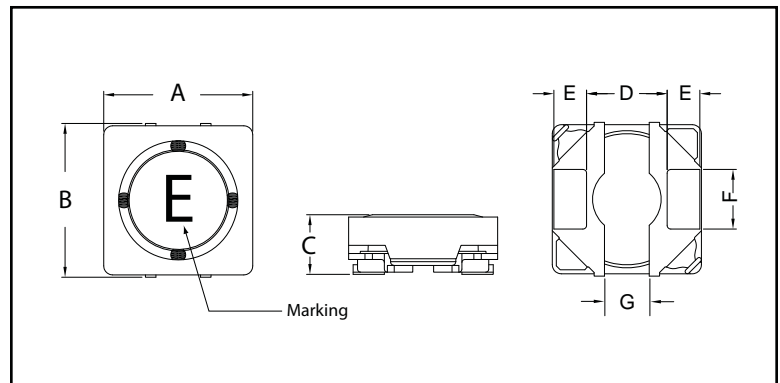
SPECIFICATIONS

Part numbers indicate available inductance tolerance:
M = $\pm 20\%$, N = $\pm 30\%$

Part Number	Marking	Inductance (μH)	L Test Freq. (KHz)	DCR ($\text{m}\Omega$) $\pm 20\%$	IDC1 (A)	IDC2 (A)
CTP4018F-1R0N	A	1.0	100	41	2.70	2.40
CTP4018F-1R2N	B	1.2	100	46	2.30	2.20
CTP4018F-1R5N	C	1.5	100	51	2.10	2.00
CTP4018F-1R8N	D	1.8	100	55	2.00	1.90
CTP4018F-2R2N	E	2.2	100	59	1.90	1.85
CTP4018F-2R7N	F	2.7	100	67	1.60	1.70
CTP4018F-3R3N	G	3.3	100	74	1.40	1.60
CTP4018F-3R9N	H	3.9	100	82	1.30	1.50
CTP4018F-4R7M	I	4.7	100	99	1.20	1.35
CTP4018F-5R6M	J	5.6	100	110	1.10	1.25
CTP4018F-6R8M	K	6.8	100	130	1.00	1.20
CTP4018F-8R2M	L	8.2	100	140	0.90	1.10
CTP4018F-100M	M	10	100	150	0.85	1.00
CTP4018F-120M	N	12	100	220	0.80	0.95
CTP4018F-150M	O	15	100	240	0.70	0.90
CTP4018F-180M	P	18	100	260	0.65	0.85
CTP4018F-220M	Q	22	100	370	0.55	0.75
CTP4018F-270M	R	27	100	420	0.50	0.70
CTP4018F-330M	S	33	100	480	0.45	0.60
CTP4018F-390M	T	39	100	520	0.43	0.55
CTP4018F-470M	U	47	100	620	0.40	0.50
CTP4018F-101M	Y	100	100	1780	0.30	0.35

PHYSICAL DIMENSIONS

Size	A	B	C Max.	D Typ.	E Typ.	F Typ.	G Typ.
mm	4.0 \pm 0.2	4.0 \pm 0.3	1.8	2.1	0.96	1.6	1.1
inches	0.16 \pm 0.008	0.16 \pm 0.012	0.070	0.082	0.037	0.063	0.043



CHARACTERISTICS

Description: SMD Shielded Power Inductor

Applications: Mainly used as a power source inductor for mobile phones, HDDs, LCD panels and DSCs.

Operating Temperature: -40°C to +105°C (includes self temp. rise)

IDC1: Based on inductance change ($\Delta L/L_0 \leq 30\%$) at ambient temp. 25°C

IDC2: Based on temperature rise ($\Delta T: 40^\circ\text{C Typ.}$)

Rated Current: IDC1 or IDC2, whichever value is lower.

Resistance to Solder Heat: 260°C 10 secs.

Inductance Tolerance: $\pm 20\%$, $\pm 30\%$

Testing: Inductance is tested on an HP4284A at 100KHz, 0.1V

Packaging: Tape & Reel

Marking: Parts are marked with letter identifier.

Miscellaneous: **RoHS Compliant.**

Additional Information: Additional electrical & physical information available upon request.

Samples available. See website for ordering information.

PAD LAYOUT

