

LOC	DIST	REVISIONS					
		P	LTR	DESCRIPTION	DATE	DWN	APVD
-	-		A	REVISED PER ECR-14-007794	29MAY2014	RS	EC
			B	ECO-15-015144: ADD UL.	20NOV2015	EC	EC

SAFETY ORGANIZATIONS

THIS FILTER HAS BEEN FORMALLY RECOGNIZED, CERTIFIED OR APPROVED BY THE LISTED AGENCY. THEREFORE, ALL TEST/REQUIREMENTS SPECIFIED IN THE LATEST REVISION OF THE FOLLOWING AGENCY STANDARDS HAVE BEEN MET:

UL

OPERATING SPECIFICATIONS

LINE CURRENT/VOLTAGE: 1000 A, 690VAC
 LINE FREQUENCY: 50-60 Hz
 NOMINAL LEAKAGE CURRENT: 20 mA
 MAXIMUM LEAKAGE CURRENT: 390mA @ 400V, 50HZ
 OPERATING AMBIENT TEMPERATURE RANGE @ RATED CURRENT, I : -10°C TO +50°C

IN AN AMBIENT, T, HIGHER THAN 50°C, THE MAXIMUM OPERATING CURRENT, I, IS AS FOLLOWS:

$$I_o = I_r \sqrt{\frac{100 - T_o}{50}}$$

RELIABILITY SPECIFICATIONS

STORAGE TEMPERATURE: -40°C TO +85°C
 HUMIDITY: 21 DAYS @ 40°C 95% RH.

TEST SPECIFICATIONS

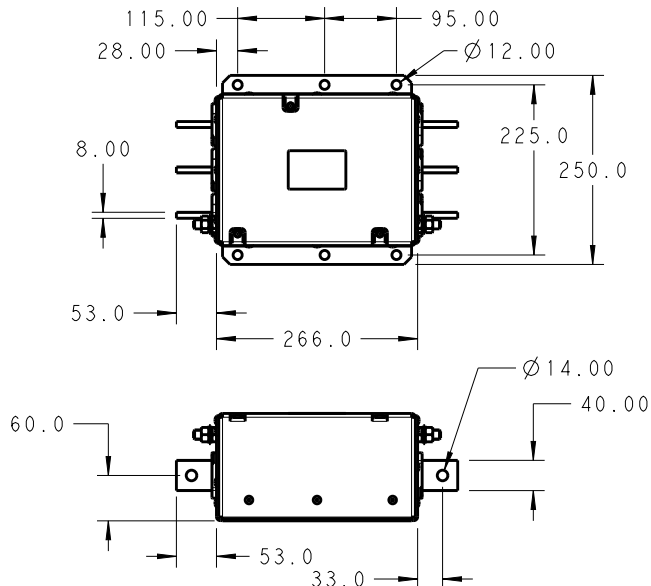
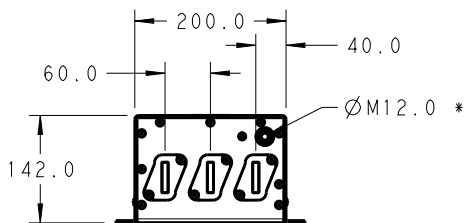
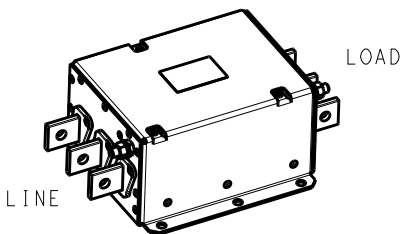
INDUCTANCE, NOMINAL: 36.4 μH
 CAPACITANCE AT 1KHz, 0.25 VAC MAX., 25°C±1°C
 LINE TO GROUND, NOMINAL: 3.1 μF
 LINE TO LINE, NOMINAL: 7.0 μF
 DISCHARGE RESISTOR L/G AND L/L I.R. 1000 kOhm / 1000 kOhm
 IR (NO DISCHARGE RESISTOR) 20°C, 50% RH AND 100VDC, MIN: 6000 MΩ

RECOMMENDED RECEIVING INSPECTION HIPOT

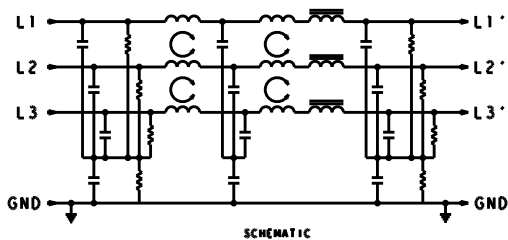
LINE TO GROUND FOR 1 MINUTE: 2640 VDC
 LINE TO LINE FOR 1 MINUTE: 2520 VDC

FILTER APPROVAL:

THE BEST WAY TO SELECT AND QUALIFY A FILTER IS FOR YOUR ENGINEERING TO TEST THE UNIT IN YOUR EQUIPMENT.



* DO NOT LOOSEN INNER GROUND NUTS. TORQUE OUTER GROUND NUTS TO: 25-30 NM [220-260 IN-LB]



TYPICAL INSERTION LOSS
 COMMON MODE 50/50Ω; DIFFERENTIAL MODE 100/100Ω

MHz	0.01	0.05	0.15	0.5	1.0	3.0	5.0	10	30
CM	13	30	60	90	82	80	64	40	19
DM	27	41	55	52	44	33	30	24	16

20

RELEASED FOR PUBLICATION

ALL RIGHTS RESERVED.

BY -

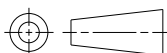
© COPYRIGHT 20

DIMENSIONS:

mm

TOLERANCES UNLESS OTHERWISE SPECIFIED:

0 PLC	±2.0
1 PLC	±1.0
2 PLC	±0.50
3 PLC	±0.200
4 PLC	±0.1000
ANGLES	±



DWN 19DEC2013

RS

CHK 19DEC2013

EC

APVD 19DEC2013

EC

PRODUCT SPEC

-

APPLICATION SPEC

-

WEIGHT

-

MATERIAL

-

FINISH

-



TE Connectivity

NAME

1000APS12P
 3-PHASE DELTA FILTER

SIZE

A4

CAGE CODE

00779

DRAWING NO

C=5-1609114-2

RESTRICTED TO

-

Customer Drawing

SCALE

1:1

SHEET

1

OF

1

REV

B