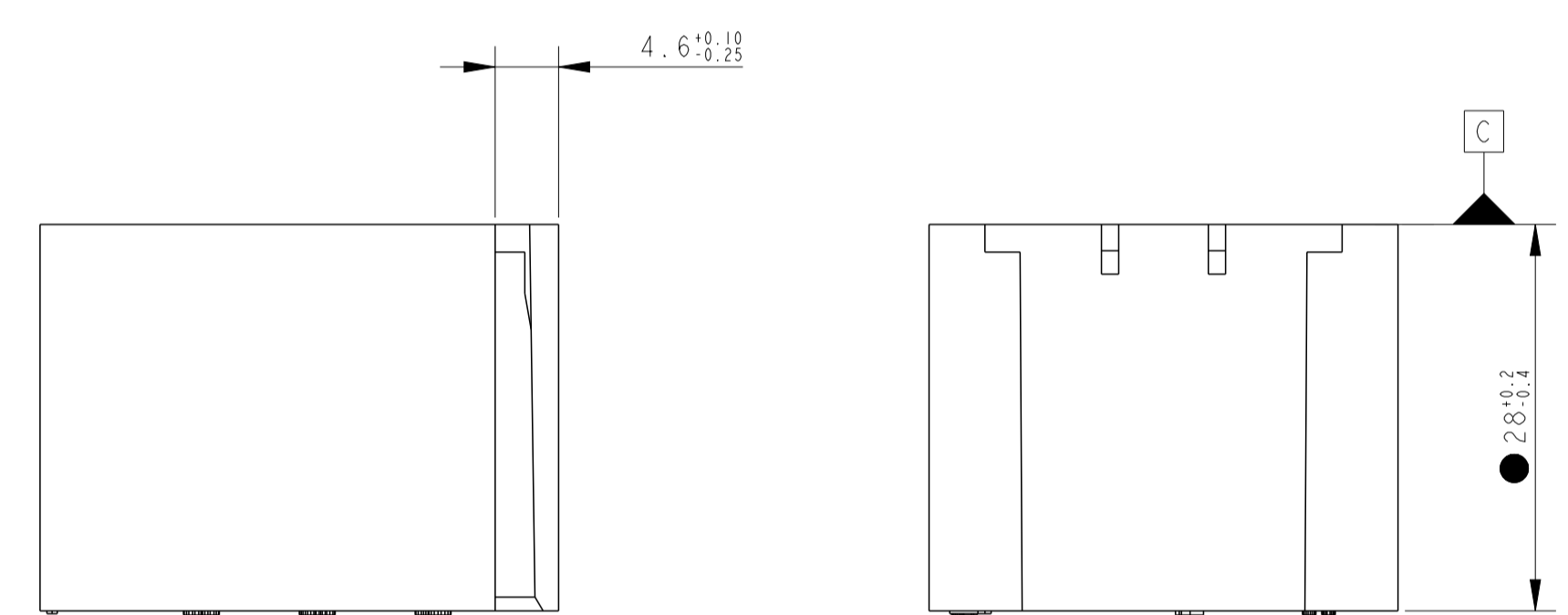
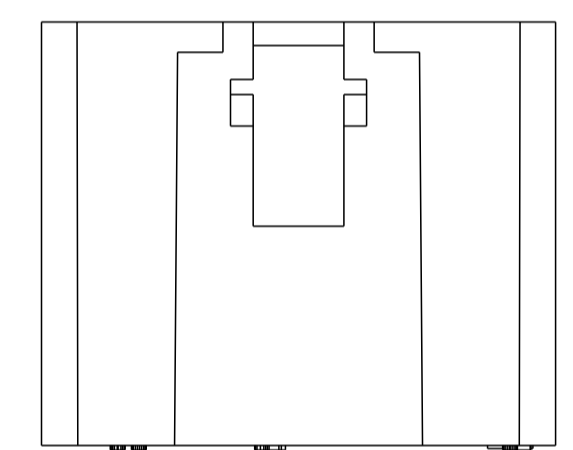
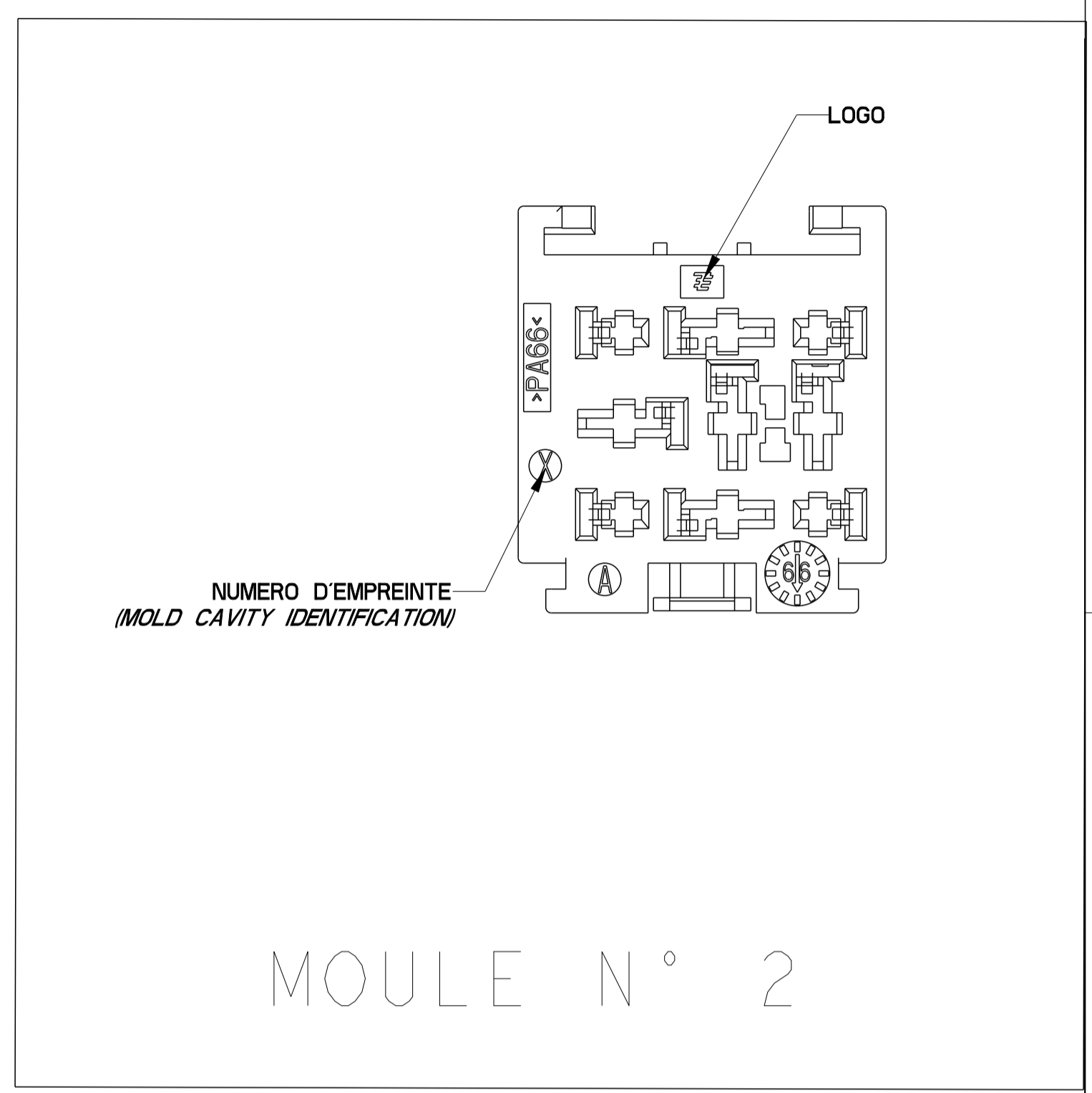
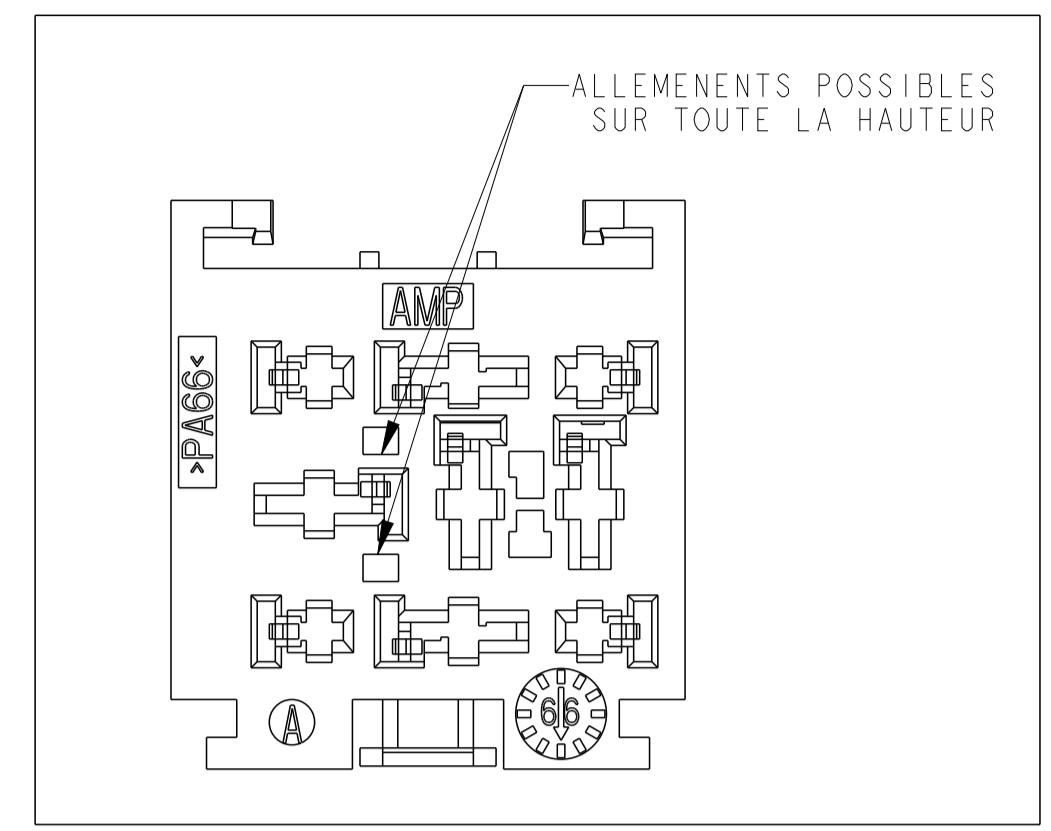
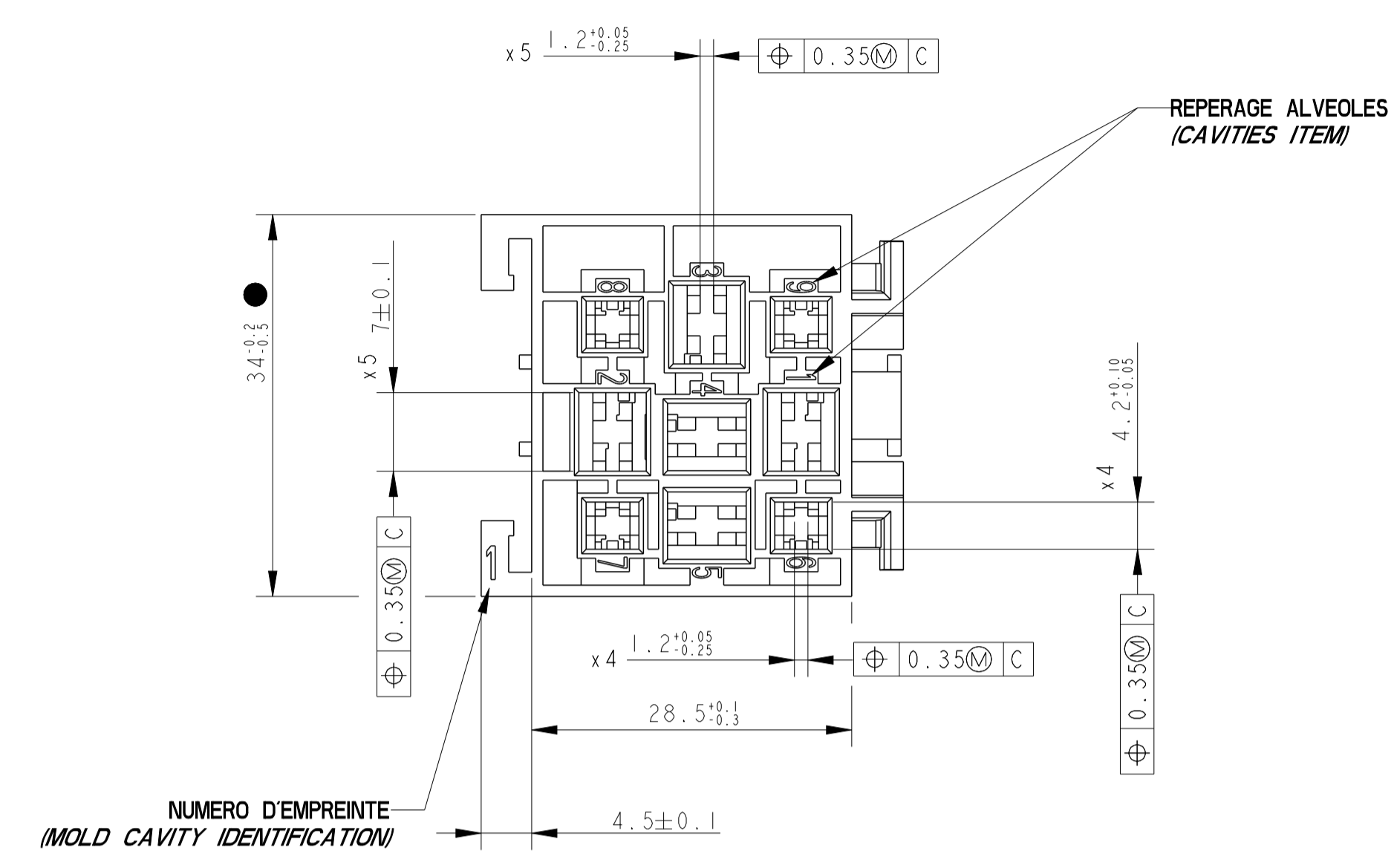


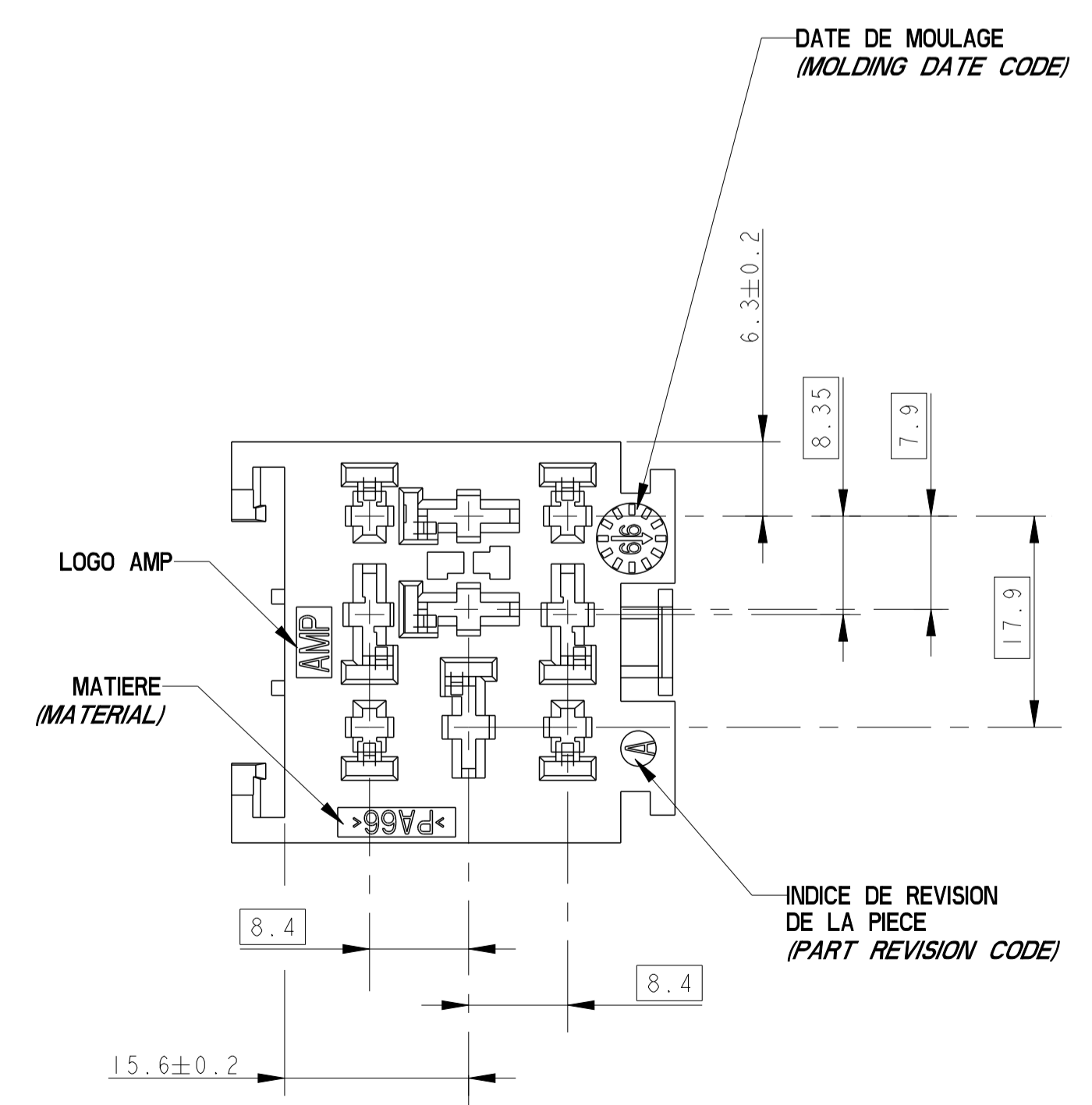
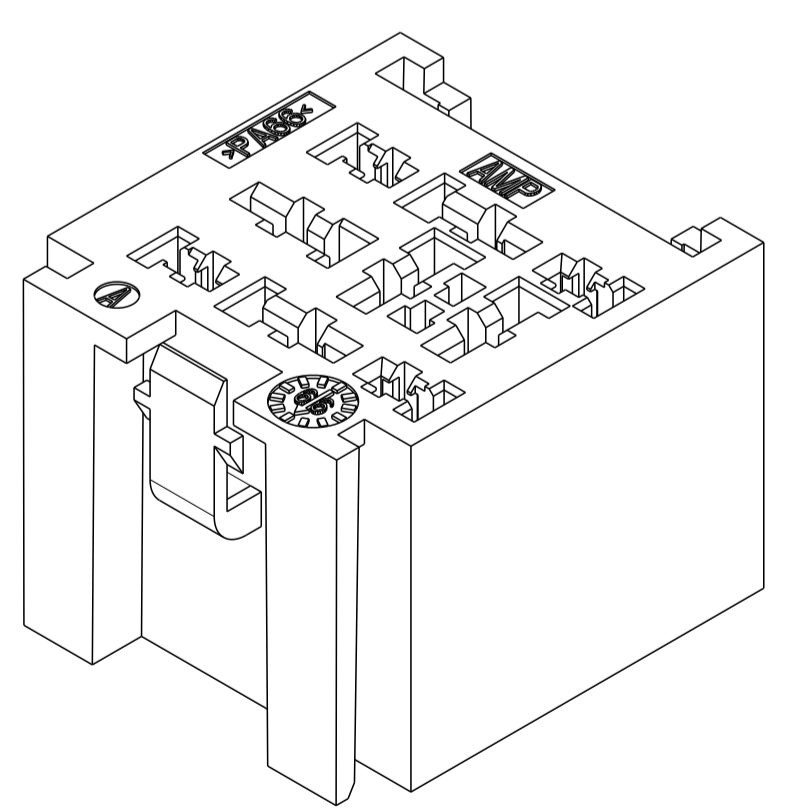
LOC		DIST		REVISIONS			
F	00	P	LTN	DESCRIPTION	DATE	DWN	APVD
		REV		MODIFICATIONS		DESS.	APP.
		A		INITIAL RELEASE	08APR2013	CS	JPP



● COTE CAPABILITE MACHINE
 MOLD CAPABILITY DIMENSION

MARRON (BROWN)	PA 6.6	185403-4
GRIS (GREY)	PA 6.6	185403-3
NOIR (BLACK)	PA 6.6	185403-2
CRISTAL (NATUREL) (CRYSTAL (NATURAL))	PA 6.6	185403-1
COULEUR (COLOR)	MATIERE (MATERIAL)	REF TE (TE PN)

COMPOSANTS ASSOCIES (APPLIED COMPONENTS)	
DESIGNATION (DESCRIPTION)	Ref TE (TE PN)
JPT 0.35-1mm ²	144431-1
JPT 1-3mm ²	144432-1
SPT 0.5-1mm ²	927831-2
SPT 1-3mm ²	144617-1
SPT 3-5mm ²	144433-1
SPT 5-7mm ²	144434-1



OUTIL EXTRACTEUR DE CLIPS:
 (RECEPTACLE EXTRACTION TOOL)

- Pour alveole Relais 2.8 Ref:951746-1 (FOR RELAY CAVITY)
- Pour alveole Relais 6.35 Ref:951745-1 (FOR RELAY CAVITY)

THIS DRAWING IS A CONTROLLED DOCUMENT. CE PLAN EST UN DOCUMENT CONTROLÉ PAR TIVO ELECTRONICS - IL EST PROPRIÉTÉ DE TIVO PERIS - CONSULTER LE SERVICE TECHNIQUE DE TIVO ELECTRONICS POUR OBTENIR LA DERNIÈRE RÉVISION.		DWN /DESIGNER: C. SALGADO 08MAR2013	TE Connectivity	
DIMENSIONS: mm		CHK /PREPARE: JP PICAUD 08MAR2013	NAME: MODULE UNITAIRE 5+4 VOIES	
TOLERANCES UNLESS OTHERWISE SPECIFIED: DECIMALS: ±0.2		APVD /APPROVE:	PRODUCT SPEC: 108-15131	
ANGLES: 5°		SPEC. PRODUCT: 108-15131		
MATERIAL /MATIERE: (SEE TABLE)		APPLICATION SPEC: 411-1551		
FINISH /FINITION: (SEE TABLE)		WEIGHT /MASSE APPROX.: 17g		
Customer Drawing		UNIFORMITY /PLAN CLIENT: 00779		
SCALE: 2:1		SHEET: 1 OF 1		