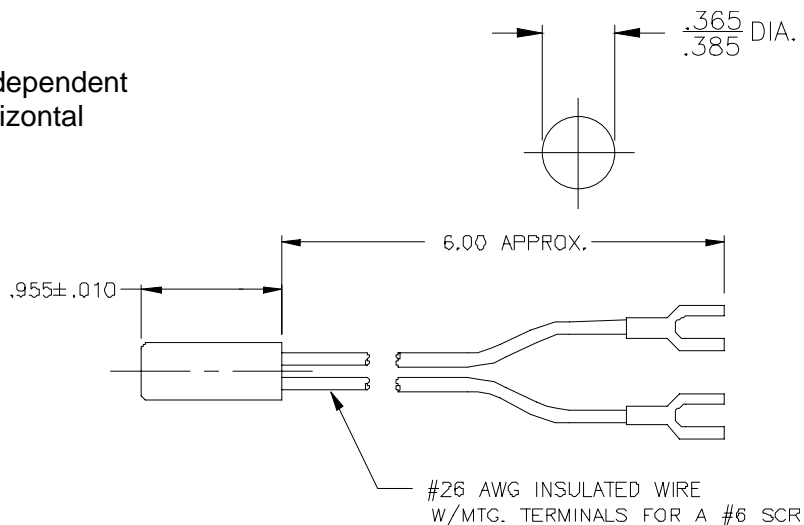


Part No: A1/2-001 – A1/2 Series Tilt Switch - Mercury



- Features:**
- * Insulated
 - * Form: NO/NC/SPST/Mount dependent
 - * Angles Referenced from Horizontal
 - * Hermetically Sealed
 - * Small Package Size
 - * Narrow Included Angle
 - * High Current Capability
 - * Low Contact Resistance
 - * Long Life



Drawing dimensions in inches.

Tilt switches “make” when the electrode is tilted below horizontal and “break” when tilted above the horizontal. Total travel from “make” to “break” is the “Maximum included angle” shown below. The component to which the switch is attached must have a total tilt angle greater than the “Maximum included angle” for proper operation.

Maximum included Angle* :	15°
	* Switching occurs when body axis is near horizontal
Switch Ratings:	
Max Switching Voltage	240V
Max Switching Current	120VAC / 1A: 240VAC / 0.4A, 120VDC /0.5A: 240VDC / 0.4A. Tungsten 120V / 60W
Initial Contact Resistance (Max).	80 milli Ohms
Stand Off Voltage (contact to contact)	1250V
(contact to ground)	1500V
Operating Temperature	-38° to 220° F / -38° to 105° C
Storage Temperature	-40° to 356° F / -40° to 180° C
Typical number of operations at specified load	10,000,000
G-Force Activation G-Level/Range	N/A
Dimensions:	
Weight per 100pcs. Lbs / Kgs:	0.99 / 0.45
Body Length (less leads). Inches / Millimeters:	0.96 / 24.4
Maximum Diameter. Inches / Millimeters:	0.38 / 9.5
Materials:	
Lead Wire Type	#26AWG PVC Insulated
Lead wire length/skive/termination	6 inches, spade terminals #6 screw
Finish:	Case: PBT (30% Glass Filled)
Clip:	Use P/N 0164 Mounting Clip



© American Electronic Components Inc 2006

American Electronic Components Inc.,
1101 Lafayette Street, Elkhart, Indiana. USA
Tel: +1-574-295-6330 Fax: +1-574-293-8013
Email: sales@aecsensors.com
<http://www.aecsensors.com>