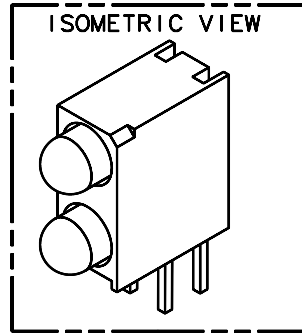
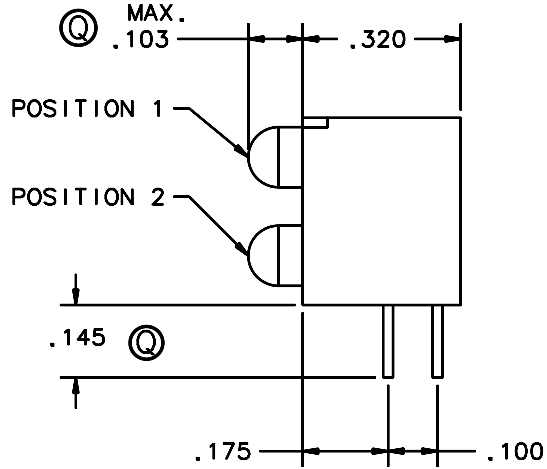
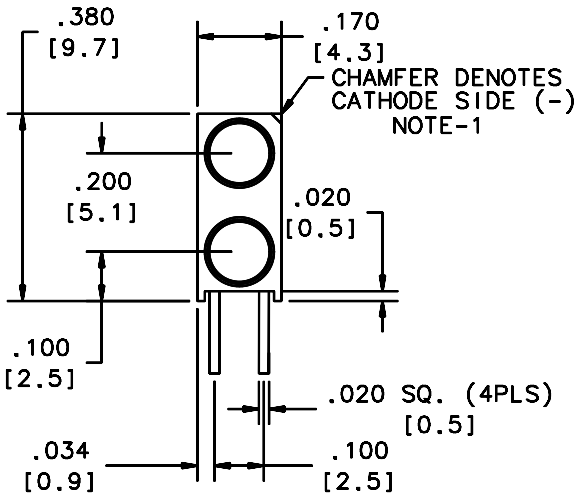


NOTES:

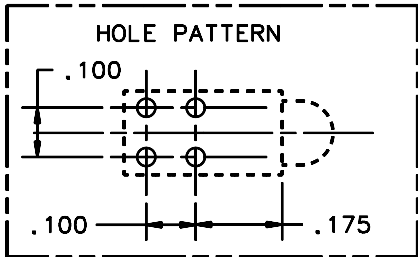
- 1-ON THE BI-COLOR MODELS THE CATHODE SIDE IS RED/YEL CATHODE.
- 2-MATL: BLACK RYNITE



REVISIONS			
REV	ECR NO	DESCRIPTION	DATE
		NEW RELEASE	2/8/02



MODEL NO.	POSITION 1 LED P/N	POSITION 2 LED P/N	OUTPUT COLOR
553-0111	4303F1	4303F1	RED RED
553-0122	4303F5	4303F5	GREEN GREEN
553-0133	4303F7	4303F7	YELLOW YELLOW
553-0711	4301F1/5-A	4301F1/5-A	RED/GRN RED/GRN
553-0744	4301F25/27	4301F25/27	YEL/GRN YEL/GRN



DIM ARE IN INCHES THIS DWG IS THE PROPERTY OF CHICAGO MINIATURE LAMP, INC AND IS PROPRIETARY IN GENERAL AND IN DETAIL. IT SHALL NOT BE COPIED OR ITS CONTENTS REVEALED TO OUTSIDE PARTIES WITHOUT THE WRITTEN CONSENT OF CHICAGO MINIATURE LAMP, INC	(Q) FOR INSPECTION USE ONLY (X) SPC DOCUMENTATION REQ. (X R CHARTS)		
	DRAWN BY JL	DATE 2/02	PART NO
	CHECKED BY	DATE	MODEL NO SEE TABLE
	ENG. APPRV.	DATE	MOLD NO
	UNLESS OTHERWISE SPECIFIED TOLERANCES ON: .XX ±.015 .XXX ±.010 ANGLE +/- 1 DEG.		MATERIAL NOTE-2


CHICAGO MINIATURE LAMP, INC
 147 CENTRAL AVE. HACKENSACK, NJ 07601
TITLE
 BI-LEVEL LED INDICATOR
DIST. S **DWG NO B17222** **REV**
SCALE 4:1 **SHEET**

SDRC FILE NAME:553SERIES.MF1